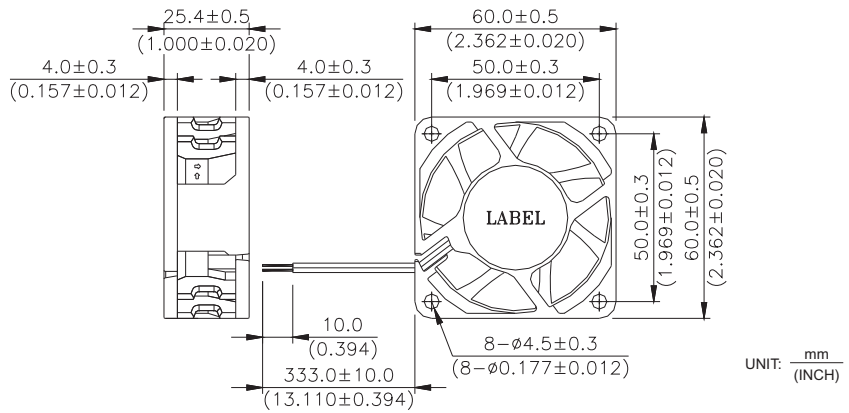


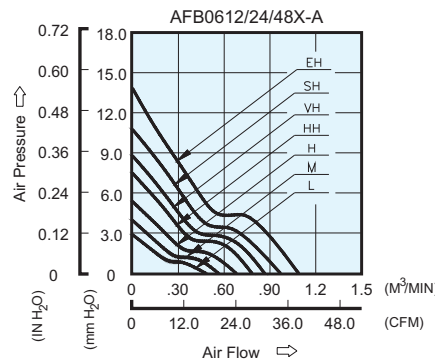
# AFB 60 x 60 x 25.4 MM SERIES

## DIMENSIONS DRAWING

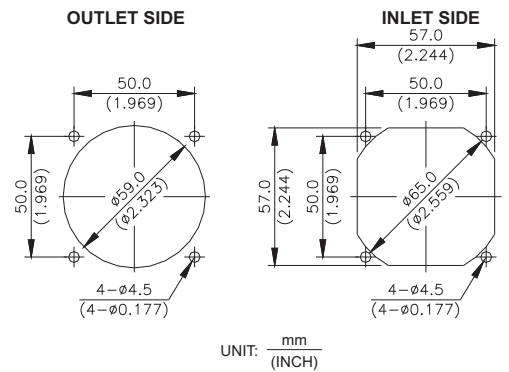


- \* Bearing Type  
Ball Bearings
- \* Material  
Impeller & Frame : Plastic (UL 94V-0)
- \* Lead Wires :  
UL 1007 AWG #24 OR Equivalent  
Red Wire Positive (+)  
Black Wire Negative (-)
- \* Weight : 80g (2.82 oz)

## P & Q CURVE (AT RATED VOLTAGE)



## MOUNTING PANEL CUTOUT

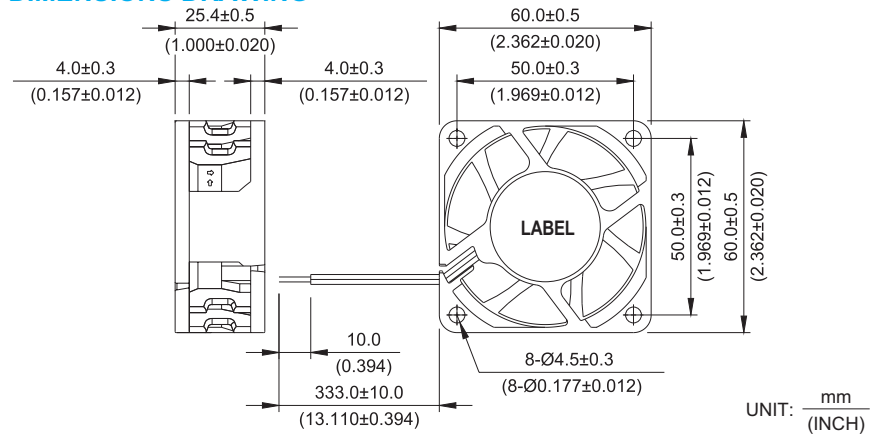


MODEL			Rated Voltage	Operating Voltage Range	Input Current	Input Power	Speed	Maximum Air Flow		Maximum Air Pressure		Noise
PART NO.	REV.	FUNCTION	VDC	VDC	Amp	Watt	R.P.M.	m <sup>3</sup> /min	CFM	mmH <sub>2</sub> O	IN H <sub>2</sub> O	dB-A
AFB0612L	-A	R00/F00	12	4.0 to 13.8	0.08	0.96	3100	0.476	16.81	2.86	0.113	26.5
AFB0624L	-A	R00/F00	24	14.0 to 27.6	0.06	1.44						
AFB0612M	-A	R00/F00	12	4.0 to 13.8	0.13	1.56	3600	0.560	19.78	3.93	0.155	31.0
AFB0624M	-A	R00/F00	24	14.0 to 27.6	0.07	1.68						
AFB0612H	-A	R00/F00	12	4.0 to 13.8	0.14	1.68	4250	0.662	23.38	5.35	0.211	34.0
AFB0624H	-A	R00/F00	24	14.0 to 27.6	0.09	2.16						
AFB0612HH	-A	R00/F00	12	4.0 to 13.8	0.17	2.04	5000	0.780	27.55	7.47	0.294	40.0
AFB0624HH	-A	R00/F00	24	14.0 to 27.6	0.11	2.64						
AFB0648HH	-A	R00/F00	48	20.0 to 56.0	0.08	3.84						
AFB0612VH	-A	R00/F00	12	4.0 to 13.8	0.23	2.76	5500	0.863	30.48	8.76	0.345	42.5
AFB0624VH	-A	R00/F00	24	14.0 to 27.6	0.14	3.36						
AFB0648VH	-A	R00/F00	48	20.0 to 56.0	0.09	4.32	6000	0.967	34.15	10.73	0.422	44.5
AFB0612SH	-A	R00/F00	12	4.0 to 13.8	0.27	3.24						
AFB0624SH	-A	R00/F00	24	14.0 to 27.6	0.17	4.08						
AFB0648SH	-A	R00/F00	48	20.0 to 56.0	0.11	5.28	6800	1.086	38.35	13.81	0.544	46.5
AFB0612EH	-A	R00/F00	12	4.0 to 13.8	0.38	4.56						
AFB0624EH	-A	R00/F00	24	14.0 to 27.6	0.24	5.76						
AFB0648EH	-A	R00/F00	48	20.0 to 56.0	0.14	6.72						

\* Function type is optional.  
 \* The max. air flow and the speed are measured in free air ; max. air pressure is measured at zero air flow.  
 \* Noise is measured in anechoic chamber in free air, one meter from intake side.  
 \* All readings are typical values at rated voltage.  
 \* Specifications are subject to change without notice.

# AFB 60 x 60 x 25.4 MM SERIES

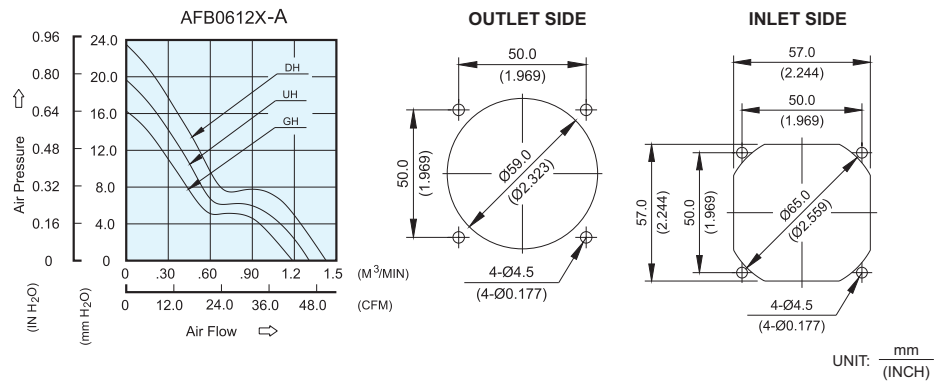
## DIMENSIONS DRAWING



- \* Bearing Type  
Ball Bearings
- \* Material  
Impeller & Frame: Plastic (UL94V-0)
- \* Lead Wires :  
UL 1061AWG #24 OR Equivalent  
Red Wire Positive (+)  
Black Wire Negative (-)
- \* Weight : 77g (2.72 oz)

## P & Q CURVE (AT RATED VOLTAGE)

## MOUNTING PANEL CUTOUT



MODEL			Rated Voltage	Operating Voltage Range	Input Current	Input Power	Speed	Maximum Air Flow		Maximum Air Pressure		Noise
PART NO.	REV.	FUNCTION	VDC	VDC	Amp	Watt	R.P.M.	m <sup>3</sup> /min	CFM	mmH <sub>2</sub> O	IN H <sub>2</sub> O	dB-A
AFB0612GH	-A	-R00 / -F00	12	7.0 to 13.2	0.55	6.60	7500	1.188	41.95	16.27	0.640	50.5
AFB0612UH	-A	-R00 / -F00	12	7.0 to 13.2	0.69	8.28	8200	1.307	46.16	19.66	0.774	52.5
AFB0612DH	-A	-R00 / -F00	12	7.0 to 13.2	0.84	10.08	9000	1.427	50.40	23.52	0.926	55.0

\* Function type is optional.  
 \* The max. air flow and the speed are measured in free air ; max. air pressure is measured at zero air flow.  
 \* Noise is measured in anechoic chamber in free air, one meter from intake side.  
 \* All readings are typical values at rated voltage.  
 \* Specifications are subject to change without notice.