

AC Fan Motors

Mini Ace

□ 80mm
Mini Ace



General specifications

- Motor construction ······Shaded pole motor
- Motor protection system ·····Impedance protection
- Dielectric strength ······50/60 Hz, 1500 VAC, 1 minute
··········(between input terminal and frame, or between lead conductor and frame)
- Operating voltage range ·····+10%
- Plug cord ···········For general; 489-008 (L10, L21, L35)
···········※For the power cord, see page 113.

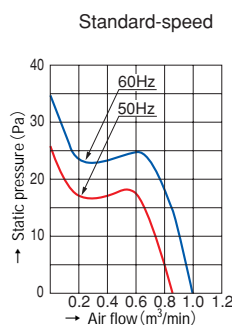
42mm thick

Specifications (Operating thermally range -30°C to +60°C)

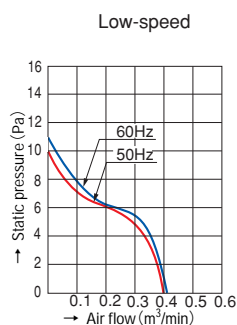
Model	Voltage (V)	Frequency (Hz)	Input (W)	Current (A)	Bound current (A)	Rotating speed (min ⁻¹)	Air flow (m ³ /min)	Air flow (CFM)	Static pressure (Pa)	Noise (dB[A])	Mass (g)
109-040UL	100	50/60	10/9	0.13/0.11	0.16/0.14	2650/3100	0.85/1.0	30.0/35.3	24.5/35.3	40/44	410
109-043UL	115			0.11/0.1	0.14/0.12						
109-041UL	200			0.07/0.06	0.08/0.07						
109-044UL	230			0.06/0.05	0.07/0.06						
※109-047UL	100			0.05/0.05	0.05/0.05						
※109-033UL	115	4/3.5	0.04/0.04	0.04/0.04	1500/1500	0.43/0.43	15.2/15.2	8.8/8.8	24/24		

※ represents low-speed.

Typical air flow and static pressure characteristics

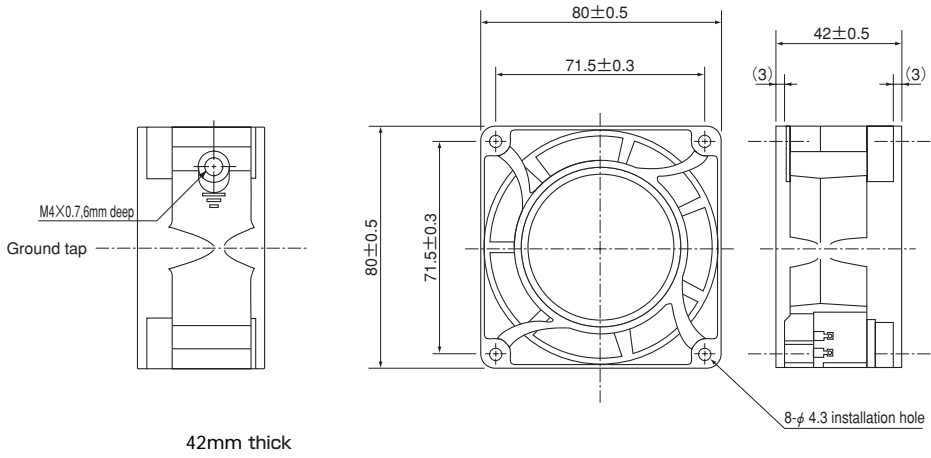


109-040UL
109-043UL
109-041UL
109-044UL



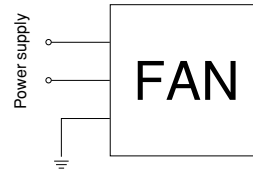
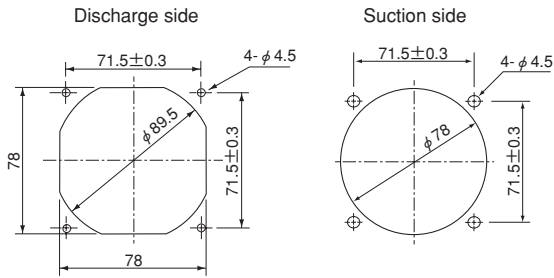
109-047UL
109-033UL

Dimensions (unit : mm)



Reference dimensional diagram for installation holes (unit : mm)

Wiring diagram



80mm

SANYO DENKI