

KSC5 Series Tact Switch with Rocker Option for SMT



Features/Benefits

- Can be actuated from either side or top
- Silver or Gold plated terminals
- Compatible with automatic insertion machines
- IP 50
- RoHS compliant

Typical Applications

- Automotive
- Computers
- Instrumentation

Tactile Switches

Specification

FUNCTION: Momentary action
CONTACT ARRANGEMENT: 1 make contact = SPST, N.O.
TERMINALS: J bend & Gullwing type for SMT

Electrical	Silver	Gold
MAXIMUM POWER:	1 VA	0.2 VA
MAXIMUM VOLTAGE:	32 VDC	32 VDC
MINIMUM VOLTAGE:	20 mV	20 mV
MAXIMUM CURRENT:	50 mA	10 mA
MINIMUM CURRENT:	1 mA	1 mA
DIELECTRIC STRENGTH (50 Hz, 1 min.):	> 250 V	
CONTACT RESISTANCE:	< 100 mΩ	
INSULATION RESISTANCE (100 V):	> 10 ⁹ Ω	
BOUNCE TIME:	< 1 ms	

Environmental

	Silver	Gold
OPERATING TEMPERATURE:	-40°C to 85°C	-40°C to 125°C
STORAGE TEMPERATURE:	-55°C to 85°C	-55°C to 125°C

Process

SOLDERING: Infrared reflow in accordance with IEC61760-1

Packaging

Switches delivered on continuous tape & reels of 1,000 pieces, 330 (12.992) external diameter. Other dimensions according to EIA-RS-481 standard.

NOTE:

Specifications listed above are for switches with standard options. For information on specific and custom switches, consult Customer Service Center.

Other versions in terms of force, termination length and corrosion protection available. Please contact your sales representative.

This data sheet does not provide enough information for applications which require a certain level of quality or safety such as automotive, medical systems, safety equipment. Please contact your sales representative to get contractual specification package.

Mechanical

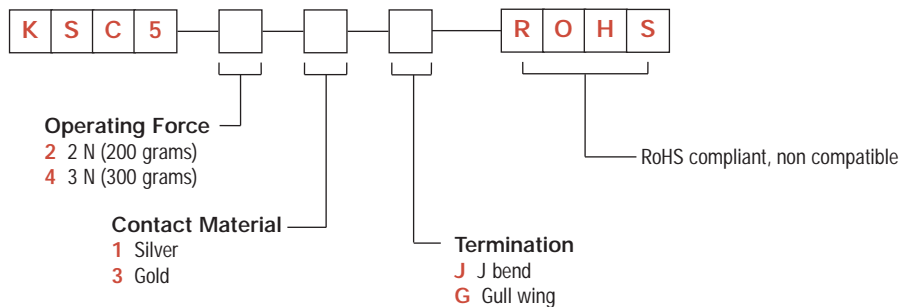
Type	Operating force axial FA N (grams) ±25%	Operating force lateral FL N (grams) ±30%	Travel to make axial (mm)	Travel to make lateral (mm)	Life expectancy cycles, axial	Life expectancy cycles, lateral
KSC521G	1,5 - 2,5	1,2 - 2,6	0,25 ± 0,15	0,5 ± 0,25	100,000	10,000
KSC541G	2,25 - 3,75	1,8 - 3,8	0,25 ± 0,15	0,5 ± 0,25	100,000	10,000

How To Order

Our easy build-a-switch concept allows you to mix and match options to create the switch you need. To order, select desired option from each category and place it in the appropriate box.

However, please note that all the combinations of these options are not feasible.

For any part number different from those listed above, please consult your local representative.



Dimensions shown in: mm (inch)
Specifications and dimensions subject to change

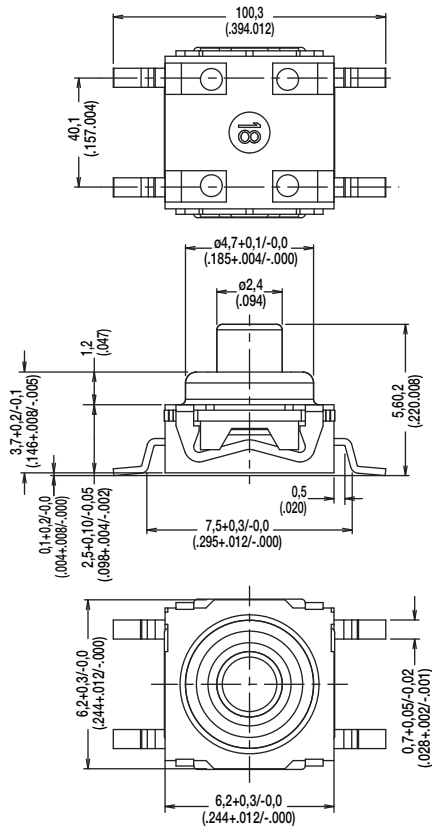
www.ck-components.com

KSC5 Series Tact Switch with Rocker Option for SMT

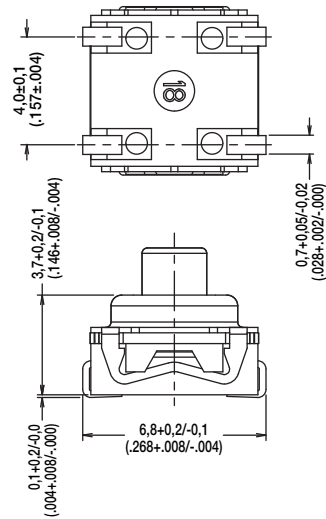
KSC5



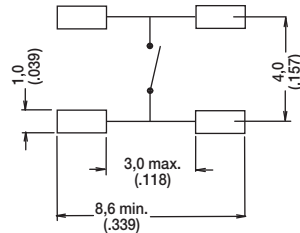
KSC521G



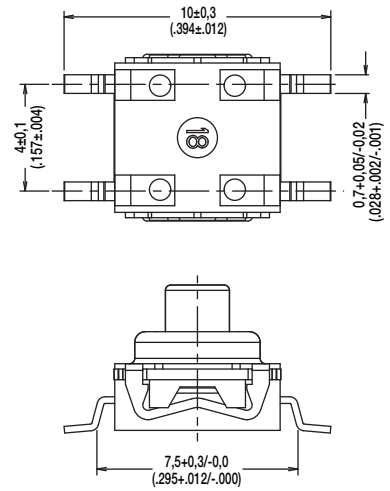
J J BEND



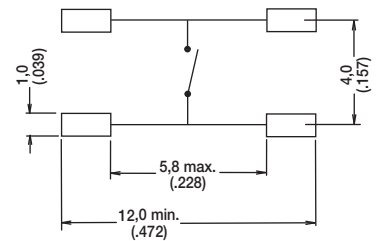
PAD LAYOUT



G GULLWING

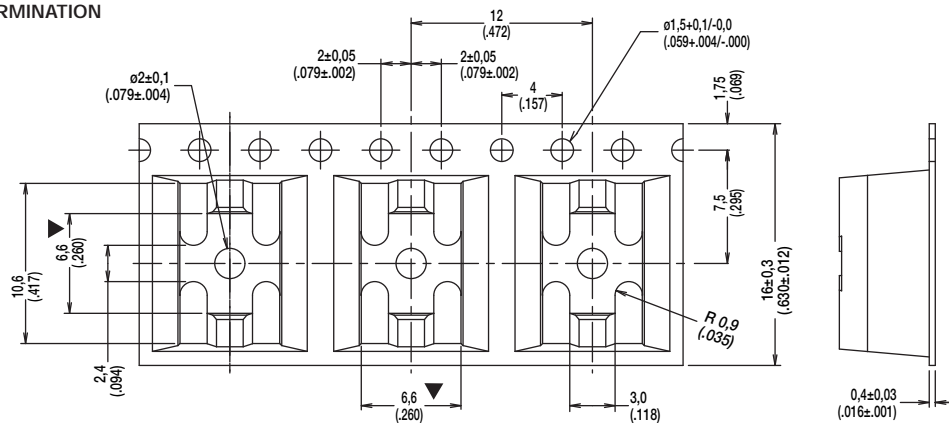


PAD LAYOUT



TAPE & REEL

FOR KSC5 G & J TERMINATION



DIRECTION OF FEED



Dimensions shown in: mm (inch)
Specifications and dimensions subject to change

www.ck-components.com



B

Tactile Switches