

MICRO SWITCH

FREEPORT, ILLINOIS, U.S.A.
A DIVISION OF HONEYWELL

FED. MFG. CODE 91929

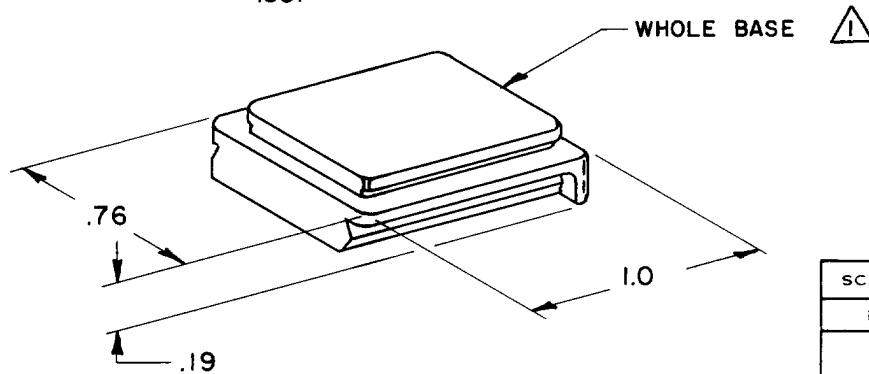
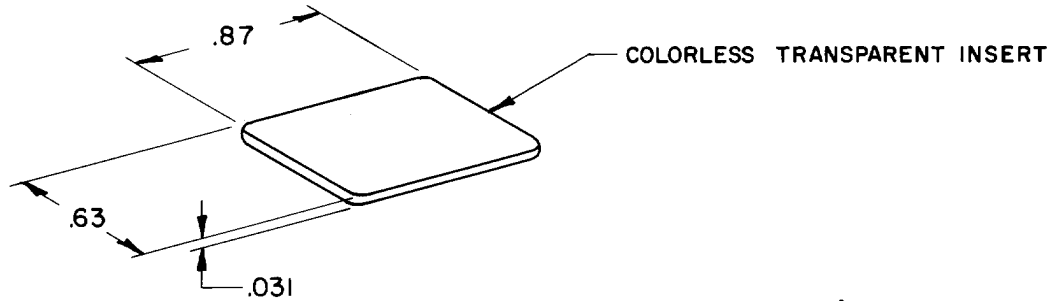
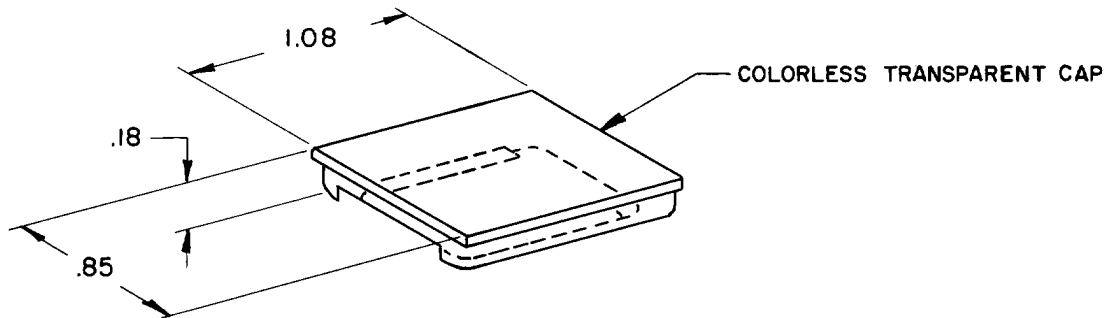
DISPLAY SCREENS

CATALOG LISTING

2A SERIES CHART 7

THIS DRAWING COVERS A PROPRIETARY ITEM AND IS THE PROPERTY OF MICRO SWITCH, A DIVISION OF HONEYWELL. THIS DRAWING IS NOT TO BE COPIED OR USED WITHOUT THE APPROVAL OF MICRO SWITCH.

REVISIONS
 A NEW DRW 024543
 GFS 4 SEPT 68
 CHECK
 3
 DRAWING NUMBER
 M
 2A SERIES CHART 7
 REPLACES
 RELEASE NO.
 CHECK
 GFS 4 SEPT 68
 DRAWN
 O-50378-2A



3 - PIECE DISPLAY SCREEN

NOTE-

- SOLID COLOR BASE FURNISHED WITH COLORLESS TRANSPARENT CAPS

SCALE NONE	
DO NOT SCALE PRINT	
UNLESS OTHERWISE SPECIFIED	
DIMENSIONS ARE IN INCHES	
TOLERANCES ARE:	
ONE PLACE (.0)	±.030
TWO PLACE (.00)	±.015
THREE PLACE (.000)	±.005
ANGLES	±
WEIGHT	

BASE COLORS	CATALOG LISTINGS	RELEASE STATUS	
RED	2A81	SR-8284	
YELLOW	2A82	SR-8284	
GREEN	2A85	SR-8284	
BLUE	2A86	SR-8284	
AMBER	2A114	SR-9397	