

MICRO SWITCH
a Honeywell Division

FED. MFG. CODE 91929

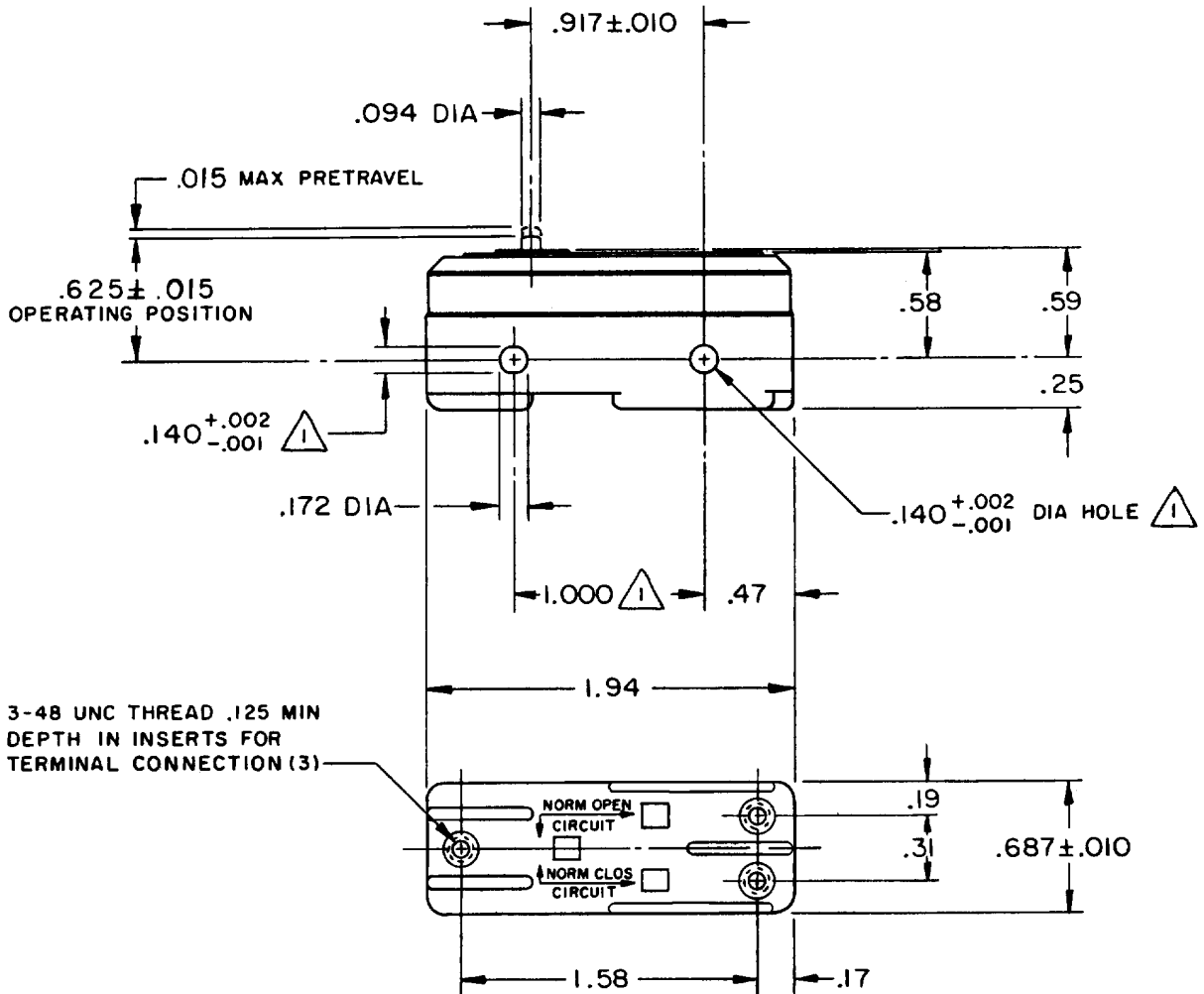
SWITCH-BASIC

CATALOG LISTING

BM-1R2420

CATALOG LISTING
BM-1R2420
 PAGE 1 OF 1
 ISSUE **5**
 ASD 23NOV07
 CHECK 12SEP07
 PSR 23NOV07
 CHECK 3 SEP 99
 JAF
 CHECK 3 SEP 99
 DRAWN
RASTER

REPLACES
 PR - 7087
 23NOV07
 12SEP07
 3 SEP 99



NOTE
 MOUNTING HOLES WILL ACCEPT PINS OR SCREWS
 OF .139 MAX DIA ON 1.000±.002 CENTERS
 2- SWITCH WILL WITHSTAND TEMPERATURE OF 250° F

THIS DRAWING COVERS A PROPRIETARY ITEM AND IS THE PROPERTY OF MICRO SWITCH, A DIVISION OF HONEYWELL. THIS DRAWING IS NOT TO BE COPIED OR USED WITHOUT THE APPROVAL OF MICRO SWITCH.

THIRD ANGLE PROJECTION

CHARACTERISTICS	
OPERATING FORCE	7-10 OZ
RELEASE FORCE	4 OZ MIN
DIFFERENTIAL TRAVEL	.0005-.0010
OVERTRAVEL	.005 MIN

ELECTRICAL DATA

CONTACT ARRANGEMENT
 S P D T

L161 22A 125, 250 OR 480 VAC
 1/2HP 125 VAC, 1HP 250 VAC

L288
 L315
 L310
 L318



22A 250V ~ T85 5E4

SCALE	FULL	DO NOT SCALE PRINT
UNLESS OTHERWISE SPECIFIED TOLERANCES ARE		
ONE PLACE	(.0)	±.030
TWO PLACE	(.00)	±.015
THREE PLACE	(.000)	±.005
ANGLES		±
WEIGHT .050 LB		