

# DT Series Miniature Power Rocker Switches



## Features/Benefits

- Illuminated versions available
- Double pole switching in miniature package
- Snap-in mounting
- RoHS compliant

## Typical Applications

- Small appliances
- Computers and peripherals
- Medical instrumentation



## Specifications

CONTACT RATING:  
 UL/CSA: 8 AMPS @ 125 VAC, 4 AMPS @ 250 VAC  
 VDE: 10 AMPS @ 125 VAC, 6 AMPS @ 250 VAC.  
 ELECTRICAL LIFE: 10,000 make and break cycles at full load.  
 INSULATION RESISTANCE: 10<sup>9</sup> Ω min.  
 DIELECTRIC STRENGTH: 1,500 VRMS @ sea level.  
 OPERATING TEMPERATURE: -20°C to +85°C

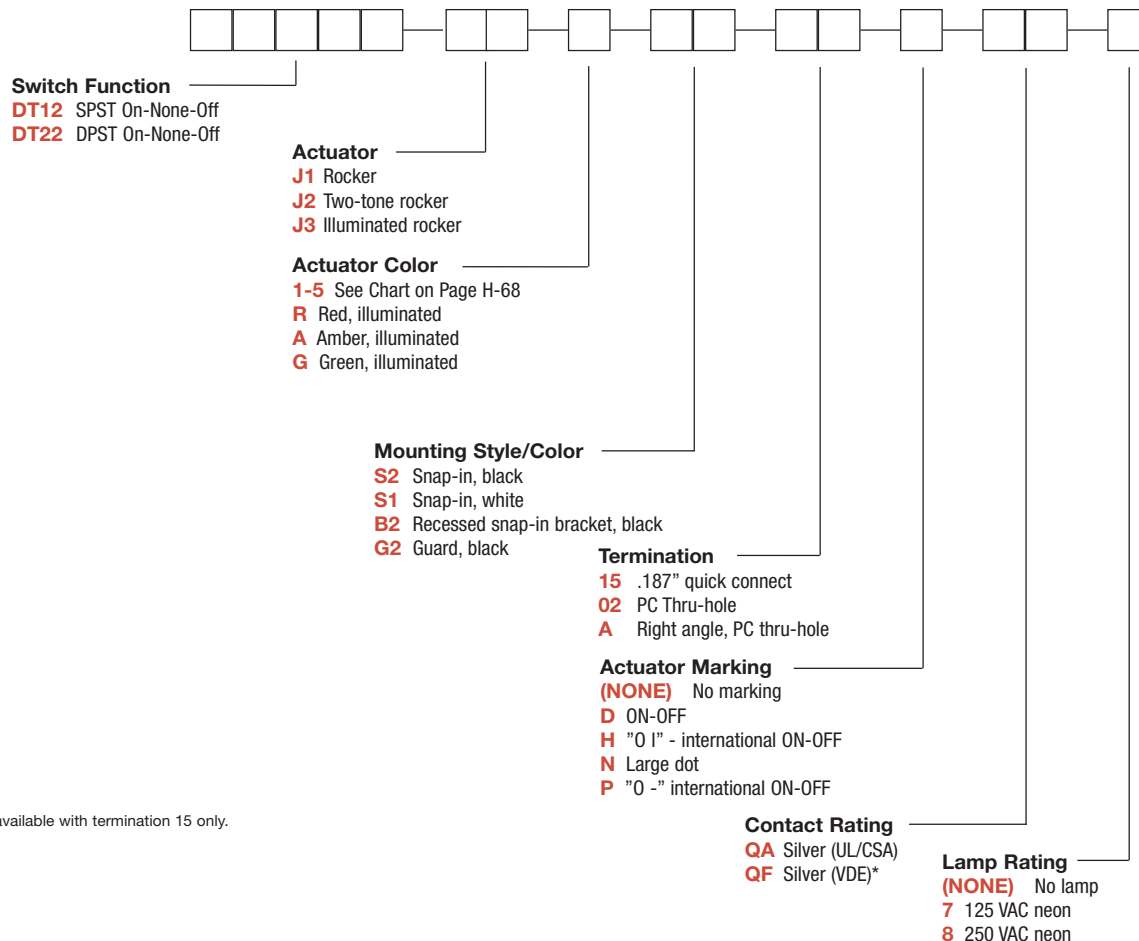
## Materials

HOUSING AND ACTUATOR: 6/6 nylon (UL94V-2), black, matte finish.  
 ILLUMINATED ACTUATOR: Polycarbonate, matte finish.  
 CENTER CONTACTS: Silver plated, copper alloy.  
 END CONTACTS: Silver plated AgCdo.  
 ALL TERMINALS: Silver plated, copper alloy.

**NOTE:** Specifications and materials listed above are for switches with standard options. For information on specific and custom switches, consult Customer Service Center.

## Build-A-Switch

To order, simply select desired option from each category and place in the appropriate box. Available options are shown and described on pages G-67 through G-69. For additional options not shown in catalog, consult Customer Service Center.



\* QF available with termination 15 only.

Rocker



G



Dimensions are shown: Inches (mm)  
 Specifications and dimensions subject to change

# DT Series Miniature Power Rocker Switches

## SWITCH FUNCTION



NO. POLES	MODEL NO.	SWITCH FUNCTION		CONNECTED TERMINALS		SCHEMATIC
		POS 1	POS 3	POS 1	POS 3	
SP	<b>DT12</b>	ON	OFF	2-1	OPEN	 For Illuminated Versions
DP	<b>DT22</b>	ON	OFF			 For Illuminated Versions

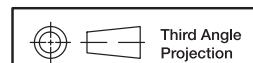
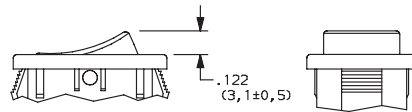
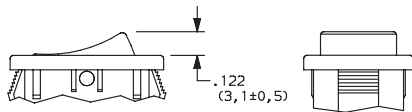
## ACTUATOR



**J1** ROCKER

**J3** ILLUMINATED ROCKER

**J2** TWO-TONE ROCKER



Dimensions are shown: Inches (mm)  
Specifications and dimensions subject to change

www.ck-components.com



# DT Series Miniature Power Rocker Switches

## ACTUATOR COLOR

	OPTION CODE	ACTUATOR COLOR
For J1 only	2	BLACK
	1	WHITE
	3	RED
For J3 only	R	RED, ILLUMINATED
	A	AMBER, ILLUMINATED
	G	GREEN, ILLUMINATED

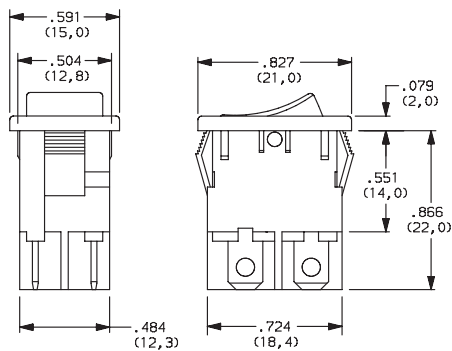
OPTION CODE	ACTUATOR COLOR	
	TOP	BOTTOM
1	WHITE	RED
2	WHITE	BLACK
3	RED	WHITE
4	BLACK	WHITE
5	BLACK	RED

J2 actuator only

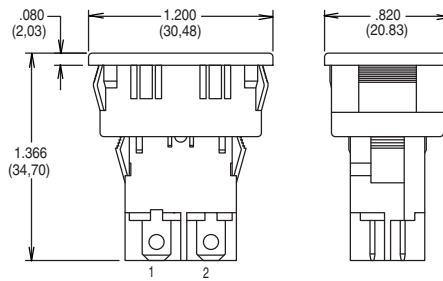
## MOUNTING STYLE/COLOR

**S2** SNAP-IN, BLACK

**S1** SNAP-IN, WHITE

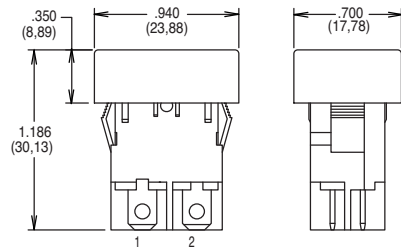


**B2** RECESSED SNAP-IN BRACKET, BLACK

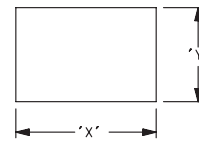


NOTE: Available with DT102 switch functions only.

**G2** GUARD, BLACK



### PANEL MOUNTING

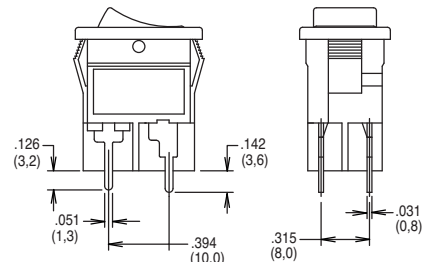
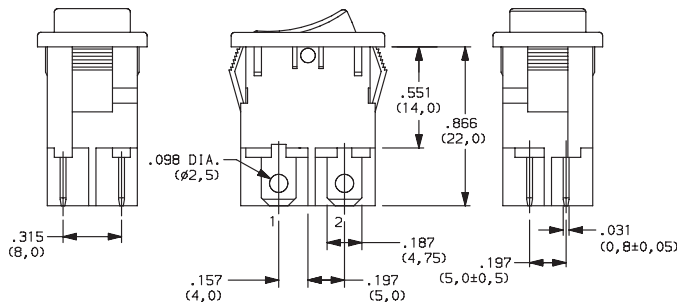


PANEL THICKNESS	"X"	"Y"
0.030-0.049 (0,75-1,25)	0.756-.004 (19,2-0,1)	0.512+.004 (13,0+0,1)
0.049-0.079 (1,25-2,0)	0.764-.004 (19,4-0,1)	0.512+.004 (13,0+0,1)
0.079-0.118 (2,0-3,0)	0.780-.004 (19,8-0,1)	0.512+.004 (13,0+0,1)

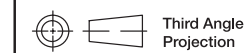
## TERMINATION

**15** .187" QUICK CONNECT

**02** PC THRU-HOLE



NOTE: No VDE approval of this option.



Third Angle Projection

Dimensions are shown: Inches (mm)  
Specifications and dimensions subject to change

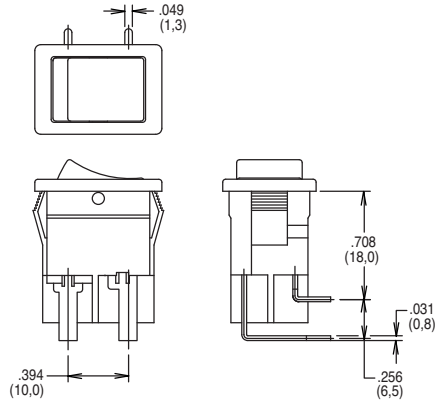
[www.ck-components.com](http://www.ck-components.com)



# DT Series Miniature Power Rocker Switches

## TERMINATION

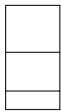
**A** RIGHT ANGLE, PC THRU-HOLE



**NOTE:** No VDE approval of this option.

## ACTUATOR MARKING

**NONE** NO MARKING



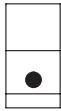
**D** ON-OFF



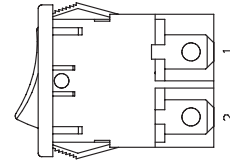
**H** O-I



**N** LARGE DOT



**P** O-



**NOTE:** Orientation of actuator marking and terminals.

## CONTACT MATERIAL

OPTION CODE	CONTACT AND TERMINAL MATERIAL	RATINGS	
		POWER	8 AMPS @ 125 VAC; 4 AMPS @ 250 VAC (UL/CSA)
<b>QA</b>	SILVER	POWER	8 AMPS @ 125 VAC; 4 AMPS @ 250 VAC (UL/CSA)
<b>QF</b>	SILVER	POWER	10 AMPS @ 125 VAC; 6 AMPS @ 250 VAC (VDE)

\*1 QF available with termination 15 only.

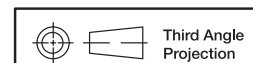
## LAMP RATING

**(NONE)** NO LAMP

**7** 125 VAC 33kΩ NEON

**8** 250 VAC 150kΩ NEON

**C&K**



Third Angle  
Projection

Dimensions are shown: Inches (mm)  
Specifications and dimensions subject to change

www.ck-components.com