



DTF2-2RN2-RH



**Enclosed Switches Series BAF/DTF:
Top Roller Arm Actuator, Adjustable
with Steel Roller; 2NC 2NO DPDT Snap
Action; Actuator Position - Right**

Actual product appearance may vary.

Features

- Up to 20 ampere capacity
- Cast aluminum housing with three-hole mounting
- Right or left-handed (sealed or unsealed) actuators
- Cover seal, captive cover screws
- Momentary or maintained contact
- UL recognized, file #E12252
- CSA certified, file #LR41372
- Sealed to NEMA 1, 3, 4 and 13 requirements
- Grounding screw

Potential Applications

- Packaging equipment
- Special machinery
- Agricultural machinery
- Conveyors
- Overhead cranes and hoists

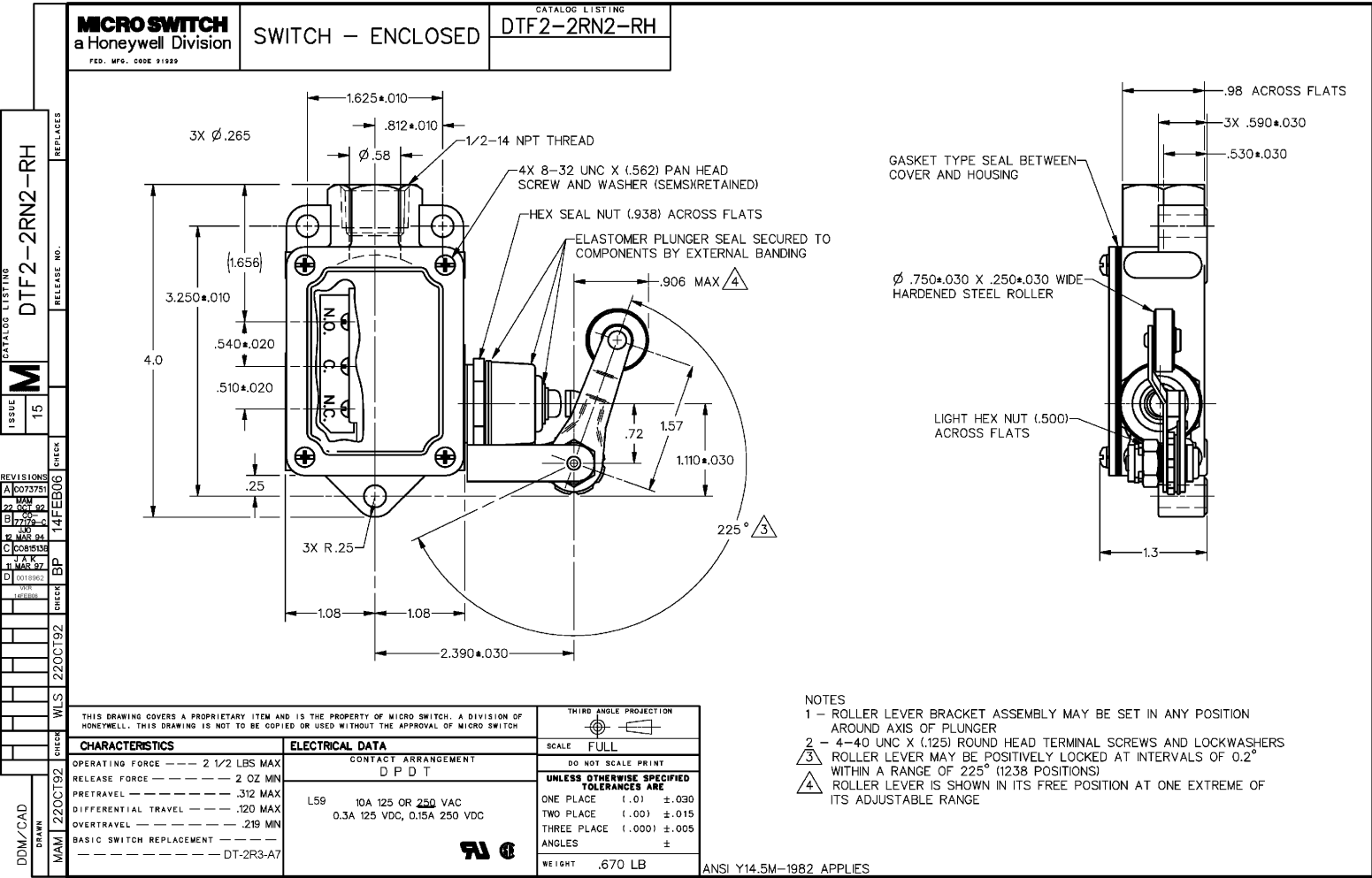
Description

The elastomer boot on sealed actuator versions protects the actuating mechanism and the internal basic switch from contaminants. There is a seal gasket between the cover plate and the enclosures on all versions. The cover plate is removed for ease of wiring and switch replacement without demounting the switch. The actuator position is designated "right" or "left," when looking at the nameplate.

Product Specifications

Product Specifications	
Availability	Global
Operating Force (O.F.)	11,1 N max. [2.5 lbs max.]
Release Force (R.F.)	0,56 N min. [2 oz. min]
Pretravel (P.T.)	7,93 mm max. [.312 in max.]
Overtravel (O.T.)	5,56 mm min. [0.219 in min.]
Differential Travel (D.T.)	3,05 mm max. [.120 in max.]
Product Type	Enclosed Switches
Actuator	Top Roller Arm
Lever Style	Roller - Adjustable

Circuitry	2 NC 2 NO DPDT Snap Action
Ampere Rating	10 A Ind./0.3 A Res./0.15 A Res.
Supply Voltage	125 Vac, 250 Vac/125 Vdc/250 Vdc
Housing Material	Aluminum Die-Cast
Termination Type	0.5 in - 14NPT conduit
Series Name	BAF/DTF
Sealing	NEMA 1, 3, 4, and 13
Approvals	UL recognized, CSA certified
CSA File #	LR41372
UL File #	E12252
Operating Temperature Range	-32 °C to 71 °C [-25 °F to 160 °F]
Comment	With seal boot on plunger; Lever field adjustable 360° horizontally and 225° vertically; Right-hand actuator position
UNSPSC Code	302119
UNSPSC Commodity	302119 Switches and controls and relays
Sealed	Industrial



CATALOG LISTING
DTF2-2RN2-RH
 ISSUE **M**
 15

REVISIONS
 A 0073751
 B 17799-82
 C 0081534
 D 0018982

DDM/CAD
 DRAWN
 MAM
 22OCT92
 CHECK
 WLS
 22OCT92
 RELEASE NO.
 14FEB06
 CHECK
 BP

MICRO SWITCH
 a Honeywell Division
 FED. MFG. CODE 91025

SWITCH - ENCLOSED

CATALOG LISTING
DTF2-2RN2-RH

THIS DRAWING COVERS A PROPRIETARY ITEM AND IS THE PROPERTY OF MICRO SWITCH, A DIVISION OF HONEYWELL. THIS DRAWING IS NOT TO BE COPIED OR USED WITHOUT THE APPROVAL OF MICRO SWITCH

CHARACTERISTICS		ELECTRICAL DATA	
OPERATING FORCE	2 1/2 LBS MAX	CONTACT ARRANGEMENT	
RELEASE FORCE	2 OZ MIN	D P D T	
PRETRAVEL	.312 MAX	L59	10A 125 OR 250 VAC 0.3A 125 VDC, 0.15A 250 VDC
DIFFERENTIAL TRAVEL	.120 MAX		
OVERTRAVEL	.219 MIN		
BASIC SWITCH REPLACEMENT	DT-2R3-A7	WEIGHT .670 LB	

- NOTES
- 1 - ROLLER LEVER BRACKET ASSEMBLY MAY BE SET IN ANY POSITION AROUND AXIS OF PLUNGER
 - 2 - 4-40 UNC X (.125) ROUND HEAD TERMINAL SCREWS AND LOCKWASHERS
 - 3 - ROLLER LEVER MAY BE POSITIVELY LOCKED AT INTERVALS OF 0.2° WITHIN A RANGE OF 225° (1238 POSITIONS)
 - 4 - ROLLER LEVER IS SHOWN IN ITS FREE POSITION AT ONE EXTREME OF ITS ADJUSTABLE RANGE

ANSI Y14.5M-1982 APPLIES