

MICRO SWITCH

A DIVISION OF MINNEAPOLIS-HONEYWELL REGULATOR COMPANY
FARGO, MINN.

FED. MFR. CODE 91929

ACTUATOR-SWITCH

CATALOG LISTING

JV-1

5

(M) JV-1

REPLACES ISSUE 4

JV-1

M

DRAWING NUMBER

ISSUE 28

78

RELEASE NO.

CHECK

19 JUNE 59

6 FEB 75

22 APR 93

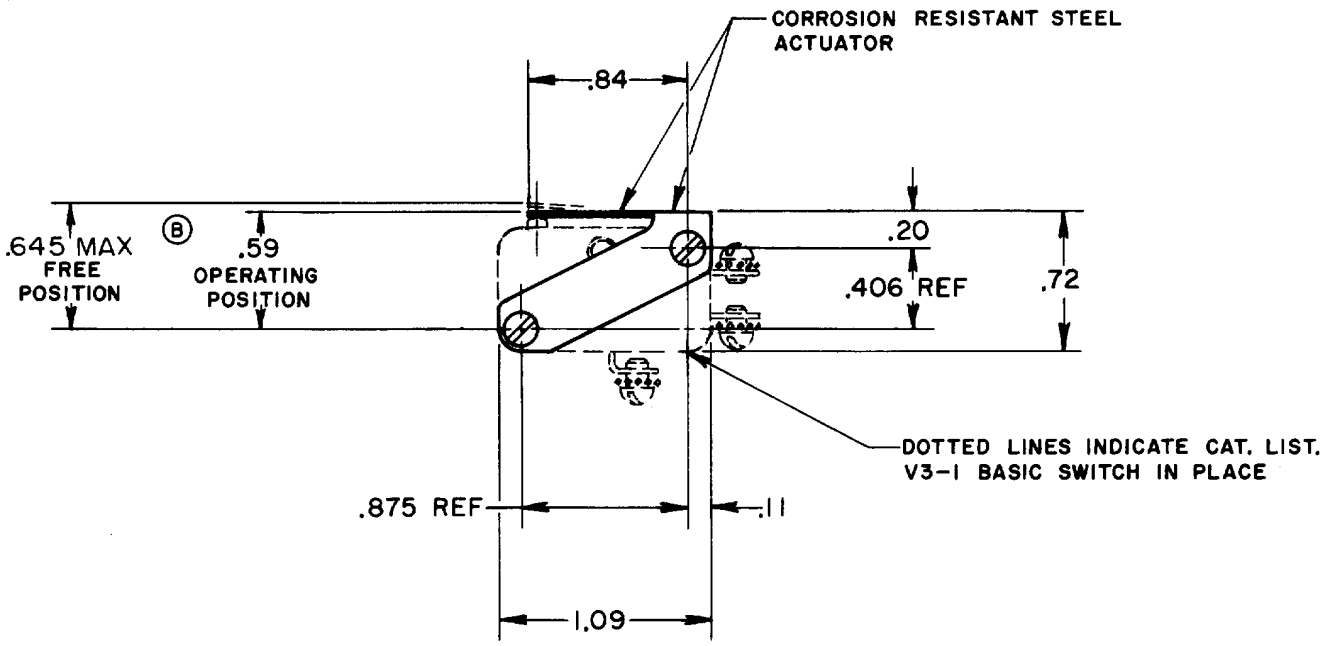
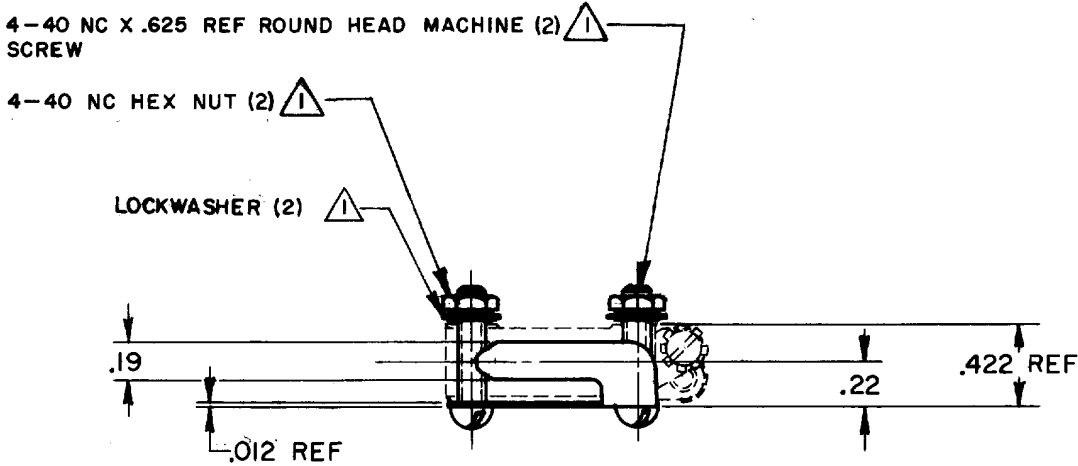
CHECK

12 JUNE 59

CHECK

12 JUNE 59

CHECK



NOTE - \triangle - FURNISHED UNASSEMBLED

THIS DRAWING COVERS A PROPRIETARY ITEM AND IS THE PROPERTY OF MICRO SWITCH, A DIVISION OF MINNEAPOLIS-HONEYWELL REGULATOR CO. THIS DRAWING IS NOT TO BE COPIED OR USED WITHOUT THE APPROVAL OF MICRO SWITCH.

CHARACTERISTICS WITH V3-1 BASIC SWITCH INSTALLED		ELECTRICAL DATA		SCALE FULL
OPERATING FORCE	18 OZ MAX	CONTACT ARRANGEMENT	BREAK DISTANCE	DO NOT SCALE PRINT
RELEASE FORCE	6 OZ MIN			UNLESS OTHERWISE SPECIFIED
PRETRAVEL	.047 MAX			DIMENSIONS ARE IN INCHES
DIFFERENTIAL TRAVEL	.016 MAX			TOLERANCES ARE:
OVERTRAVEL	.031 MIN			ONE PLACE (.0) $\pm .030$
				TWO PLACE (.00) $\pm .015$
				THREE PLACE (.000) $\pm .005$
				ANGLES \pm
				WEIGHT

FO-50378