



### GLAA01A2B



*Actual product appearance may vary.*

**Global Limit Switches Series GLS: Side Rotary With Roller - Adjustable, 1NC 1NO SPDT Snap Action, 0.5 in - 14NPT conduit**

#### Features

- Designed to IEC standard for world-wide applications
- UL, CSA, and CE
- International conduit sizes
- Direct PLC interface compatible (two circuit)
- Modular construction reduces maintenance parts costs
- Designed for ease of installation
- Variety of basic switch versions
- Wide choice of actuators

#### Potential Applications

- Machine tools: metal fabrication equipment, presses, transfer lines and special machinery
- Material handling equipment: conveyors, elevators, cranes, and hoists
- Packaging machinery and process equipment
- Textile machinery
- Construction machinery and equipment, vehicles and lift trucks

#### Description

The GLS series limit switches are specifically designed for world-wide applications and are supported by Honeywell global resources for sale and after sale service.

Product Specifications	
Availability	Global
Operating Force (O.F.)	0,330 N m [2.90 in lb]
Pretravel (P.T.)	26°
Overtravel (O.T.)	59°
Differential Travel (D.T.)	12°
Product Type	EN50041/47 Global Limit Switch
Actuator	Side Rotary
Lever Style	Roller - Adjustable
Circuitry	1NC 1NO SPDT Snap Action
Ampere Rating	10 A (Thermal)
Supply Voltage	600 Vac and 250 Vdc max.
Housing Material	Zinc Die-Cast

Termination Type	0.5 in - 14NPT conduit
Housing Type	EN 50041
Series Name	GLS DIN
Shock	50 g per IEC 68-2-27c (w/o Actuator)
Vibration	10 g per IEC 68-2-6 (w/o Actuator)
Sealing	NEMA 1, 4, 12, 13 IP67
Approvals	UL, CSA, CE
CSA File #	LR94369-3
UL File #	E37138 & E157416
Mechanical Life	15 million
Operating Temperature Range	-25 °C to 85 °C [-13 °F to 185 °F]
Comment	Roller Material: Steel
Agency Approvals and Standards	IEC 947-5-1, EN60947-5-1, UL508
UNSPSC Code	302119
UNSPSC Commodity	302119 Switches and controls and relays
Sealed	Industrial
Operating Position (O.P.)	26°



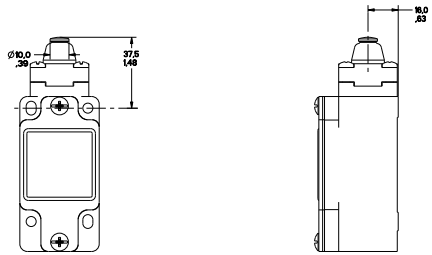


FIGURE 4 - TOP PIN PLUNGER HEAD  
OTHERWISE REFER TO  
FIGURE 1

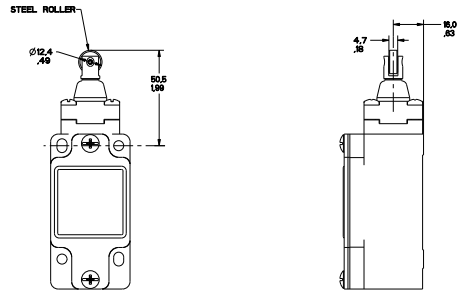


FIGURE 5 - TOP ROLLER PLUNGER HEAD  
OTHERWISE REFER TO  
FIGURE 1

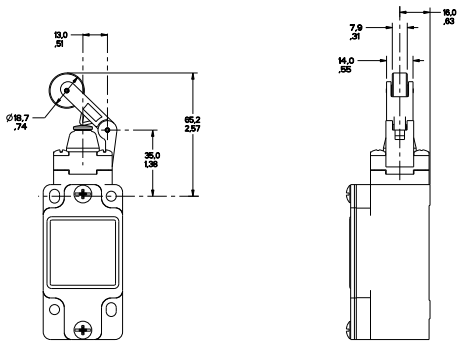


FIGURE 6 - TOP LEVER HEAD,  
OTHERWISE REFER TO  
FIGURE 1

PTC/CAD  
 MICROSWITCH  
 HONEYWELL DIVISION  
 1000 EAST 17TH AVENUE  
 DENVER, CO 80202  
 TEL: 303.733.1000  
 FAX: 303.733.1001  
 WWW.MICROSWITCH.COM

THIS DRAWING COVERS A PROPRIETARY ITEM AND IS THE PROPERTY OF MICRO SWITCH, A DIVISION OF HONEYWELL. THIS DRAWING IS NOT TO BE COPIED OR USED WITHOUT THE APPROVAL OF MICRO SWITCH.		COPYRIGHT © 1998	
TOLERANCES UNLESS OTHERWISE SPECIFIED:		DIMENSIONS UNLESS OTHERWISE SPECIFIED:	
FRAMES	±.005	INCHES	±.0005
OTHER	±.002	MILLIMETERS	±.01
MATERIALS UNLESS OTHERWISE SPECIFIED:		FINISHES UNLESS OTHERWISE SPECIFIED:	
FRAMES	STAINLESS STEEL	FRAMES	304
OTHER	BRASS	OTHER	304
WEIGHTS UNLESS OTHERWISE SPECIFIED:		WEIGHTS UNLESS OTHERWISE SPECIFIED:	
FRAMES	0.1	OTHER	0.1
WEIGHT		WEIGHT	

ANSI Y14.5M-1982 APPLIES

MICROSWITCH  
Honeywell Division

SWITCH, ENCLOSED

GL SERIES CHART 1

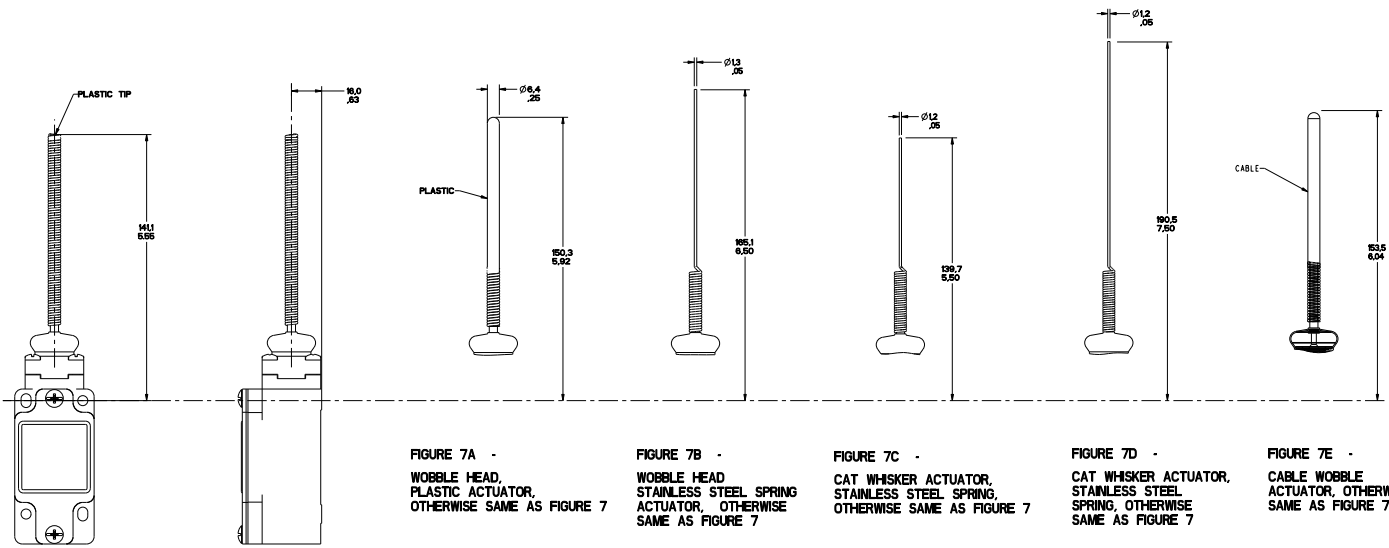


FIGURE 7A -  
WOBBLE HEAD,  
PLASTIC ACTUATOR,  
OTHERWISE SAME AS FIGURE 7

FIGURE 7B -  
WOBBLE HEAD  
STAINLESS STEEL SPRING  
ACTUATOR, OTHERWISE  
SAME AS FIGURE 7

FIGURE 7C -  
CAT WHISKER ACTUATOR,  
STAINLESS STEEL SPRING,  
OTHERWISE SAME AS FIGURE 7

FIGURE 7D -  
CAT WHISKER ACTUATOR,  
STAINLESS STEEL  
SPRING, OTHERWISE  
SAME AS FIGURE 7

FIGURE 7E -  
CABLE WOBBLE  
ACTUATOR, OTHERWISE  
SAME AS FIGURE 7

FIGURE 7 - WOBBLE HEAD, AND CAT WISKER HEAD  
COIL ACTUATOR,  
OTHERWISE REFER TO  
FIGURE 1

PTC/CAD  
 MICROSWITCH  
 HONEYWELL DIVISION  
 1982

THIS DRAWING COVERS A PROPRIETARY ITEM AND IS THE PROPERTY OF MICRO SWITCH, A DIVISION OF HONEYWELL. THIS DRAWING IS NOT TO BE COPIED OR USED WITHOUT THE APPROVAL OF MICRO SWITCH.		COPYRIGHT 1978	
TYPED ANGLE PROJECTION		SCALE: FULL	
DO NOT SCALE PRINT		TOLERANCES UNLESS OTHERWISE SPECIFIED	
MICROSWITCH Honeywell Division		GL SERIES CHART 1	
SWITCH, ENCLOSED		WEIGHT	

ANSI Y14.5M-1982 APPLIES



PTC/CAD  
 MICRO SWITCH  
 HONEYWELL DIVISION  
 11-12-13-14-21-22-23-24-26-27-32-33-34-35-36-37-38-39-40-41-42-43-44-45-46-47-48-49-50-51-52-53-54-55-56-57-58-59-60-61-62-63-64-65-66-67-68-69-70-71-72-73-74-75-76-77-78-79-80-81-82-83-84-85-86-87-88-89-90-91-92-93-94-95-96-97-98-99-100-101-102-103-104-105-106-107-108-109-110-111-112-113-114-115-116-117-118-119-120-121-122-123-124-125-126-127-128-129-130-131-132-133-134-135-136-137-138-139-140-141-142-143-144-145-146-147-148-149-150-151-152-153-154-155-156-157-158-159-160-161-162-163-164-165-166-167-168-169-170-171-172-173-174-175-176-177-178-179-180-181-182-183-184-185-186-187-188-189-190-191-192-193-194-195-196-197-198-199-200-201-202-203-204-205-206-207-208-209-210-211-212-213-214-215-216-217-218-219-220-221-222-223-224-225-226-227-228-229-230-231-232-233-234-235-236-237-238-239-240-241-242-243-244-245-246-247-248-249-250-251-252-253-254-255-256-257-258-259-260-261-262-263-264-265-266-267-268-269-270-271-272-273-274-275-276-277-278-279-280-281-282-283-284-285-286-287-288-289-290-291-292-293-294-295-296-297-298-299-300-301-302-303-304-305-306-307-308-309-310-311-312-313-314-315-316-317-318-319-320-321-322-323-324-325-326-327-328-329-330-331-332-333-334-335-336-337-338-339-340-341-342-343-344-345-346-347-348-349-350-351-352-353-354-355-356-357-358-359-360-361-362-363-364-365-366-367-368-369-370-371-372-373-374-375-376-377-378-379-380-381-382-383-384-385-386-387-388-389-390-391-392-393-394-395-396-397-398-399-400-401-402-403-404-405-406-407-408-409-410-411-412-413-414-415-416-417-418-419-420-421-422-423-424-425-426-427-428-429-430-431-432-433-434-435-436-437-438-439-440-441-442-443-444-445-446-447-448-449-450-451-452-453-454-455-456-457-458-459-460-461-462-463-464-465-466-467-468-469-470-471-472-473-474-475-476-477-478-479-480-481-482-483-484-485-486-487-488-489-490-491-492-493-494-495-496-497-498-499-500-501-502-503-504-505-506-507-508-509-510-511-512-513-514-515-516-517-518-519-520-521-522-523-524-525-526-527-528-529-530-531-532-533-534-535-536-537-538-539-540-541-542-543-544-545-546-547-548-549-550-551-552-553-554-555-556-557-558-559-560-561-562-563-564-565-566-567-568-569-570-571-572-573-574-575-576-577-578-579-580-581-582-583-584-585-586-587-588-589-590-591-592-593-594-595-596-597-598-599-600-601-602-603-604-605-606-607-608-609-610-611-612-613-614-615-616-617-618-619-620-621-622-623-624-625-626-627-628-629-630-631-632-633-634-635-636-637-638-639-640-641-642-643-644-645-646-647-648-649-650-651-652-653-654-655-656-657-658-659-660-661-662-663-664-665-666-667-668-669-670-671-672-673-674-675-676-677-678-679-680-681-682-683-684-685-686-687-688-689-690-691-692-693-694-695-696-697-698-699-700-701-702-703-704-705-706-707-708-709-710-711-712-713-714-715-716-717-718-719-720-721-722-723-724-725-726-727-728-729-730-731-732-733-734-735-736-737-738-739-740-741-742-743-744-745-746-747-748-749-750-751-752-753-754-755-756-757-758-759-760-761-762-763-764-765-766-767-768-769-770-771-772-773-774-775-776-777-778-779-780-781-782-783-784-785-786-787-788-789-790-791-792-793-794-795-796-797-798-799-800-801-802-803-804-805-806-807-808-809-810-811-812-813-814-815-816-817-818-819-820-821-822-823-824-825-826-827-828-829-830-831-832-833-834-835-836-837-838-839-840-841-842-843-844-845-846-847-848-849-850-851-852-853-854-855-856-857-858-859-860-861-862-863-864-865-866-867-868-869-870-871-872-873-874-875-876-877-878-879-880-881-882-883-884-885-886-887-888-889-890-891-892-893-894-895-896-897-898-899-900-901-902-903-904-905-906-907-908-909-910-911-912-913-914-915-916-917-918-919-920-921-922-923-924-925-926-927-928-929-930-931-932-933-934-935-936-937-938-939-940-941-942-943-944-945-946-947-948-949-950-951-952-953-954-955-956-957-958-959-960-961-962-963-964-965-966-967-968-969-970-971-972-973-974-975-976-977-978-979-980-981-982-983-984-985-986-987-988-989-990-991-992-993-994-995-996-997-998-999-1000

FIGURES 8, 9, 10 SIDE ROTARY HEAD, ANGULAR ACTUATION							
CATALOG LISTING	CONTACT BLOCK DIAGRAM	NOMINAL TRAVELS AND RELATED TERMINALS <small>■ CONTACT CLOSED, □ CONTACT OPEN, ▨ CONTACT CLOSED DIFFERENTIAL TRAVEL, ** POSITIVE OPENING TO IEC 947-5-1</small>	MAXIMUM OPERATING FORCE N LB-IN	MAXIMUM DISCONNECT FORCE N LB-IN	MAX OPERATE DEGREE/S	MIN OPERATE DEGREE/S	MAX OPERATE FREQUENCY OPS/MIN
GL**01A GL**07A	SNAP - ACTION CONTACTS SINGLE POLE	21-22 26° 55+** 85° 13-14 12° DIFFERENTIAL TRAVEL	.330 2.9	.385 3.4	1290	13	250
GL**03A GL**33A	SLOW ACTING BREAK BEFORE MAKE	21-22 26+** 85° 13-14 38°	.330 2.9	.385 3.4	1290	13	250
GL**04A GL**34A	SLOW ACTING MAKE BEFORE BREAK	21-22 38+** 85° 13-14 26°	.330 2.9	.400 3.5	1290	13	250
GL**05A GL**35A	SLOW ACTING	13-14 38° 85° 23-24	.330 2.9	.385 3.4	1290	13	250
GL**06A GL**36A	SLOW ACTING	11-12 26+** 85° 21-22	.330 2.9	.385 3.4	1290	13	250
GL**20A GL**22A GL**24A GL**32A	SNAP ACTION CONTACTS DOUBLE POLE	11-12, 21-22 26° 55+** 85° 13-14, 23-24 12° DIFFERENTIAL TRAVEL	.330 2.9	.385 3.4	1290	13	250
GL**21A GL**25A GL**28A GL**31A	STEP SNAP ACTION CONTACTS DOUBLE POLE SEQUENTIAL	11-12 27 42 13-14 21-22 23-24 8 DIFFERENTIAL TRAVEL	.330 2.9	N/A	1290	13	250

SIDE ROTARY HEAD, CAM ACTUATION PER EN50041, FIGURES 8 AND 9							
CATALOG LISTING	CONTACT BLOCK DIAGRAM	NOMINAL TRAVELS AND RELATED TERMINALS <small>■ CONTACT CLOSED, □ CONTACT OPEN, ▨ CONTACT CLOSED DIFFERENTIAL TRAVEL, ** POSITIVE OPENING TO IEC 947-5-1</small> <small>DIMENSIONS IN mm</small>	MAXIMUM OPERATING FORCE N LB	MAXIMUM DISCONNECT FORCE N LB	MAX OPERATE VEL. M/S IN/S	MIN OPERATE VEL. M/S IN/S	MAX OPERATE FREQUENCY OPS/MIN
GL**01A GL**07A	SNAP - ACTION CONTACTS SINGLE POLE	21-22 20 56** 13-14 12 DIFFERENTIAL TRAVEL	9.7 2.2	11.4 2.6	.85 33.5	8.5 .33	250
GL**03A GL**33A	SLOW ACTING BREAK BEFORE MAKE	21-22 20+** 13-14 32	9.7 2.2	11.4 2.6	.85 33.5	8.5 .33	250
GL**04A GL**34A	SLOW ACTING MAKE BEFORE BREAK	21-22 32 13-14 20	9.7 2.2	11.4 2.6	.85 33.5	8.5 .33	250
GL**05A GL**35A	SLOW ACTING	13-14 32° 85° 23-24	9.7 2.2	11.4 2.6	.85 33.5	8.5 .33	250
GL**06A GL**36A	SLOW ACTING	11-12 20+** 21-22	9.7 2.2	11.4 2.6	.85 33.5	8.5 .33	250
GL**20A GL**22A GL**24A GL**32A	SNAP ACTION CONTACTS DOUBLE POLE	11-12, 21-22 20 56** 13-14, 23-24 12 DIFFERENTIAL TRAVEL	9.7 2.2	11.8 2.7	.85 33.5	8.5 .33	250
GL**21A GL**25A GL**28A GL**31A	STEP SNAP ACTION CONTACTS DOUBLE POLE SEQUENTIAL	11-12 20 38.5 13-14 21-22 23-24 8.5 DIFFERENTIAL TRAVEL	9.7 2.2	N/A	.85 33.5	8.5 .33	250
GL**26J GL**27J GL**29J GL**30J	SNAP ACTION CONTACTS DOUBLE POLE CENTER NEUTRAL	11-12 16 13-14 21-22 23-24 8 DIFFERENTIAL TRAVEL	9.7 2.2	N/A	.85 33.5	8.5 .33	250

THIS DRAWING COVERS A PROPRIETARY ITEM AND IS THE PROPERTY OF MICRO SWITCH, A DIVISION OF HONEYWELL. THIS DRAWING IS NOT TO BE COPIED OR USED WITHOUT THE APPROVAL OF MICRO SWITCH.  
 MICRO SWITCH HONEYWELL DIVISION SWITCH, ENCLOSED GL SERIES CHART 1  
 ANSI Y14.5M-1982 APPLIES