

# MICRO SWITCH

A DIVISION OF MILWAUKEE-HONEYWELL REGULATOR COMPANY  
MILWAUKEE, WISCONSIN

FED. MFR. CODE 91929

# SWITCH-ENCLOSED

CATALOG LISTING  
**BZLN-2-RH3**

5

BZLN-2-RH3

M

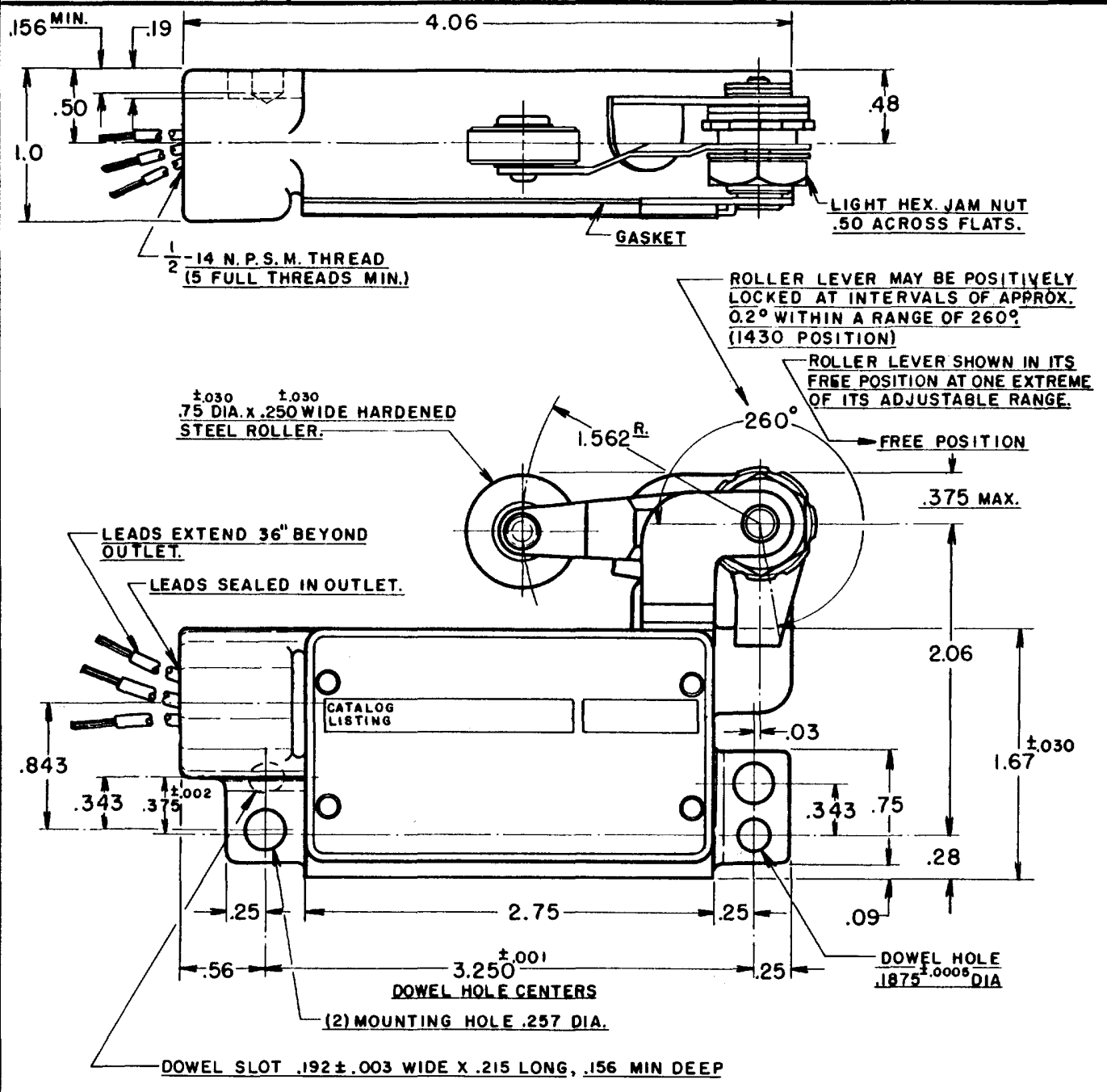
DRAWING NUMBER

8

ISSUE

REPLACES  
RELEASE NO. S.R. 5742  
CHECK *MJL* 4 Dec 56  
CHECK *ACG* 4 Oct 56  
CHECK *ACG* 27 Oct 64  
CHECK *WEG* 9 June 66  
CHECK *GJW* 28 Apr 82  
CHECK *LAD* 8 Oct 84  
CHECK *LAD* 3 Oct 86

REVISIONS	
A	CO18546 M B F 14 NOV 63
B	CO17653 J A N 31 AUG 64
C	CO11950 D A W 27 OCT 64
D	CO21551 W E G 9 JUNE 66
E	CO50714 G J W 28 APR 82
F	CO55988 M A M 31 OCT 84
G	CO81513B J A K 12 MAR 97



**WIRING CONNECTIONS**  
 COMMON - BLACK LEAD  
 NORMALLY CLOSED - RED LEAD  
 NORMALLY OPEN - BLUE LEAD

THIS DRAWING COVERS A PROPRIETARY ITEM AND IS THE PROPERTY OF MICRO SWITCH, A DIVISION OF HONEYWELL. THIS DRAWING IS NOT TO BE COPIED OR USED WITHOUT THE APPROVAL OF MICRO SWITCH.

CHARACTERISTICS	ELECTRICAL DATA	SCALE - FULL
OPERATING FORCE - - - - 3 LBS. MAX.	CONTACT ARRANGEMENT S.R.D.T.	DO NOT SCALE PRINT
RELEASE FORCE - - - - 1/4 LB. MIN.	-L96- 15 A-125, 250, OR 480 VAC 1/2 A-125 VDC; 1/4 A-250 VDC 1/8 HP-125 VAC, 1/4 HP-250 VAC	UNLESS OTHERWISE SPECIFIED DIMENSIONS ARE IN INCHES
PRETRAVEL - - - - (3°)-0.78 MAX.		<b>TOLERANCES ARE:</b>
DIFFERENTIAL TRAVEL - (1/2°)-0.14 MAX.		ONE PLACE (.0) ±.030
OVERTRAVEL - - - - (17°)-.469 MIN.		TWO PLACE (.00) ±.015
		THREE PLACE (.000) ±.008
		ANGLES ±
		WEIGHT .850 LB. PLUS LEADS

FORMTEK  
DRAWN