



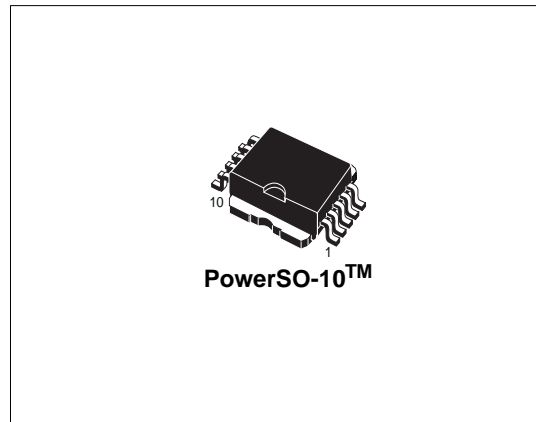
VN330SP

QUAD HIGH SIDE SMART POWER SOLID STATE RELAY

TYPE	$V_{\text{demag}}^{(*)}$	$R_{\text{DSon}}^{(*)}$	$I_{\text{out}}^{(*)}$	V_{CC}
VN330SP	$V_{\text{CC}}-55\text{V}$	$0.32\Omega^{(**)}$	0.7A	36 V

(*) Per channel
(**) at $T_f=85^\circ\text{C}$

- OUTPUT CURRENT: 0.7A PER CHANNEL
- DIGITAL INPUTS CLAMPED AT 32V MINIMUM VOLTAGE
- SHORTED LOAD AND OVERTEMPERATURE PROTECTIONS
- BUILT-IN CURRENT LIMITER
- UNDERVOLTAGE SHUT-DOWN
- OPEN DRAIN DIAGNOSTIC OUTPUT
- FAST DEMAGNETIZATION OF INDUCTIVE LOADS

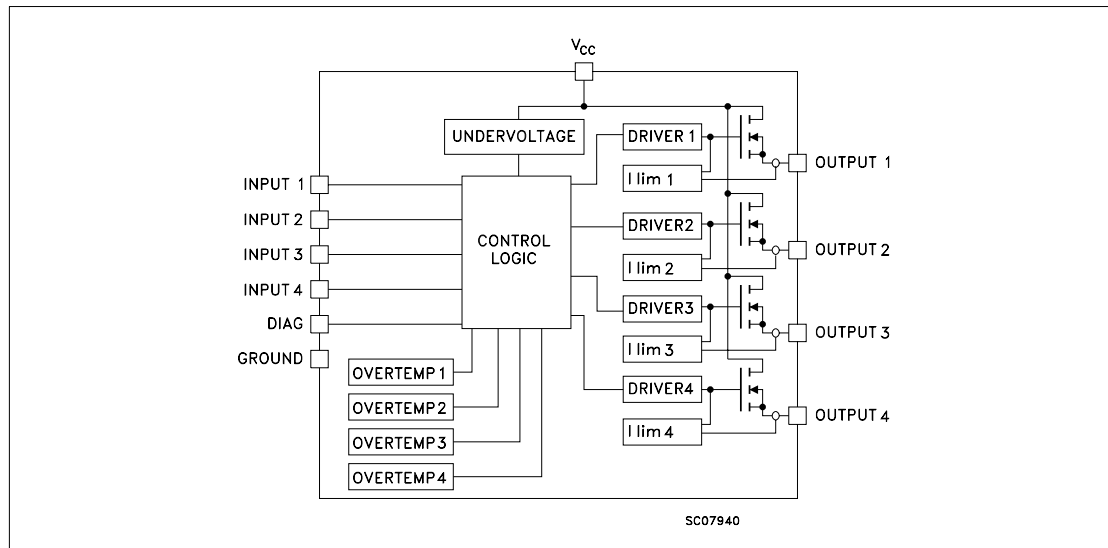


DESCRIPTION

The VN330SP is a monolithic device made using STMicroelectronics VIPower technology, intended for driving four independent resistive or inductive loads with one side connected to ground. Active current limitation avoids dropping the system power supply in case of shorted load. Built-in thermal shut-down protects the chip from

overtemperature and short circuit. The open drain diagnostic output indicates short circuit and overtemperature conditions.

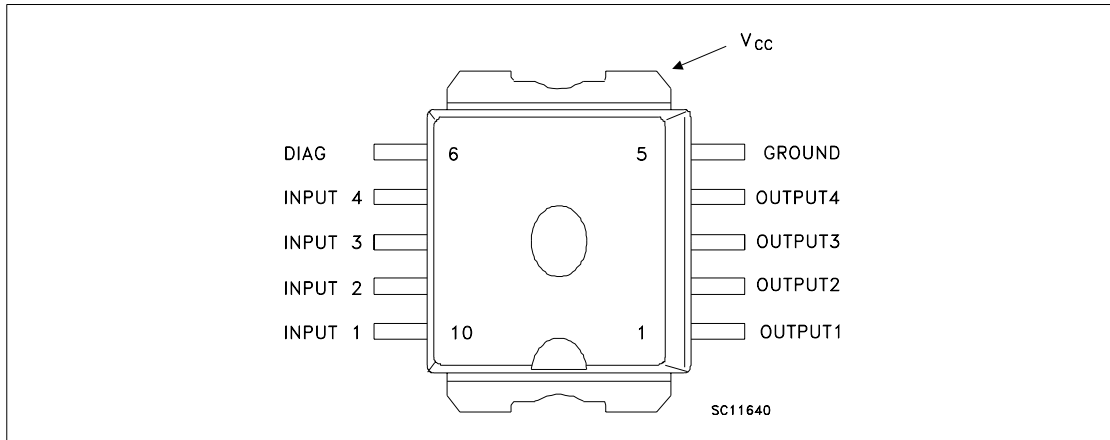
BLOCK DIAGRAM



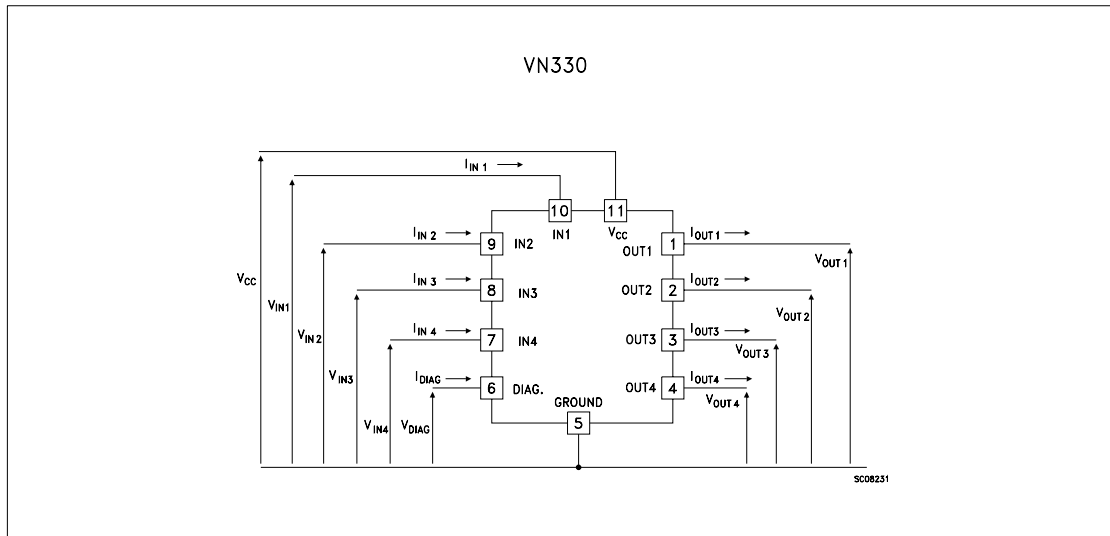
ABSOLUTE MAXIMUM RATING

Symbol	Parameter	Value	Unit
V_{CC}	Power supply voltage	45	V
$-V_{CC}$	Reverse supply voltage	-0.3	V
I_{OUT}	Output current (continuous)	Internally limited	A
I_R	Reverse output current (per channel)	-6	A
I_{IN}	Input current (per channel)	± 10	mA
I_{DIAG}	Diag pin current	± 10	mA
V_{ESD}	Electrostatic discharge (R=1.5K Ω ; C=100pF)	2000	V
E_{AS}	Single pulse avalanche energy per channel not simultaneously (see figure 1)	400	mJ
P_{tot}	Power dissipation at $T_c \leq 25^\circ\text{C}$	Internally limited	W
T_j	Junction operating temperature	Internally limited	$^\circ\text{C}$
T_{stg}	Storage temperature	-55 to 150	$^\circ\text{C}$

CONNECTION DIAGRAM TOP VIEW



CURRENT AND VOLTAGE CONVENTIONS



THERMAL DATA

Symbol	Parameter	Value	Unit
$R_{thj-case}$	Thermal resistance junction-case (1) (MAX)	2	°C/W
$R_{thj-amb}$	Thermal resistance junction-ambient (\$) (MAX)	50	°C/W

(1) All channels ON
 (\$) When mounted using minimum recommended pad size on FR-4 board

ELECTRICAL CHARACTERISTICS (10V < V_{CC} < 36V; -25°C < T_j < 125°C; unless otherwise specified)

POWER

Symbol	Parameter	Test Conditions	Min	Typ	Max	Unit
V_{CC}	Supply voltage		10		36	V
R_{ON}	On state resistance	$I_{OUT}=0.5A$; $T_j=125^\circ C$ $I_{OUT}=0.5A$; $T_j=85^\circ C$			0.4 0.32	Ω Ω
I_S	Supply current	All channels off On state; $T_j=125^\circ C$; $I_{OUTn}=0V$			1 10	mA mA
V_{demag}	Output voltage at turn-off	$I_{OUT}=0.5A$; $L_{LOAD}=1mH$	$V_{CC}-65$	$V_{CC}-55$	$V_{CC}-45$	V

SWITCHING ($V_{CC}=24V$)

Symbol	Parameter	Test Conditions	Min	Typ	Max	Unit
$t_{d(on)}$	Turn-on delay time of output current	$I_{OUT}=0.5A$, Resistive Load Input rise time < 0.1 μs $T_j=25^\circ C$ $T_j=125^\circ C$		30	40 60	μs μs
t_r	Rise time of output current	$I_{OUT}=0.5A$, Resistive Load Input rise time < 0.1 μs $T_j=25^\circ C$ $T_j=125^\circ C$		50	100 115	μs μs
$t_{d(off)}$	Turn-off delay time of output current	$I_{OUT}=0.5A$, Resistive Load Input rise time < 0.1 μs $T_j=25^\circ C$ $T_j=125^\circ C$		20	30 40	μs μs
t_f	Fall time of output current	$I_{OUT}=0.5A$, Resistive Load Input rise time < 0.1 μs $T_j=25^\circ C$ $T_j=125^\circ C$		8	15 20	μs μs
$(di/dt)_{on}$	Turn-on current slope	$I_{OUT}=0.5A$ $I_{OUT}=I_{LIM}$; $T_j=25^\circ C$			0.5 2	A/ μs A/ μs
$(di/dt)_{off}$	Turn-off current slope	$I_{OUT}=0.5A$ $I_{OUT}=I_{LIM}$; $T_j=25^\circ C$			2 4	A/ μs A/ μs

ELECTRICAL CHARACTERISTICS (continued)**LOGIC INPUT** (Per each channel)

Symbol	Parameter	Test Conditions	Min	Typ	Max	Unit
V_{IL}	Input low level voltage				2	V
V_{IH}	Input high level voltage (see note 1)		3.5			V
$V_{I(HYST)}$	Input hysteresis voltage			0.5		V
I_{IN}	Input current	$V_{IN}=0$ to 30V $V_{IN}=0$ to 2V	25		600	μ A μ A
I_{LGND}	Output current in ground disconnection	$V_{CC}=V_{INn}=GND=DIAG=24V$; $T_j=25^\circ C$			25	mA
V_{ICL}	Input clamp voltage (see note 1)	$I_{IN}=1mA$ $I_{IN}=-1mA$	32	36 -0.7		V V

Note 1: The input voltage is internally clamped at 32V minimum, it is possible to connect the input pins to an higher voltage via an external resistor calculate to not exceed 10mA.

PROTECTION AND DIAGNOSTICS

Symbol	Parameter	Test Conditions	Min	Typ	Max	Unit
$V_{DIAG} (*)$	Status voltage output low	$I_{STAT}=5mA$ (Fault condition)			1	V
$V_{SCL} (*)$	Status clamp voltage	$I_{DIAG}=1mA$ $I_{DIAG}=-1mA$	32	36 -0.7		V V
V_{USD}	Undervoltage shut down		5		8	V
V_{OL}	Low state output voltage	$V_{IN}=V_{ILj}$; $R_{LOAD}\geq 10M\Omega$			1.5	V
I_{LIM}	DC Short circuit current	$V_{CC}=24V$; $R_{LOAD}<10m\Omega$	0.7		2.5	A
I_{OVPK}	Peak short circuit current	$V_{CC}=24V$; $V_{IN}=30V$; $R_{LOAD}<10m\Omega$ (see figure 2)			4	A
I_{DIAGH}	Leakage on diag pin in high state	$V_{DIAG}=24V$			100	μ A
I_{LOAD}	Output leakage current	$V_{CC}=10$ to 36V; $V_{IN}=V_{IL}$			50	μ A
t_{SC}	Delay time of current limiter				100	μ s
T_{TSD}	Thermal shut down temperature		150	170		$^\circ C$
T_R	Reset temperature		135	155		$^\circ C$

(*) Status determination > 100 μ s after the switching edge.

Note: If INPUT pin is left floating the corresponding channel will automatically switch off. If GND pin is disconnected, all channels will switch off provided V_{CC} does not exceed 36V.

FIGURE 1: Avalanche Energy Test Circuit

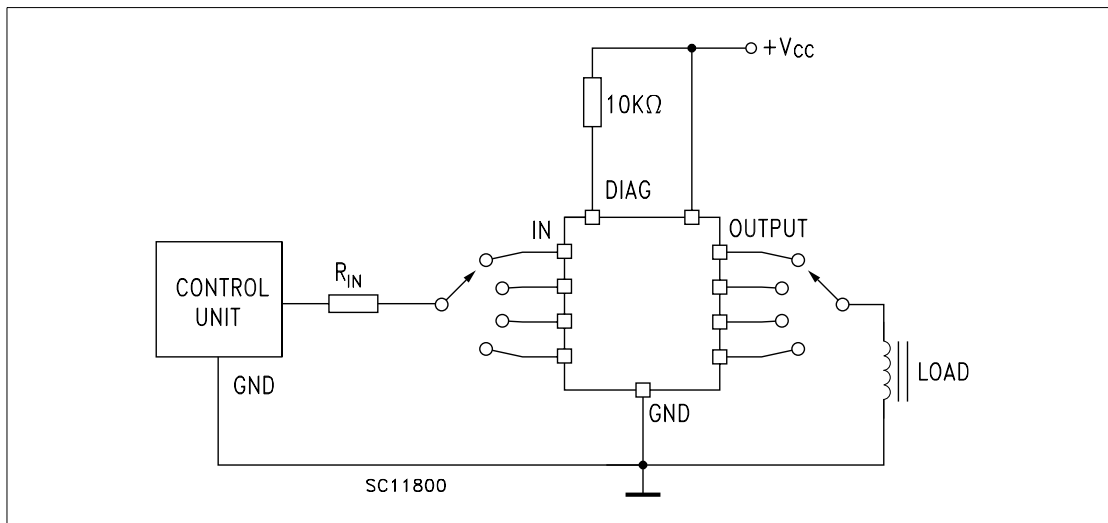
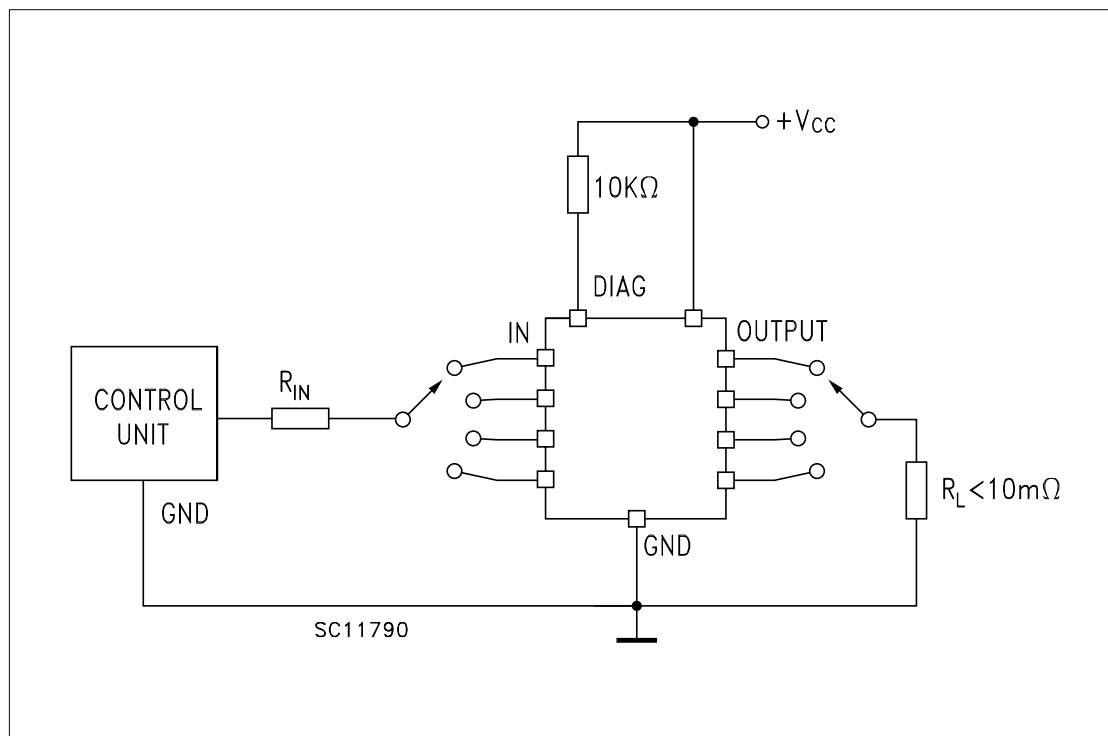


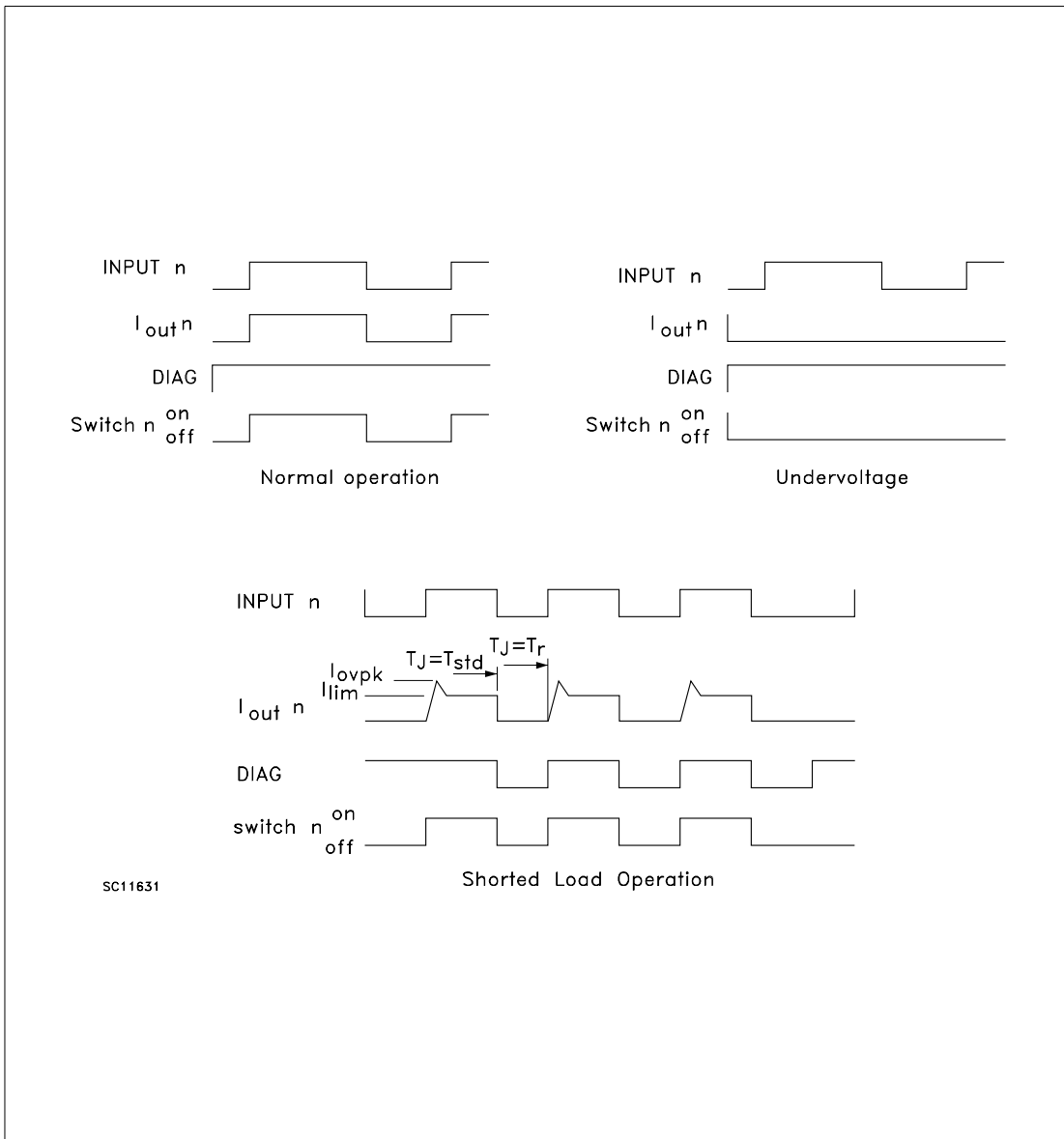
FIGURE 2: Peak Short Circuit Current Test Circuit



THRUTH TABLE

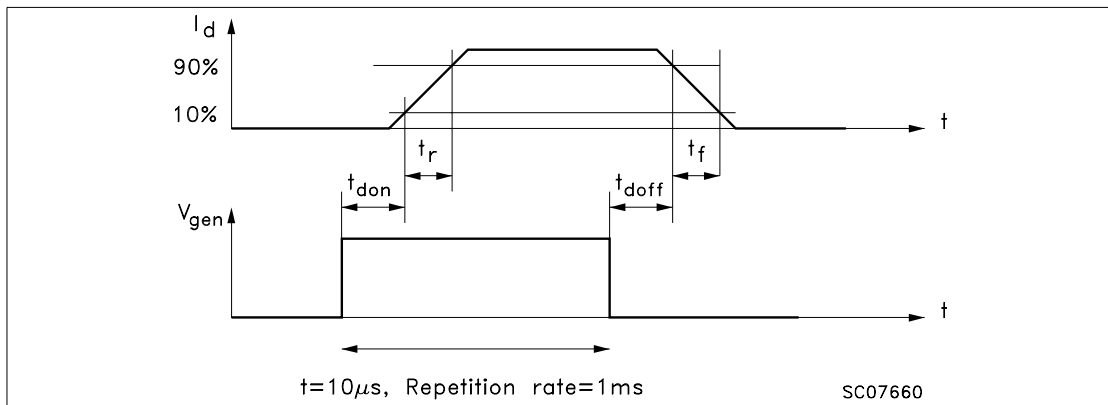
	INPUTn	OUTPUTn	DIAGNOSTIC
Normal operation	L	L	H
	H	H	H
Overtemperature	L	L	H
	H	L	L
Undervoltage	L	L	H
	H	L	H
Shorted load (Current limitation)	L	L	H
	H	H	H

Figure 3: Switching Waveforms

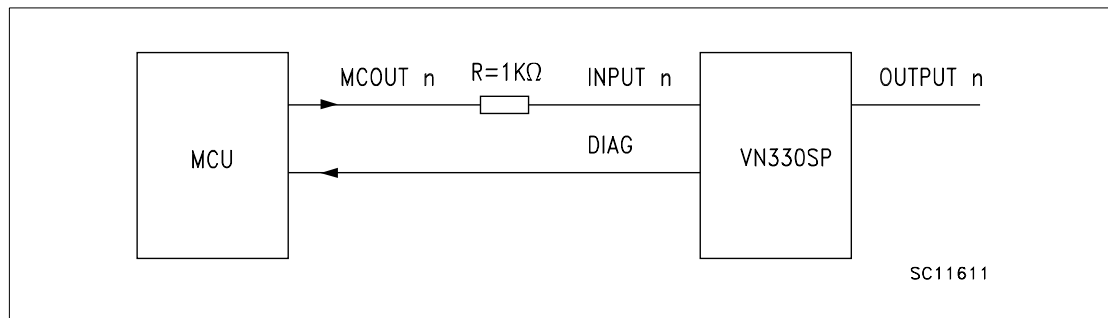


VN330SP

SWITCHING PARAMETERS TEST CONDITIONS



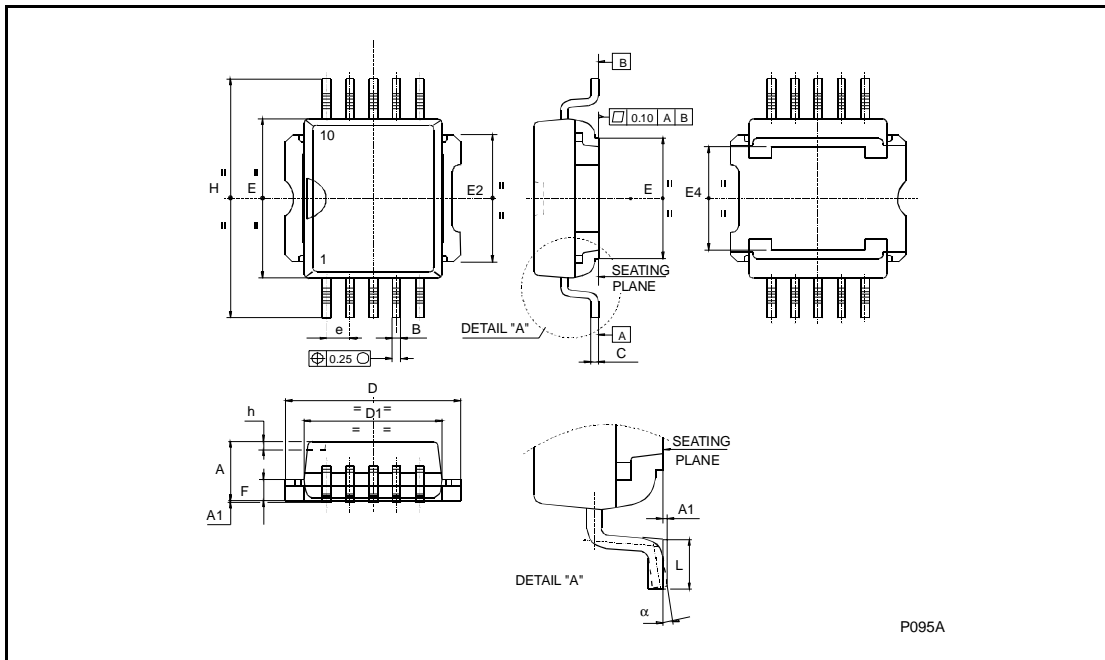
DRIVING CIRCUIT



PowerSO-10™ MECHANICAL DATA

DIM.	mm.			inch		
	MIN.	TYP	MAX.	MIN.	TYP.	MAX.
A	3.35		3.65	0.132		0.144
A (*)	3.4		3.6	0.134		0.142
A1	0.00		0.10	0.000		0.004
B	0.40		0.60	0.016		0.024
B (*)	0.37		0.53	0.014		0.021
C	0.35		0.55	0.013		0.022
C (*)	0.23		0.32	0.009		0.0126
D	9.40		9.60	0.370		0.378
D1	7.40		7.60	0.291		0.300
E	9.30		9.50	0.366		0.374
E2	7.20		7.60	0.283		300
E2 (*)	7.30		7.50	0.287		0.295
E4	5.90		6.10	0.232		0.240
E4 (*)	5.90		6.30	0.232		0.248
e		1.27			0.050	
F	1.25		1.35	0.049		0.053
F (*)	1.20		1.40	0.047		0.055
H	13.80		14.40	0.543		0.567
H (*)	13.85		14.35	0.545		0.565
h		0.50			0.002	
L	1.20		1.80	0.047		0.070
L (*)	0.80		1.10	0.031		0.043
α	0°		8°	0°		8°
α (*)	2°		8°	2°		8°

(*) Muar only POA P013P



Information furnished is believed to be accurate and reliable. However, STMicroelectronics assumes no responsibility for the consequences of use of such information nor for any infringement of patents or other rights of third parties which may result from its use. No license is granted by implication or otherwise under any patent or patent rights of STMicroelectronics. Specifications mentioned in this publication are subject to change without notice. This publication supersedes and replaces all information previously supplied. STMicroelectronics products are not authorized for use as critical components in life support devices or systems without express written approval of STMicroelectronics.

The ST logo is a trademark of STMicroelectronics

© 2000 STMicroelectronics - Printed in ITALY- All Rights Reserved.

STMicroelectronics GROUP OF COMPANIES

Australia - Brazil - China - Finland - France - Germany - Hong Kong - India - Italy - Japan - Malaysia - Malta - Morocco -
Singapore - Spain - Sweden - Switzerland - United Kingdom - U.S.A.

<http://www.st.com>