

# DDR SDRAM RDIMM

MT9VDDF3272 – 256MB

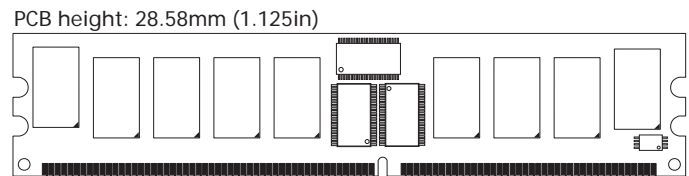
MT9VDDF6472 – 512MB

For component data sheets, refer to Micron's Web site: [www.micron.com](http://www.micron.com)

## Features

- 184-pin, registered dual in-line memory module (RDIMM)
- Fast data transfer rates: PC2100, PC2700, or PC3200
- 256MB (32 Meg x 72) and 512MB (64 Meg x 72)
- Supports ECC error detection and correction
- VDD = VDDQ = +2.5V  
(-40B: VDD = VDDQ = +2.6V)
- VDDSPD = +2.3V to +3.6V
- 2.5V I/O (SSTL\_2-compatible)
- Internal, pipelined double data rate (DDR) 2n-prefetch architecture
- Bidirectional data strobe (DQS) transmitted/received with data—that is, source-synchronous data capture
- Differential clock inputs (CK and CK#)
- Multiple internal device banks for concurrent operation
- Single rank
- Selectable burst lengths (BL): 2, 4, or 8
- Auto precharge option
- Auto refresh and self refresh modes: 7.8125µs maximum average periodic refresh interval
- Serial presence-detect (SPD) with EEPROM
- Selectable CAS latency (CL) for maximum compatibility
- Gold edge contacts

Figure 2: R/C A (-335, -262, -26A -265)



## Options

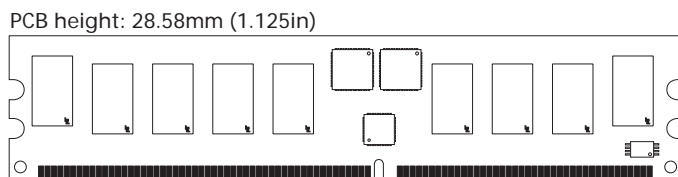
- Operating temperature<sup>1</sup>
  - Commercial (0°C ≤ T<sub>A</sub> ≤ +70°C) None
  - Industrial (-40°C ≤ T<sub>A</sub> ≤ +85°C) I
- Package
  - 200-pin DIMM (standard) G
  - 200-pin DIMM (Pb-free) Y
- Memory clock, speed, CAS latency<sup>2</sup>
  - 5ns (200 MHz), 400 MT/s, CL = 3 -40B
  - 6ns (166 MHz), 333 MT/s, CL = 2.5 -335
  - 7.5ns (133 MHz), 266 MT/s, CL = 2 -262
  - 7.5ns (133 MHz), 266 MT/s, CL = 2 -26A
  - 7.5ns (133 MHz), 266 MT/s, CL = 2.5 -265

## Marking

- Notes: 1. Contact Micron for industrial temperature module offerings.  
2. CL = CAS (READ) latency; registered mode will add one clock cycle to CL.

## 184-Pin RDIMM (MO-206) Figures

Figure 1: R/C G (-40B, -335, -265)



**Table 1: Key Timing Parameters**

Speed Grade	Industry Nomenclature	Data Rate (MT/s)			$t_{RCD}$ (ns)	$t_{RP}$ (ns)	$t_{RC}$ (ns)	Notes
		CL = 3	CL = 2.5	CL = 2				
-40B	PC3200	400	333	266	15	15	55	
-335	PC2700	–	333	266	18	18	60	1
-262	PC2100	–	266	266	15	15	60	
-26A	PC2100	–	266	266	20	20	65	
-265	PC2100	–	266	200	20	20	65	

Notes: 1. The values of  $t_{RCD}$  and  $t_{RP}$  for -335 modules show 18ns to align with industry specifications; actual DDR SDRAM device specifications are 15ns.

**Table 2: Addressing**

Parameter	256MB	512MB
Refresh count	8K	8K
Row address	8K (A0–A12)	8K (A0–A12)
Device bank address	4 (BA0, BA1)	4 (BA0, BA1)
Device configuration	256Mb (32 Meg x 8)	512Mb (64 Meg x 8)
Column address	1K (A0–A9)	2K (A0–A9, A11)
Module rank address	1 (S0#)	1 (S0#)

**Table 3: Part Numbers and Timing Parameters – 256MB Modules**

Base device: MT46V32M8,<sup>1</sup> 256Mb DDR SDRAM

Part Number <sup>2</sup>	Module Density	Configuration	Module Bandwidth	Memory Clock/ Data Rate	Clock Cycles (CL- $t_{RCD}$ - $t_{RP}$ )
MT9VDDF3272G-40B__	256MB	32 Meg x 72	3.2 GB/s	5ns/400 MT/s	3-3-3
MT9VDDF3272Y-40B__	256MB	32 Meg x 72	3.2 GB/s	5ns/400 MT/s	3-3-3
MT9VDDF3272G-335__	256MB	32 Meg x 72	2.7 GB/s	6ns/333 MT/s	2.5-3-3
MT9VDDF3272Y-335__	256MB	32 Meg x 72	2.7 GB/s	6ns/333 MT/s	2.5-3-3
MT9VDDF3272G-262__	256MB	32 Meg x 72	2.1 GB/s	7.5ns/266 MT/s	2-2-2
MT9VDDF3272G-26A__	256MB	32 Meg x 72	2.1 GB/s	7.5ns/266 MT/s	2-3-3
MT9VDDF3272G-265__	256MB	32 Meg x 72	2.1 GB/s	7.5ns/266 MT/s	2.5-3-3

Notes: 1. Data sheets for the base devices can be found on Micron's Web site.  
2. All part numbers end with a two-place code (not shown) that designates component and PCB revisions. Consult factory for current revision codes. Example: MT9VDDF3272Y-335G3.

**Table 4: Part Numbers and Timing Parameters – 512MB Modules**

Base device: MT46V64M8,<sup>1</sup> 512Mb DDR SDRAM

Part Number <sup>2</sup>	Module Density	Configuration	Module Bandwidth	Memory Clock/ Data Rate	Clock Cycles (CL- <sup>t</sup> RCD- <sup>t</sup> RP)
MT9VDDF6472G-40B__	512MB	64 Meg x 72	3.2 GB/s	5ns/400 MT/s	3-3-3
MT9VDDF6472Y-40B__	512MB	64 Meg x 72	3.2 GB/s	5ns/400 MT/s	3-3-3
MT9VDDF6472G-335__	512MB	64 Meg x 72	2.7 GB/s	6ns/333 MT/s	2.5-3-3
MT9VDDF6472Y-335__	512MB	64 Meg x 72	2.7 GB/s	6ns/333 MT/s	2.5-3-3
MT9VDDF6472G-265__	512MB	64 Meg x 72	2.1 GB/s	7.5ns/266 MT/s	2.5-3-3
MT9VDDF6472Y-265__	512MB	64 Meg x 72	2.1 GB/s	7.5ns/266 MT/s	2.5-3-3

- Notes:
1. Data sheets for the base devices can be found on Micron's Web site.
  2. All part numbers end with a two-place code (not shown) that designates component and PCB revisions. Consult factory for current revision codes. Example: MT9VDDF6472Y-335E1.

## Pin Assignments and Descriptions

**Table 5: Pin Assignments**

184-Pin DDR RDIMM Front								184-Pin DDR RDIMM Back							
Pin	Symbol	Pin	Symbol	Pin	Symbol	Pin	Symbol	Pin	Symbol	Pin	Symbol	Pin	Symbol		
1	VREF	24	DQ17	47	DQS8	70	VDD	93	Vss	116	Vss	139	Vss	162	DQ47
2	DQ0	25	DQS2	48	A0	71	NC	94	DQ4	117	DQ21	140	DM8	163	NC
3	Vss	26	Vss	49	CB2	72	DQ48	95	DQ5	118	A11	141	A10	164	VDDQ
4	DQ1	27	A9	50	Vss	73	DQ49	96	VDDQ	119	DM2	142	CB6	165	DQ52
5	DQS0	28	DQ18	51	CB3	74	Vss	97	DM0	120	VDD	143	VDDQ	166	DQ53
6	DQ2	29	A7	52	BA1	75	NC	98	DQ6	121	DQ22	144	CB7	167	NC
7	VDD	30	VDDQ	53	DQ32	76	NC	99	DQ7	122	A8	145	Vss	168	VDD
8	DQ3	31	DQ19	54	VDDQ	77	VDDQ	100	Vss	123	DQ23	146	DQ36	169	DM6
9	NC	32	A5	55	DQ33	78	DQS6	101	NC	124	Vss	147	DQ37	170	DQ54
10	RESET#	33	DQ24	56	DQS4	79	DQ50	102	NC	125	A6	148	VDD	171	DQ55
11	Vss	34	Vss	57	DQ34	80	DQ51	103	NC	126	DQ28	149	DM4	172	VDDQ
12	DQ8	35	DQ25	58	Vss	81	Vss	104	VDDQ	127	DQ29	150	DQ38	173	NC
13	DQ9	36	DQS3	59	BA0	82	NC	105	DQ12	128	VDDQ	151	DQ39	174	DQ60
14	DQS1	37	A4	60	DQ35	83	DQ56	106	DQ13	129	DM3	152	Vss	175	DQ61
15	VDDQ	38	VDD	61	DQ40	84	DQ57	107	DM1	130	A3	153	DQ44	176	Vss
16	NC	39	DQ26	62	VDDQ	85	VDD	108	VDD	131	DQ30	154	RAS#	177	DM7
17	NC	40	DQ27	63	WE#	86	DQS7	109	DQ14	132	Vss	155	DQ45	178	DQ62
18	Vss	41	A2	64	DQ41	87	DQ58	110	DQ15	133	DQ31	156	VDDQ	179	DQ63
19	DQ10	42	Vss	65	CAS#	88	DQ59	111	NC	134	CB4	157	S0#	180	VDDQ
20	DQ11	43	A1	66	Vss	89	Vss	112	VDDQ	135	CB5	158	NC	181	SA0
21	CKE0	44	CB0	67	DQS5	90	NC	113	NC	136	VDDQ	159	DM5	182	SA1
22	VDDQ	45	CB1	68	DQ42	91	SDA	114	DQ20	137	CK0	160	Vss	183	SA2
23	DQ16	46	VDD	69	DQ43	92	SCL	115	A12	138	CK0#	161	DQ46	184	VDDSPD

**Table 6: Pin Descriptions**

Symbol	Type	Description
A0–A12	Input	<b>Address inputs:</b> Provide the row address for ACTIVE commands, and the column address and auto precharge bit (A10) for READ/WRITE commands, to select one location out of the memory array in the respective device bank. A10 sampled during a PRECHARGE command determines whether the PRECHARGE applies to one device bank (A10 LOW, device bank selected by BA0 and BA1) or all device banks (A10 HIGH). The address inputs also provide the op-code during a MODE REGISTER SET command. BA0 and BA1 define which mode register (mode register or extended mode register) is loaded during the LOAD MODE REGISTER command.
BA0, BA1	Input	<b>Bank address:</b> BA0 and BA1 define the device bank to which an ACTIVE, READ, WRITE, or PRECHARGE command is being applied.
CK0, CK0#	Input	<b>Clock:</b> CK and CK# are differential clock inputs. All control, command, and address input signals are sampled on the crossing of the positive edge of CK and the negative edge of CK#. Output data (DQ and DQS) is referenced to the crossings of CK and CK#.
CKE0	Input	<b>Clock enable:</b> CKE enables (registered HIGH) and CKE disables (registered LOW) the internal clock, input buffers, and output drivers.
DM0–DM8	Input	<b>Input data mask:</b> DM is an input mask signal for write data. Input data is masked when DM is sampled HIGH, along with that input data, during a write access. DM is sampled on both edges of DQS. Although the DM pins are input-only, the DM loading is designed to match that of the DQ and DQS pins.
RAS#, CAS#, WE#	Input	<b>Command inputs:</b> RAS#, CAS#, and WE# (along with S#) define the command being entered.
RESET#	Input	<b>Reset:</b> Asynchronously forces all registered outputs LOW when RESET# is LOW. This signal can be used during power-up to ensure that CKE is LOW and DQ are High-Z.
S0#	Input	<b>Chip selects:</b> S# enables (registered LOW) and disables (registered HIGH) the command decoder.
SA0–SA2	Input	<b>Presence-detect address inputs:</b> These pins are used to configure the SPD EEPROM address range on the I <sup>2</sup> C bus.
SCL	Input	<b>Serial clock for SPD EEPROM:</b> SCL is used to synchronize the presence-detect data transfer to and from the module.
CB0–CB7	I/O	Check bits.
DQ0–DQ63	I/O	<b>Data input/output:</b> Data bus.
DQS0–DQS8	I/O	<b>Data strobe:</b> Output with read data. Edge-aligned with read data. Input with write data. Center-aligned with write data. Used to capture data.
SDA	I/O	<b>Serial data:</b> SDA is a bidirectional pin used to transfer addresses and data into and out of the presence-detect portion of the module.
VDD/VDDQ	Supply	<b>Power supply:</b> +2.5V ±0.2V (-40B: +2.6V ±0.1V).
VDDSPD	Supply	<b>SPD EEPROM power supply:</b> +2.3V to +3.6V.
VREF	Supply	SSTL_2 reference voltage (VDD/2).
VSS	Supply	Ground.
NC	-	<b>No connect:</b> These pins are not connected on the module.

### Functional Block Diagrams

Figure 3: Functional Block Diagram R/C G (-40B, -335, -265)

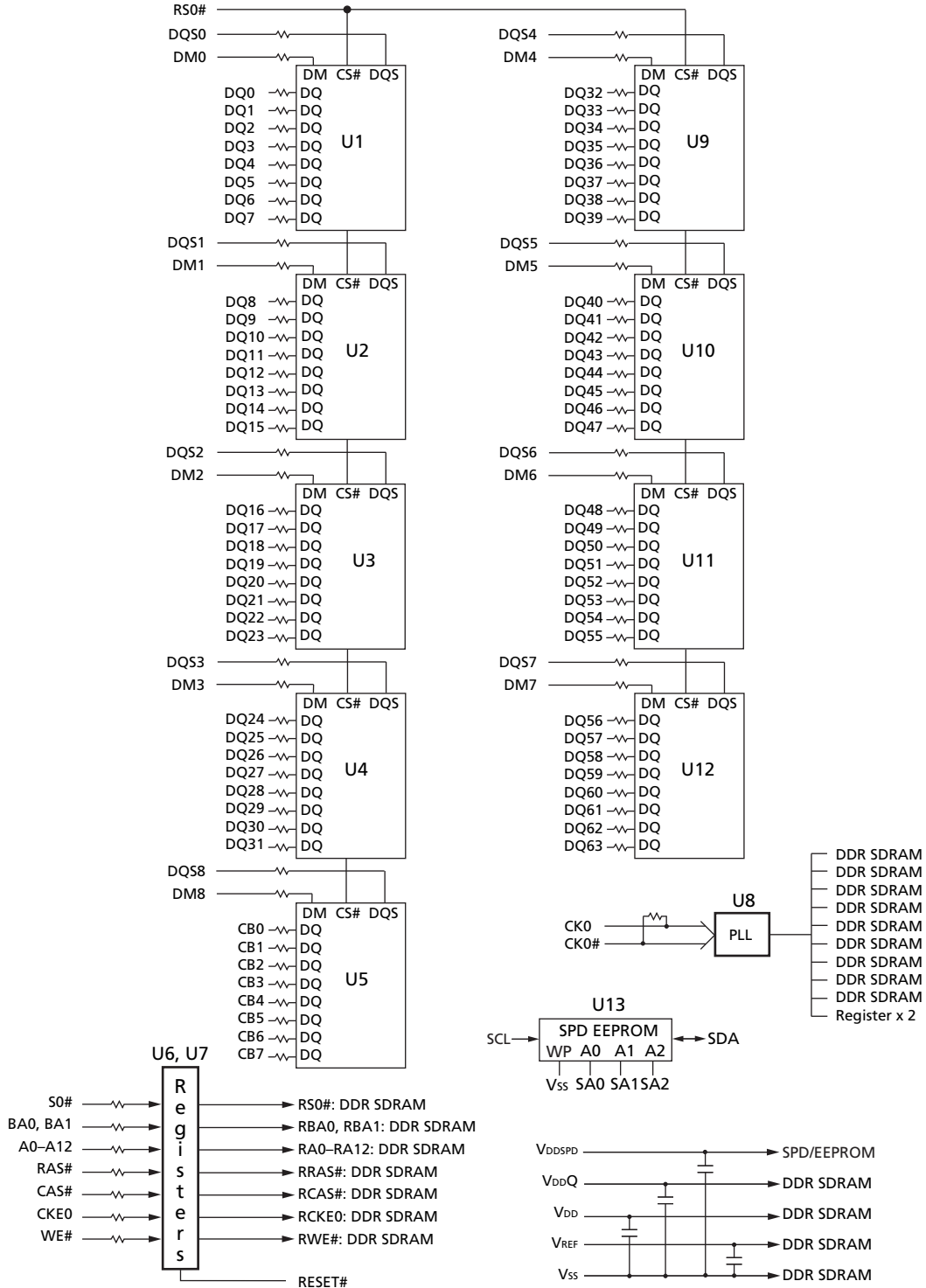
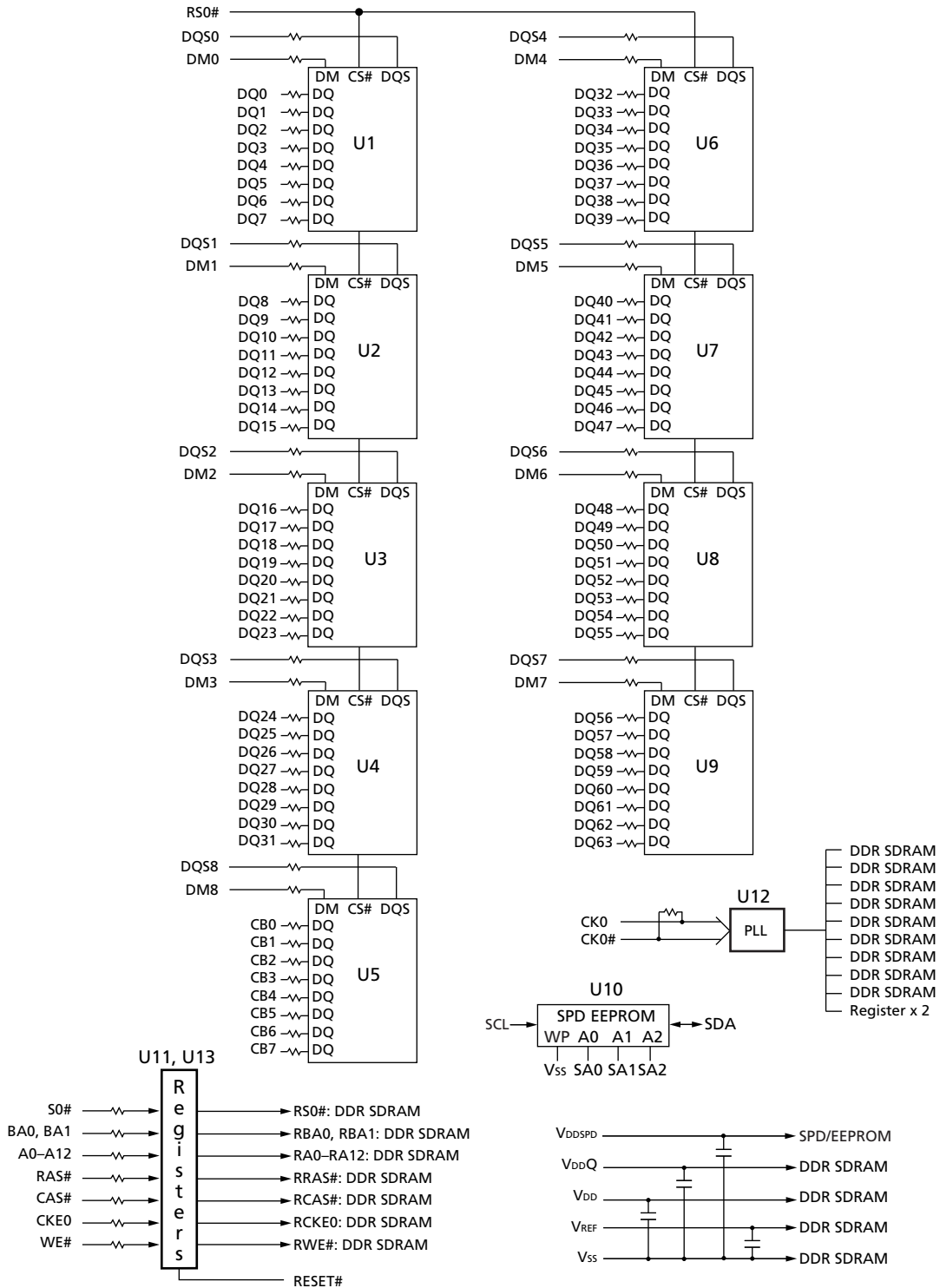


Figure 4: Functional Block Diagram R/C A (-335, -262, -26A, -265)



## General Description

The MT9VDDF3272 and MT9VDDF6472 are high-speed, CMOS dynamic random access 256MB and 512MB memory modules organized in a x72 configuration. These DDR SDRAM modules use internally configured four-bank (256Mb or 512Mb) DDR SDRAM devices.

DDR SDRAM modules use a double data rate architecture to achieve high-speed operation. The double data rate architecture is essentially a  $2n$ -prefetch architecture with an interface designed to transfer two data words per clock cycle at the I/O pins. A single read or write access for DDR SDRAM modules effectively consists of a single  $2n$ -bit-wide, one-clock-cycle data transfer at the internal DRAM core and two corresponding  $n$ -bit-wide, one-half-clock-cycle data transfers at the I/O pins.

A bidirectional data strobe (DQS) is transmitted externally, along with data, for use in data capture at the receiver. DQS is an intermittent strobe transmitted by the DDR SDRAM during READs and by the memory controller during WRITEs. DQS is edge-aligned with data for READs and center-aligned with data for WRITEs.

DDR SDRAM modules operate from differential clock inputs (CK and CK#); the crossing of CK going HIGH and CK# going LOW will be referred to as the positive edge of CK. Control, command, and address signals are registered at every positive edge of CK. Input data is registered on both edges of DQS, and output data is referenced to both edges of DQS, as well as to both edges of CK.

## Register and PLL Operation

These DDR SDRAM modules operate in registered mode, where the control, command, and address input signals are latched in the registers on the rising clock edge and sent to the DDR SDRAM devices on the following rising clock edge (data access is delayed by one clock cycle). A phase-lock loop (PLL) on the module receives and redrives the differential clock signals (CK, CK#) to the DDR SDRAM devices. The register(s) and PLL reduce control, command, address, and clock signals loading by isolating DRAM from the system controller. PLL clock timing is defined by JEDEC specifications and ensured by use of the JEDEC clock reference board. Registered mode will add one clock cycle to CL.

## Serial Presence-Detect Operation

DDR SDRAM modules incorporate serial presence-detect. The SPD data is stored in a 256-byte EEPROM. The first 128 bytes are programmed by Micron to identify the module type and various DDR SDRAM organizations and timing parameters. The remaining 128 bytes of storage are available for use by the customer. System READ/WRITE operations between the master (system logic) and the slave EEPROM device occur via a standard I<sup>2</sup>C bus using the DIMM's SCL (clock) and SDA (data) signals, together with SA[2:0], which provide eight unique DIMM/EEPROM addresses. Write protect (WP) is connected to V<sub>SS</sub>, permanently disabling hardware write protect.

## Electrical Specifications

Stresses greater than those listed in Table 7 may cause permanent damage to the module. This is a stress rating only, and functional operation of the module at these or any other conditions outside those indicated on the device data sheet is not implied. Exposure to absolute maximum rating conditions for extended periods may affect reliability.

**Table 7: Absolute Maximum Ratings**

Symbol	Parameter	Min	Max	Units	
VDD/VDDQ	VDD/VDDQ supply voltage relative to Vss	-1	+3.6	V	
VIN, VOUT	Voltage on any pin relative to Vss	-0.5	+3.2	V	
II	Input leakage current; Any input $0V \leq V_{IN} \leq V_{DD}$ ; VREF input $0V \leq V_{IN} \leq 1.35V$ (All other pins not under test = 0V)	Address inputs, RAS#, CAS#, WE#, BA, S#, CKE	-5	+5	$\mu A$
		CK, CK0	-10	+10	
		DM	-2	+2	
Ioz	Output leakage current; $0V \leq V_{OUT} \leq V_{DDQ}$ ; DQ and ODT are disabled	DQ, DQS, DQS#	-5	+5	$\mu A$
TA	DRAM ambient operating temperature <sup>1</sup>	Commercial	0	+70	$^{\circ}C$
		Industrial	-40	+85	$^{\circ}C$

Notes: 1. For further information, refer to technical note TN-00-08: "Thermal Applications," available on Micron's Web site.



## DRAM Operating Conditions

Recommended AC operating conditions are given in the DDR component data sheets. Component specifications are available on Micron's Web site. Module speed grades correlate with component speed grades, as shown in Table 8.

**Table 8: Module and Component Speed Grades**  
DDR components may exceed the listed module speed grades

Module Speed Grade	Component Speed Grade
-40B	-5B
-335	-6
-262	-75E
-26A	-75Z
-265	-75

## Design Considerations

### Simulations

Micron memory modules are designed to optimize signal integrity through carefully designed terminations, controlled board impedances, routing topologies, trace length matching, and decoupling. However, good signal integrity starts at the system level. Micron encourages designers to simulate the signal characteristics of the system's memory bus to ensure adequate signal integrity of the entire memory system.

### Power

Operating voltages are specified at the DRAM, not at the edge connector of the module. Designers must account for any system voltage drops at anticipated power levels to ensure the required supply voltage is maintained.

## IDD Specifications

**Table 9: IDD Specifications and Conditions – 256MB (Die Revision K)**

Values are for MT46V32M8 DDR SDRAM only and are computed from values specified in the 256Mb (32 Meg x 8) component data sheet

Parameter/Condition	Symbol	-40B	-335	Units	
<b>Operating one device bank active-precharge current:</b> $t_{RC} = t_{RC}(\text{MIN})$ ; $t_{CK} = t_{CK}(\text{MIN})$ ; DQ, DM, and DQS inputs changing once per clock cycle; Address and control inputs changing once every two clock cycles	IDD0	900	810	mA	
<b>Operating one device bank active-read-precharge current:</b> Burst = 4; $t_{RC} = t_{RC}(\text{MIN})$ ; $t_{CK} = t_{CK}(\text{MIN})$ ; IOOUT = 0mA; Address and control inputs changing once per clock cycle	IDD1	1,080	1,035	mA	
<b>Precharge power-down standby current:</b> All device banks idle; Power-down mode; $t_{CK} = t_{CK}(\text{MIN})$ ; CKE = (LOW)	IDD2P	36	36	mA	
<b>Idle standby current:</b> CS# = HIGH; All device banks idle; $t_{CK} = t_{CK}(\text{MIN})$ ; CKE = HIGH; Address and other control inputs changing once per clock cycle. VIN = VREF for DQ, DQS, and DM	IDD2F	450	450	mA	
<b>Active power-down standby current:</b> One device bank active; Power-down mode; $t_{CK} = t_{CK}(\text{MIN})$ ; CKE = LOW	IDD3P	315	270	mA	
<b>Active standby current:</b> CS# = HIGH; CKE = HIGH; One device bank; Active precharge; $t_{RC} = t_{RAS}(\text{MAX})$ ; $t_{CK} = t_{CK}(\text{MIN})$ ; DQ, DM, and DQS inputs changing twice per clock cycle; Address and other control inputs changing once per clock cycle	IDD3N	540	495	mA	
<b>Operating burst read current:</b> Burst = 2; Continuous burst reads; One device bank active; Address and control inputs changing once per clock cycle; $t_{CK} = t_{CK}(\text{MIN})$ ; IOOUT = 0mA	IDD4R	1,620	1,440	mA	
<b>Operating burst write current:</b> Burst = 2; Continuous burst writes; One device bank active; Address and control inputs changing once per clock cycle; $t_{CK} = t_{CK}(\text{MIN})$ ; DQ, DM, and DQS inputs changing twice per clock cycle	IDD4W	1,620	1,440	mA	
<b>Auto refresh burst current</b>	$t_{RFC} = t_{RFC}(\text{MIN})$	IDD5	1,440	1,440	mA
	$t_{RFC} = 7.8125\mu\text{s}$	IDD5A	54	54	mA
<b>Self refresh current:</b> CKE $\leq$ 0.2V	IDD6	36	36	mA	
<b>Operating bank interleave read current:</b> Four device bank interleaving READs; (burst = 4) with auto precharge, $t_{RC} = t_{RC}(\text{MIN})$ ; $t_{CK} = t_{CK}(\text{MIN})$ ; Address and control inputs change only during active READ or WRITE commands	IDD7	2,610	2,430	mA	

**Table 10: IDD Specifications and Conditions – 256MB (All Other Die Revisions)**

Values are for MT46V32M8 DDR SDRAM only and are computed from values specified in the 256Mb (32 Meg x 8) component data sheet

Parameter/Condition	Symbol	-40B	-335	-262	-26A/ -265	Units	
<b>Operating one device bank active-precharge current:</b> $t_{RC} = t_{RC} (MIN)$ ; $t_{CK} = t_{CK} (MIN)$ ; DQ, DM, and DQS inputs changing once per clock cycle; Address and control inputs changing once every two clock cycles	IDD0	1,215	1,125	1,125	1,080	mA	
<b>Operating one device bank active-read-precharge current:</b> Burst = 4; $t_{RC} = t_{RC} (MIN)$ ; $t_{CK} = t_{CK} (MIN)$ ; IOOUT = 0mA; Address and control inputs changing once per clock cycle	IDD1	1,530	1,530	1,440	1,305	mA	
<b>Precharge power-down standby current:</b> All device banks idle; Power-down mode; $t_{CK} = t_{CK} (MIN)$ ; CKE = (LOW)	IDD2P	36	36	36	36	mA	
<b>Idle standby current:</b> CS# = HIGH; All device banks idle; $t_{CK} = t_{CK} (MIN)$ ; CKE = HIGH; Address and other control inputs changing once per clock cycle. VIN = VREF for DQ, DQS, and DM	IDD2F	540	450	405	405	mA	
<b>Active power-down standby current:</b> One device bank active; Power-down mode; $t_{CK} = t_{CK} (MIN)$ ; CKE = LOW	IDD3P	360	270	225	225/ 270	mA	
<b>Active standby current:</b> CS# = HIGH; CKE = HIGH; One device bank; Active precharge; $t_{RC} = t_{RAS} (MAX)$ ; $t_{CK} = t_{CK} (MIN)$ ; DQ, DM, and DQS inputs changing twice per clock cycle; Address and other control inputs changing once per clock cycle	IDD3N	630	540	450	450	mA	
<b>Operating burst read current:</b> Burst = 2; Continuous burst reads; One device bank active; Address and control inputs changing once per clock cycle; $t_{CK} = t_{CK} (MIN)$ ; IOOUT = 0mA	IDD4R	1,800	1,575	1,350	1,350	mA	
<b>Operating burst write current:</b> Burst = 2; Continuous burst writes; One device bank active; Address and control inputs changing once per clock cycle; $t_{CK} = t_{CK} (MIN)$ ; DQ, DM, and DQS inputs changing twice per clock cycle	IDD4W	1,755	1,575	1,350	1,350	mA	
<b>Auto refresh burst current</b>	$t_{RFC} = t_{RFC} (MIN)$	IDD5	2,340	2,295	2,115	2,115/ 2,205	mA
	$t_{RFC} = 7.8125\mu s$	IDD5A	54	54	54	54	mA
<b>Self refresh current:</b> CKE $\leq$ 0.2V	IDD6	36	36	36	36	mA	
<b>Operating bank interleave read current:</b> Four device bank interleaving READs; (burst = 4) with auto precharge, $t_{RC} = t_{RC} (MIN)$ ; $t_{CK} = t_{CK} (MIN)$ ; Address and control inputs change only during active READ or WRITE commands	IDD7	4,230	3,690	3,150	3,150/ 3,285	mA	

**Table 11: IDD Specifications and Conditions – 512MB**

Values are for MT46V64M8 DDR SDRAM only and are computed from values specified in the 512Mb (64 Meg x 8) component data sheet

Parameter/Condition	Symbol	-40B	-335	-265	Units	
<b>Operating one device bank active-precharge current:</b> $t_{RC} = t_{RC}$ (MIN); $t_{CK} = t_{CK}$ (MIN); DQ, DM, and DQS inputs changing once per clock cycle; Address and control inputs changing once every two clock cycles	IDD0	1,395	1,170	1,035	mA	
<b>Operating one device bank active-read-precharge current:</b> Burst = 4; $t_{RC} = t_{RC}$ (MIN); $t_{CK} = t_{CK}$ (MIN); IOU = 0mA; Address and control inputs changing once per clock cycle	IDD1	1,665	1,440	1,305	mA	
<b>Precharge power-down standby current:</b> All device banks idle; Power-down mode; $t_{CK} = t_{CK}$ (MIN); CKE = (LOW)	IDD2P	45	45	45	mA	
<b>Idle standby current:</b> CS# = HIGH; All device banks idle; $t_{CK} = t_{CK}$ (MIN); CKE = HIGH; Address and other control inputs changing once per clock cycle. VIN = VREF for DQ, DQS, and DM	IDD2F	495	405	360	mA	
<b>Active power-down standby current:</b> One device bank active; Power-down mode; $t_{CK} = t_{CK}$ (MIN); CKE = LOW	IDD3P	405	315	270	mA	
<b>Active standby current:</b> CS# = HIGH; CKE = HIGH; One device bank; Active precharge; $t_{RC} = t_{RAS}$ (MAX); $t_{CK} = t_{CK}$ (MIN); DQ, DM, and DQS inputs changing twice per clock cycle; Address and other control inputs changing once per clock cycle	IDD3N	540	450	405	mA	
<b>Operating burst read current:</b> Burst = 2; Continuous burst reads; One device bank active; Address and control inputs changing once per clock cycle; $t_{CK} = t_{CK}$ (MIN); IOU = 0mA	IDD4R	1,710	1,485	1,305	mA	
<b>Operating burst write current:</b> Burst = 2; Continuous burst writes; One device bank active; Address and control inputs changing once per clock cycle; $t_{CK} = t_{CK}$ (MIN); DQ, DM, and DQS inputs changing twice per clock cycle	IDD4W	1,755	1,575	1,215	mA	
<b>Auto refresh burst current</b>	$t_{RFC} = t_{RFC}$ (MIN)	IDD5	3,105	2,610	2,520	mA
	$t_{RFC} = 7.8125\mu s$	IDD5A	99	90	90	mA
<b>Self refresh current:</b> CKE $\leq$ 0.2V	IDD6	45	45	45	mA	
<b>Operating bank interleave read current:</b> Four device bank interleaving READs; (burst = 4) with auto precharge, $t_{RC} = t_{RC}$ (MIN); $t_{CK} = t_{CK}$ (MIN); Address and control inputs change only during active READ or WRITE commands	IDD7	4,050	3,645	3,150	mA	

## Register and PLL Specifications

**Table 12: Register Specifications**  
SSTV16859 devices or equivalent JESD82-4B

Parameter	Symbol	Pins	Condition	Min	Max	Units
DC high-level input voltage	V <sub>IH(DC)</sub>	Control, command, address	SSTL_25	V <sub>REF(DC)</sub> + 150	-	mV
DC low-level input voltage	V <sub>IL(DC)</sub>	Control, command, address	SSTL_25	-	V <sub>REF(DC)</sub> - 150	mV
AC high-level input voltage	V <sub>IH(AC)</sub>	Control, command, address	SSTL_25	V <sub>REF(DC)</sub> + 310	V <sub>DD</sub>	mV
AC low-level input voltage	V <sub>IL(AC)</sub>	Control, command, address	SSTL_25	-	V <sub>REF(DC)</sub> - 310	mV
Output high voltage	V <sub>OH</sub>	Parity output	LVC MOS	V <sub>DD</sub> - 0.2	-	V
Output low voltage	V <sub>OL</sub>	Parity output	LVC MOS	-	0.2	V
Input current	I <sub>I</sub>	All pins	V <sub>I</sub> = V <sub>DDQ</sub> or V <sub>SSQ</sub>	-5.0	+5.0	μA
Static standby	I <sub>DD</sub>	All pins	RESET# = V <sub>SSQ</sub> (I <sub>O</sub> = 0)	-	100	μA
Static operating	I <sub>DD</sub>	All pins	RESET# = V <sub>SSQ</sub> ; V <sub>I</sub> = V <sub>IH(AC)</sub> or V <sub>IL(DC)</sub> I <sub>O</sub> = 0	-	Varies by manufacturer	mA
Dynamic operating (clock tree)	I <sub>DDD</sub>	n/a	RESET# = V <sub>DD</sub> , V <sub>I</sub> = V <sub>IH(AC)</sub> or V <sub>IL(AC)</sub> , I <sub>O</sub> = 0; CK and CK# switching 50% duty cycle	-	Varies by manufacturer	μA
Dynamic operating (per each input)	I <sub>DDD</sub>	n/a	RESET# = V <sub>DD</sub> , V <sub>I</sub> = V <sub>IH(AC)</sub> or V <sub>IL(AC)</sub> , I <sub>O</sub> = 0; CK and CK# switching 50% duty cycle; One data input switching at t <sub>CK</sub> /2, 50% duty cycle	-	Varies by manufacturer	μA
Input capacitance (per device, per pin)	C <sub>I</sub>	All inputs except RESET#	V <sub>I</sub> = V <sub>REF</sub> ±250mV; V <sub>DDQ</sub> = 1.8V	2.5	3.5	pF
Input capacitance (per device, per pin)	C <sub>I</sub>	RESET#	V <sub>I</sub> = V <sub>DDQ</sub> or V <sub>SSQ</sub>	-	Varies by manufacturer	pF

Notes: 1. Timing and switching specifications for the register listed above are critical for proper operation of the DDR SDRAM RDIMM devices. These are meant to be a subset of the parameters for the specific device used on the module. Detailed information for this register is available in JEDEC Standard JESD82.

**Table 13: PLL Specifications**  
 CVF857 device or equivalent JESD82-1A

Parameter	Symbol	Min	Max	Units
DC high-level input voltage	V <sub>IH</sub>	1.7	V <sub>DDQ</sub> + 0.3	V
DC low-level input voltage	V <sub>IL</sub>	-0.3	0.7	V
Input voltage (limits)	V <sub>IN</sub>	-0.3	V <sub>DDQ</sub> + 0.3	V
Input differential-pair cross voltage	V <sub>IX</sub>	(V <sub>DDQ</sub> /2) - 0.2	(V <sub>DDQ</sub> /2) + 0.2	V
Input differential voltage	V <sub>ID(DC)</sub>	0.36	V <sub>DDQ</sub> + 0.6	V
Input differential voltage	V <sub>ID(AC)</sub>	0.70	V <sub>DDQ</sub> + 0.6	V
Input current	I <sub>I</sub>	-10	+10	μA
Dynamic supply current	I <sub>DDPD</sub>	-	200	μA
Dynamic supply current	I <sub>DDQ</sub>	-	300	μA
Dynamic supply current	I <sub>ADD</sub>	-	12	mA
Input capacitance	C <sub>IN</sub>	2.0	3.5	pF

**Table 14: PLL Clock Driver Timing Requirements and Switching Characteristics**

Parameter	Symbol	Min	Max	Units
Stabilization time	t <sub>L</sub>	-	100	μs
Input clock slew rate	t <sub>slr(i)</sub>	1.0	4.0	V/ns
SSC modulation frequency	-	30	50	kHz
SSC clock input frequency deviation	-	0	-0.50	%
PLL loop bandwidth (-3dB from unity gain)	-	2.0	-	MHz

- Notes: 1. PLL timing and switching specifications are critical for proper operation of the DDR DIMM. This is a subset of parameters for the specific PLL used. Detailed PLL information is available in JEDEC Standard JESD82-1A.

## Serial Presence-Detect

**Table 15: Serial Presence-Detect EEPROM DC Operating Conditions**

Parameter/Condition	Symbol	Min	Max	Units
Supply voltage	V <sub>DDSPD</sub>	2.3	3.6	V
Input high voltage: Logic 1; All inputs	V <sub>IH</sub>	V <sub>DDSPD</sub> × 0.7	V <sub>DDSPD</sub> + 0.5	V
Input low voltage: Logic 0; All inputs	V <sub>IL</sub>	-1.0	V <sub>DDSPD</sub> × 0.3	V
Output low voltage: I <sub>OUT</sub> = 3mA	V <sub>OL</sub>	-	0.4	V
Input leakage current: V <sub>IN</sub> = GND to V <sub>DD</sub>	I <sub>LI</sub>	-	10	μA
Output leakage current: V <sub>OUT</sub> = GND to V <sub>DD</sub>	I <sub>LO</sub>	-	10	μA
Standby current: SCL = SDA = V <sub>DD</sub> - 0.3V; All other inputs = V <sub>SS</sub> or V <sub>DD</sub>	I <sub>SB</sub>	-	30	μA
Power supply current: SCL clock frequency = 100 kHz	I <sub>CC</sub>	-	2.0	mA

**Table 16: Serial Presence-Detect EEPROM AC Operating Conditions**

Parameter/Condition	Symbol	Min	Max	Units	Notes
SCL LOW to SDA data-out valid	<sup>t</sup> AA	0.2	0.9	μs	1
Time the bus must be free before a new transition can start	<sup>t</sup> BUF	1.3	-	μs	
Data-out hold time	<sup>t</sup> HD:DAT	200	-	ns	
SDA fall time	<sup>t</sup> F	-	300	ns	2
SDA rise time	<sup>t</sup> R	-	300	ns	2
Data-in hold time	<sup>t</sup> HD:DI	0	-	μs	
Start condition hold time	<sup>t</sup> HD:STA	0.6	-	μs	
Clock HIGH period	<sup>t</sup> HIGH	0.6	-	μs	
Clock LOW period	<sup>t</sup> LOW	1.3	-	μs	
SCL clock frequency	<sup>f</sup> SCL	-	400	kHz	
Data-in setup time	<sup>t</sup> SU:DAT	100	-	ns	
Start condition setup time	<sup>t</sup> SU:STA	0.6	-	μs	3
Stop condition setup time	<sup>t</sup> SU:STO	0.6	-	μs	
WRITE cycle time	<sup>t</sup> WRC	-	5	ms	4

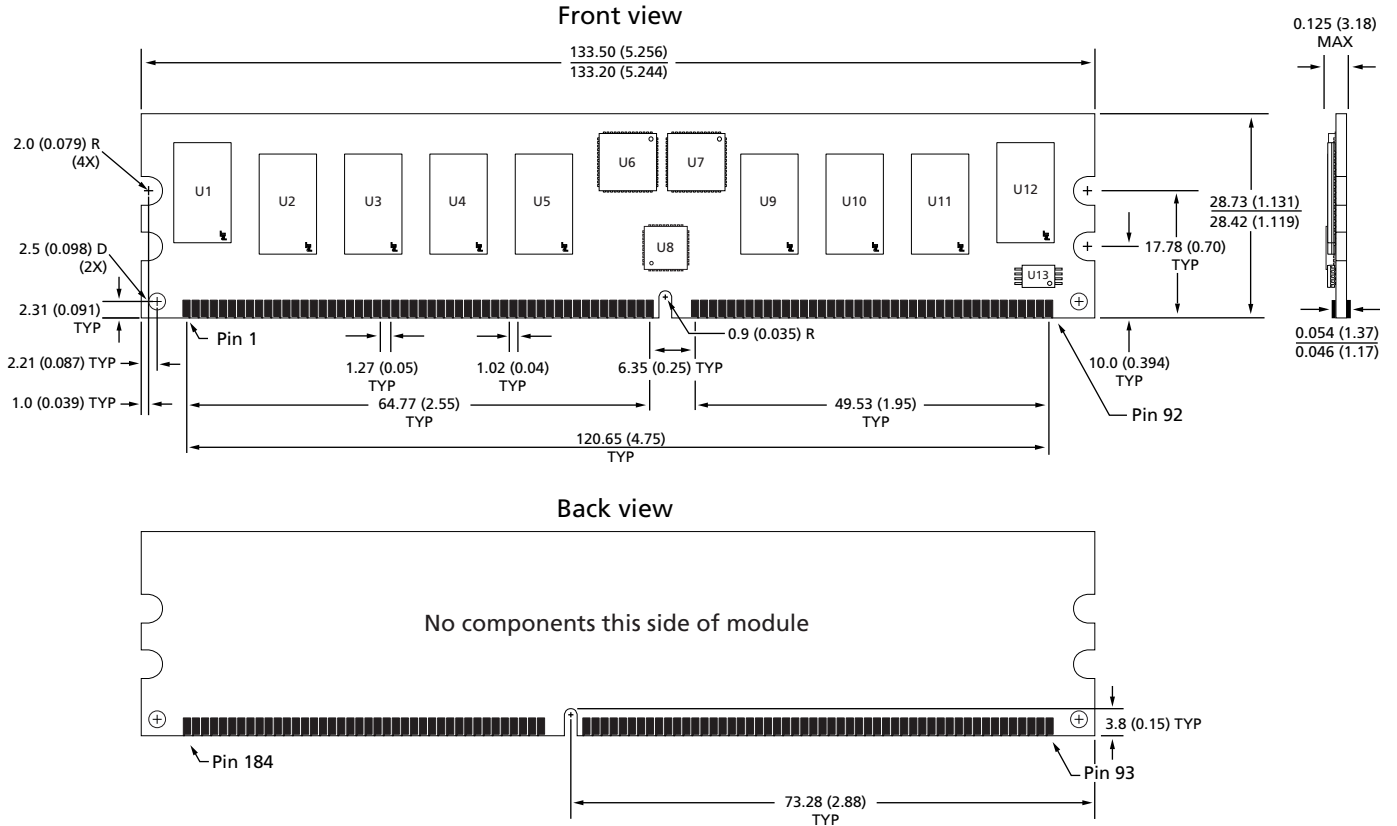
- Notes:
1. To avoid spurious start and stop conditions, a minimum delay is placed between SCL = 1 and the falling or rising edge of SDA.
  2. This parameter is sampled.
  3. For a restart condition or following a WRITE cycle.
  4. The SPD EEPROM WRITE cycle time (<sup>t</sup>WRC) is the time from a valid stop condition of a write sequence to the end of the EEPROM internal ERASE/PROGRAM cycle. During the WRITE cycle, the EEPROM bus interface circuit is disabled, SDA remains HIGH due to pull-up resistance, and the EEPROM does not respond to its slave address.

## Serial Presence-Detect Data

For the latest serial presence-detect data, refer to Micron's SPD page:  
[www.micron.com/SPD](http://www.micron.com/SPD).

## Module Dimensions

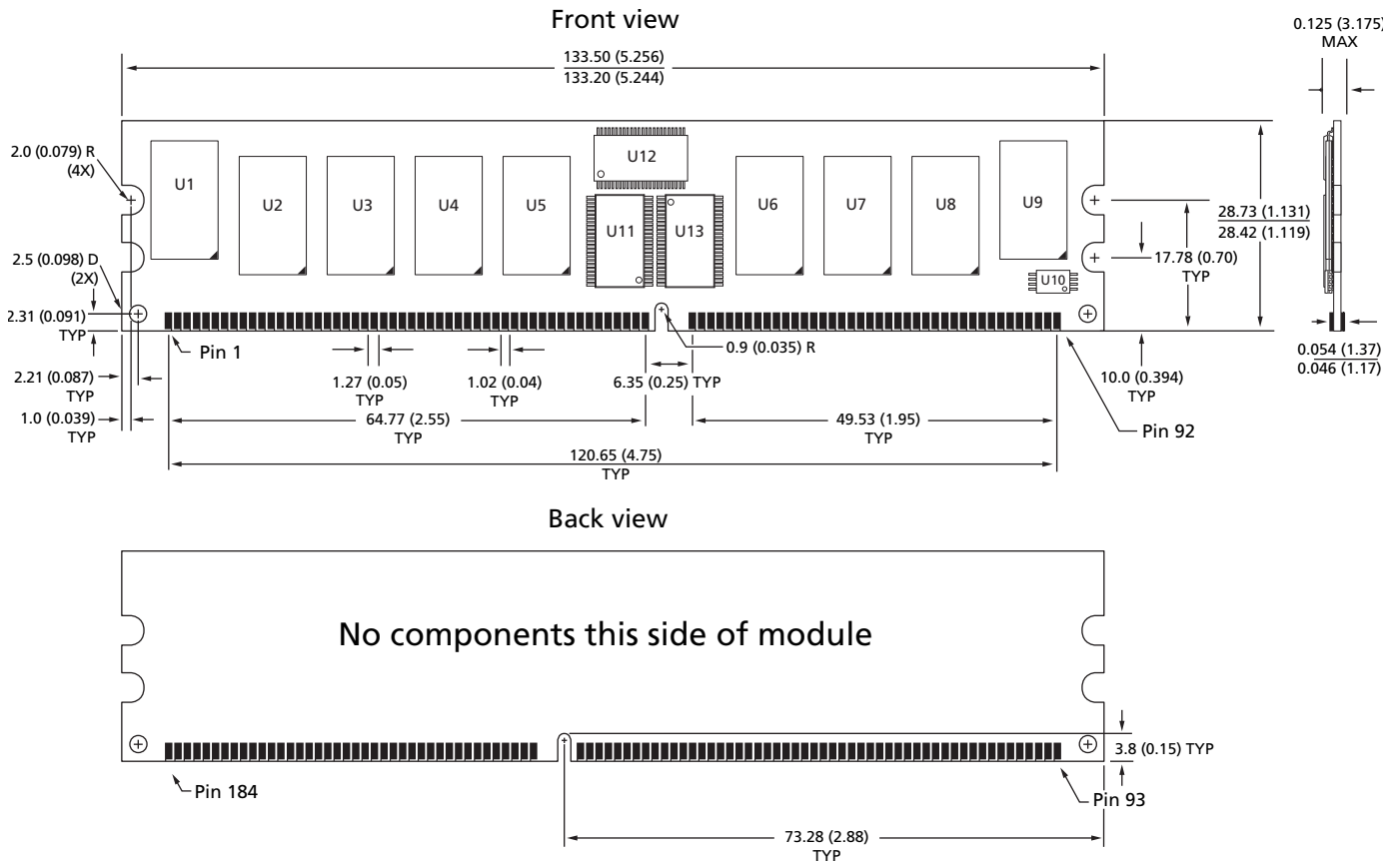
Figure 5: 184-Pin DDR RDIMM (-40B, -335, -265)



- Notes:
1. All dimensions are in millimeters (inches); MAX/MIN or typical (TYP) where noted.
  2. The dimensional diagram is for reference only. Refer to the JEDEC MO document for complete design dimensions.



**Figure 6: 184-Pin DDR RDIMM (-335, -262, -26A, -265)**



- Notes:
1. All dimensions are in millimeters (inches); MAX/MIN or typical (TYP) where noted.
  2. The dimensional diagram is for reference only. Refer to the JEDEC MO document for complete design dimensions.



8000 S. Federal Way, P.O. Box 6, Boise, ID 83707-0006, Tel: 208-368-3900

prodmktg@micron.com www.micron.com Customer Comment Line: 800-932-4992

Micron, the M logo, and the Micron logo are trademarks of Micron Technology, Inc. All other trademarks are the property of their respective owners.

This data sheet contains minimum and maximum limits specified over the complete power supply and temperature range for production devices. Although considered final, these specifications are subject to change, as further product development and data characterization sometimes occur.