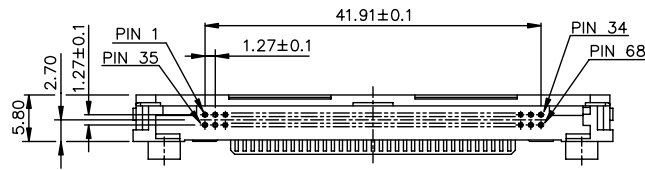
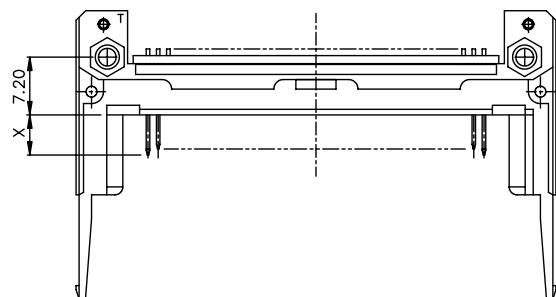
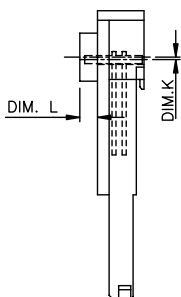


Tous droits strictement réservés. Reproduction ou communication o des tiers int
 sans autorisation écrite du propriétaire.
 FCI ELECTRONICS
 droits de reproduction BERG ELECTRONICS by

All rights strictly reserved. Reproduction or issue to third parties in any for
 measure is not permitted without written authority from the proprietor.
 FCI ELECTRONICS
 Copyright BERG ELECTRONICS by



61127- □ □ □ □ □

- LF: LEAD FREE
- B: FOR BOSCH-TELECOM
 - N: FOR CANON
 - V: FOR VALLEY GREEN
 - C: FOR CISCO
- STAND-OFF
- 00 : 0.0 mm
 - 20 : 2.0 mm
 - 22 : 2.2 mm
 - 30 : 3.0 mm
 - 40 : 4.0 mm
 - 43 : 4.3 mm
 - 50 : 5.0 mm
- UPPER DECK : 5
- LOWER DECK : 0
- TOP MOUNT : 0
- BOTTOM MOUNT : 5

61127-0522C/0522CLF	0	6.55
61127-0543C/0543CLF	0	6.55
61127-0550C/0550CLF	0	6.55
61127-0043C/0043CLF	4.3	-0.3
61127-0050C/0050CLF	5	-0.3
61127-0022C/0022CLF	2.2	-0.3
61127-0022B/0022BLF	2.2	-0.3
61127-0022/0022LF	2.2	-0.3
61127-0522/0522LF	0	6.55
61127-0543/0543LF	0	6.55
61127-0550/0550LF	0	6.55
61127-0500/0500LF	0	10.0
61127-0100/0100LF	0	2.15
61127-0050N/0050NLF	5	-0.3
61127-0043/0043LF	4.3	-0.3
61127-0050/0050LF	5	-0.3
61127-0022V/0022VLF	2.2	2.15
PRODUCT NO.	DIM.L	DIM.K±0.20

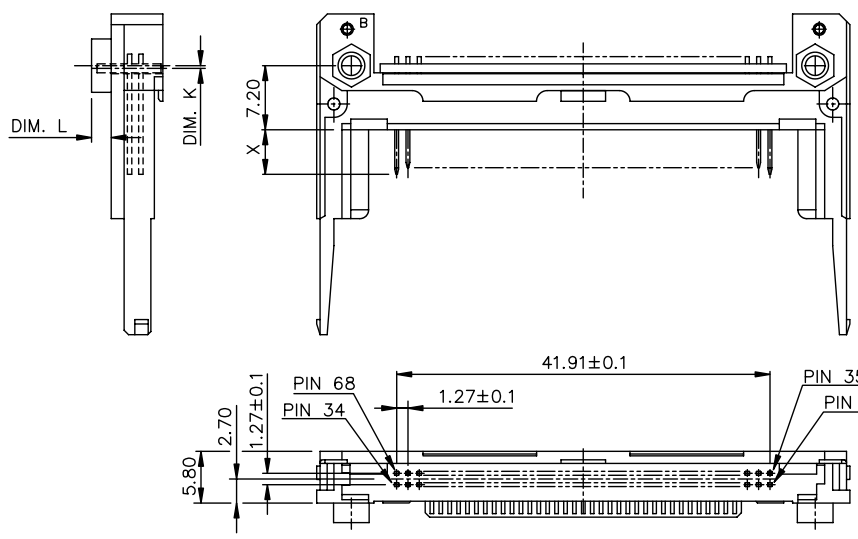
DIM"x"			
PIN NUMBER	4.25±0.1	3.5±0.1	5.0±0.1
	OTHERS	36,67	1,17,34

mat'l code		tolerance unless otherwise specified		CUSTOMER COPY		FCI		www.fciconnect.com	
rev.	ecn no.	dr	date	linear	±0.30	projection	title	3.3V EJECTOR HEADER ASS'Y (ABOVE BOARD)	
J	N04-0030	P	H	07/21/04					
K	N05-0140	W	B	05/31/05					
D	T00131	W	L	05/02/00	angles	± 2°			
E	T10263	W	L	10/16/01	dr	WENDY CHEN	07/11/95	unit	product family
F	T10321	W	L	11/16/01	enrg	L.W. LU	07/11/95	mm/inch	PWGMA
G	T20036	W	L	01/30/02	chr	JOSEPH HSIA	07/11/95	size	dwg no.
H	T03-0216	W	L	06/09/03	appd	JENN TSAO	07/11/95	scale	61127
sheet	revision	K	J	K	J	J		2:1	A3
index	sheet	1	2	3	4	5			1 of 5

PDM: Rev:K STATUS: Released Printed: Oct 12, 2010

Tous droits strictement réservés. Reproduction ou communication, o des tiers int
 proceur de BERG ELECTRONICS.
 Droits de reproduction BERG ELECTRONICS by

All rights strictly reserved. Reproduction or issue to third parties in any for
 measure is not permitted without written authority from the proprietor.
 Copyright BERG ELECTRONICS by



DIM "X"			
PIN NUMBER	4.25±0.1	3.5±0.1	5.0±0.1
OTHERS	36,67	1,17,34	35,51,68

61127-5022/5022LF	2.2	-0.3
61127-5522/5522LF	0	6.55
61127-5543/5543LF	0	6.55
61127-5550/5550LF	0	6.55
61127-5500/5500LF	0	10.0
61127-5043/5043LF	4.3	-0.3
61127-5050/5050LF	5	-0.3
PRODUCT NO.	DIM.L	DIM.K±0.20

mat'l code		tolerance unless otherwise specified		CUSTOMER COPY		 www.fciconnect.com	
rev. J	ecm no.	dr	date	linear	±0.30	projection	title 68POS. EJECTOR HEADER HEADER ASS'Y
				angles	± 2°		product family PMSGA
				dr	WENDY CHEN 10/16/01	unit mm/inch	code
				enrg	MINERVA WANG 10/16/01	size	dwg no. 61127
				chr	MINERVA WANG 10/16/01	scale 2:1	sheet 2 of
				appd	JENN TSAO 10/16/01		
sheet index	revision sheet						

PDM: Rev:K STATUS Released Printed: Oct 12, 2010

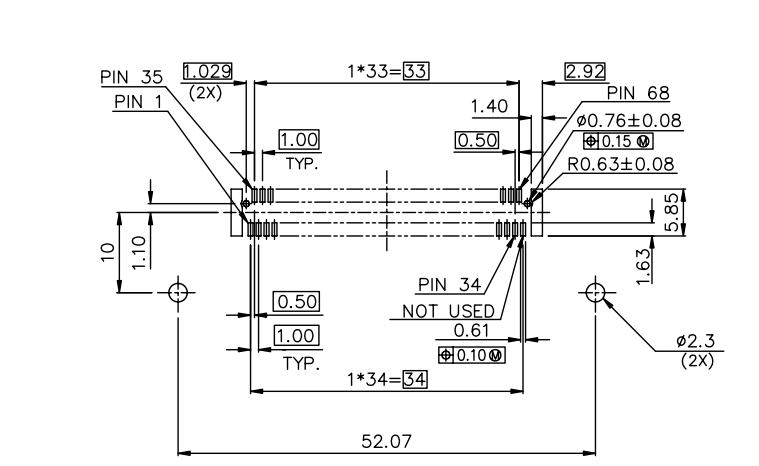
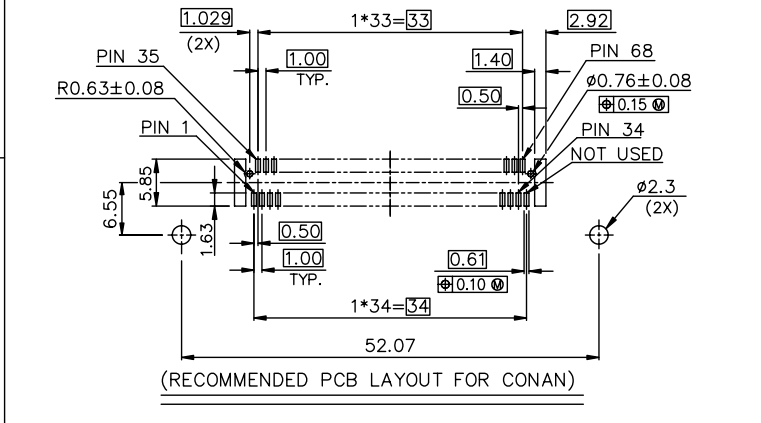
Tous droits strictement réservés. Reproduction ou communication, o des tiers int
 procédé de BERG ELECTRONICS sans autorisation écrite du propriétaire.
 Droits de reproduction BERG ELECTRONICS by

All rights strictly reserved. Reproduction or issue to third parties in any for
 procedure without written authority from the proprietor.
 Copyright BERG ELECTRONICS by

FOR P/N: 61127-0522/0543/0550/0522LF/0543LF/0550LF

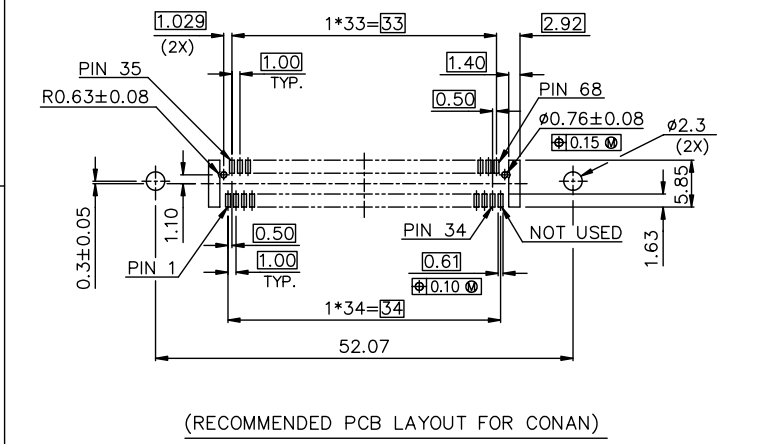
FOR P/N: 61127-0500/0500LF

FOR P/N: 61127-0522C/0543C/0550C/0522CLF/0543CLF/0550CLF



FOR P/N: 61127-0022/0043/0050/0022B/0050N/0022C/0043C/0050C

FOR P/N: 61127-0022LF/0043LF/0050LF/0022BLF/0050NLF/0022CLF/0043C/0050CLF



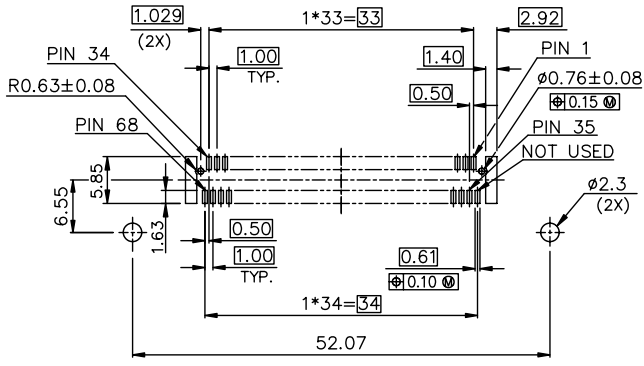
(RECOMMENDED PCB LAYOUT FOR CONAN)

mat'l code		tolerance unless otherwise specified		CUSTOMER COPY		FCI		www.fciconnect.com	
rev. K	ecn no.	dr	date	linear	±0.10	projection	title 68POS. EJECTOR HEADER HEADER ASS'Y		
				angles	± 2°		product family PWSA		code
				dr	WENDY CHEN 05/02/00	unit	size		dwg no.
				enrg	JOSEPH HSIA 05/02/00	mm/inch	scale		61127
				chr	JOSEPH HSIA 05/02/00	2:1	sheet		3 of
				appd	JOSEPH HSIA 05/02/00				
sheet index	revision sheet								

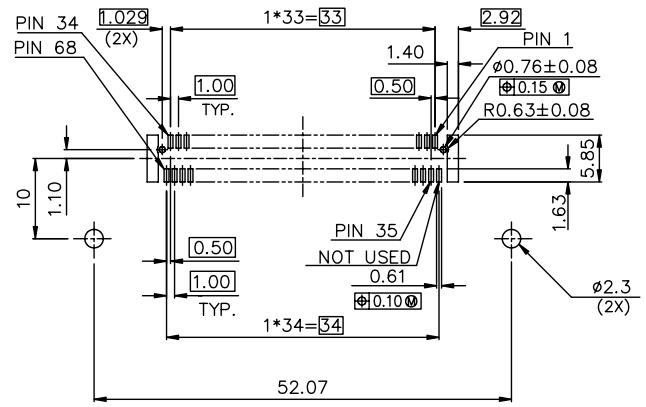
PDM: Rev:K STATUS Released Printed: Oct 12, 2010

FOR P/N: 61127-5522/5543/5550/5522LF/5543LF/5550LF

FOR P/N: 61127-5500/5500LF

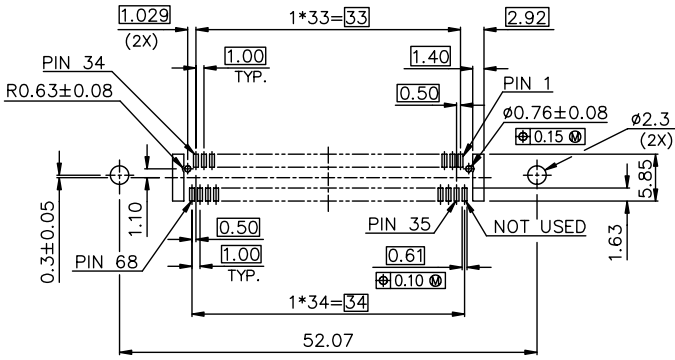


(RECOMMENDED PCB LAYOUT FOR CONAN)



(RECOMMENDED PCB LAYOUT FOR CONAN)

FOR P/N: 61127-5022/5043/5050/5022LF/5043LF/5050LF



(RECOMMENDED PCB LAYOUT FOR CONAN)

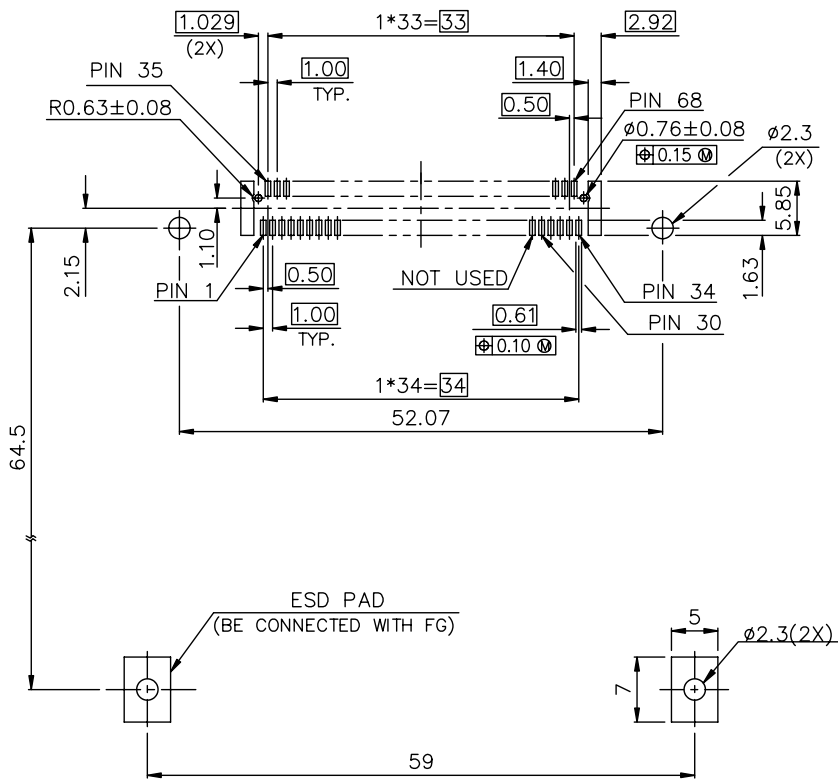
mat'l code		tolerance unless otherwise specified		CUSTOMER COPY		FCI www.fciconnect.com	
rev.	ecn no.	dr	date	linear	±0.10	projection	title 68POS. EJECTOR HEADER HEADER ASS'Y product family PMSGA code size dwg no. 61127 sheet 4 of
J				angles	± 2°		
				dr	WENDY CHEN/05/02/00	unit	
				enrg	JOSEPH HSIA/05/02/00	mm/inch	
				chr	JOSEPH HSIA/05/02/00	scale	
				appd	JOSEPH HSIA/05/02/00	2:1	
sheet index	revision sheet						

PDM: Rev:K STATUS **Released** Printed: Oct 12, 2010

Tous droits strictement réservés. Reproduction ou communication, en tout ou en partie, sans autorisation écrite du propriétaire.
 All rights strictly reserved. Reproduction or communication, in whole or in part, without written authority from the proprietor.
 Copyright BERG ELECTRONICS by

All rights strictly reserved. Reproduction or communication, in whole or in part, without written authority from the proprietor.
 Copyright BERG ELECTRONICS by

FOR P/N: 61127-0022V/0022VLF



mat'l code		tolerance unless otherwise specified		CUSTOMER COPY		FCI		www.fciconnect.com	
rev.	ecn no.	dr	date	linear	±0.1	projection	title 68POS. EJECTOR HEADER HEADER ASS'Y		
J				angles		⊕			
				dr	WENDY CHEN 01/30/02	unit	product family PAGA code		
				engr	MINERVA WANG 01/30/02	mm/inch	size dwg no.		sheet
				chr	MINERVA WANG 01/30/02	scale	A3 61127		5 of
				appd	JENN TSAO 01/30/02				
sheet	revision								
index	sheet								

PDM: Rev:K STATUS: Released Printed: Oct 12, 2010

All rights strictly reserved. Reproduction or issue to third parties in any form or by any means, without written authority from the proprietor. Copyright © BERG ELECTRONICS BV.