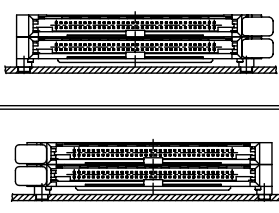



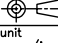
All rights strictly reserved. Reproduction or issues to third parties in any form or by any means, without the prior written authorization of the proprietor. Toute réimpression, reproduction ou diffusion sans autorisation écrite du propriétaire.

DESCRIPTION : ABOVE PCB, DECK AND PUSH ROD LOCATION ARE AS VIEW BY USER.

PRODUCT NO.	PUSH ROD LOCATION		STAND-OFF HEIGHT	CLOSEST TO PCB	FARTHEST FROM PCB	THREADED INSERT (2 PCS) ④ 61553-***	MATING RECEPTACLE ⑤	P.C.B SIDE	RECOMMENDED P.C.B LAYOUT	MOUNT STYLE TO PCB AND PUSH ROD SIDE
	DECK CLOSEST TO PCB	DECK FARTHEST TO PCB		② 61557-*****	③ 61556-*****					
200CAS	RIGHT	RIGHT	0.0	000CAS	000CAS	0000	100 POSITIONS (2x50) 0.8mm RECEPTACLE PART NO. 73277-101000	ABOVE	SEE DRAWING NO.: TA-1050	
206CAS	RIGHT	RIGHT	0.6	006CAS	006CAS	0006				
220CAS	RIGHT	RIGHT	2.0	020CAS	020CAS	0020				
222CAS	RIGHT	RIGHT	2.2	022CAS	022CAS	0022				
240CAS	RIGHT	RIGHT	4.0	040CAS	040CAS	0040				
243CAS	RIGHT	RIGHT	4.3	043CAS	043CAS	0043				
250CAS	RIGHT	RIGHT	5.0	050CAS	050CAS	0050				
300CAS	LEFT	LEFT	0.0	100CAS	100CAS	0000				
320CAS	LEFT	LEFT	2.0	120CAS	120CAS	0020				
322CAS	LEFT	LEFT	2.2	122CAS	122CAS	0022				
340CAS	LEFT	LEFT	4.0	140CAS	140CAS	0040				
343CAS	LEFT	LEFT	4.3	143CAS	143CAS	0043				
350CAS	LEFT	LEFT	5.0	150CAS	150CAS	0050				

ORDERING INFORMATION

THREADED INSERT ASSEMBLED BY BERG		
NAME	PART NO.	Q'TY
① EJECT HEADER ASS'Y	61555-*****	1
⑤ MATING RECEPTACLE	73277-101000	2
NAME	PART NO.	Q'TY
② DECK CLOSEST TO PCB	61557-*****	1
③ DECK FARTHEST FROM PCB	61556-*****	1
④ M2 INSERT	61553-****	2
⑤ MATING RECEPTACLE	73277-101000	2

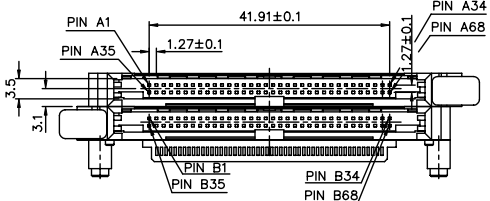
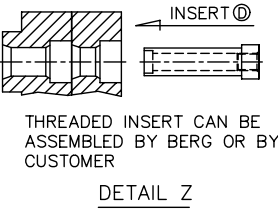
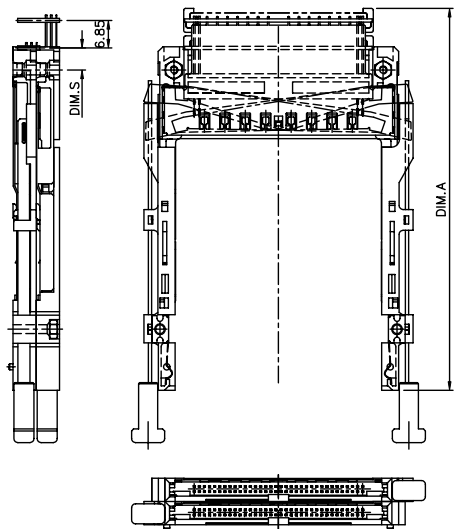
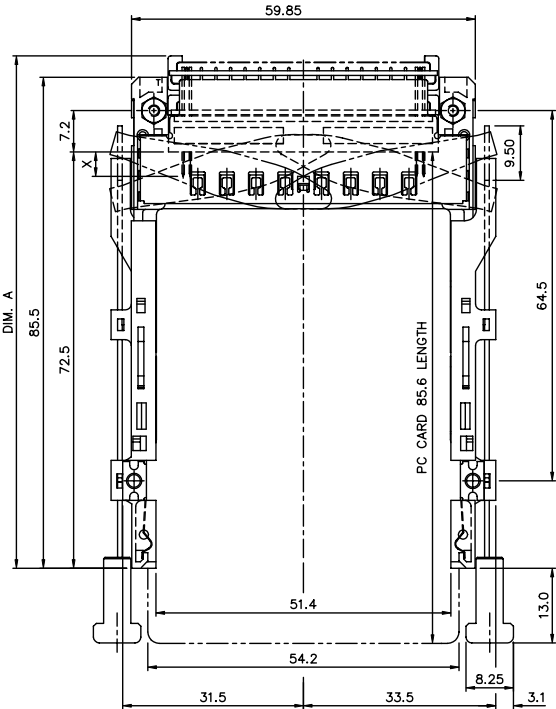
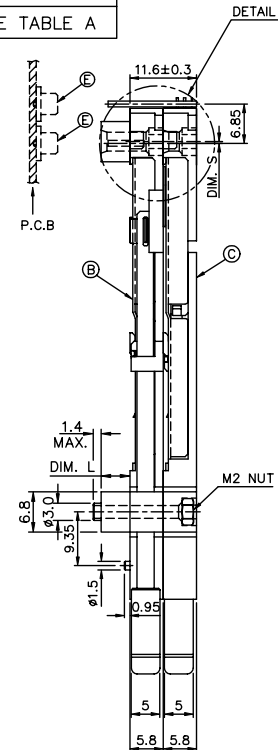
mat'l code	tolerance unless otherwise specified	CUSTOMER COPY	
rev. ecn no. dr date	linear ± 0.30	projection	title CARDBUS EJ HEADER SMT, TYPE 1/2/3
⑤	angles ± 2°		product family PCMCIA code TWN
	dr WENDY CHEN/06/22/98	unit mm/inch	size dwg no. 61555 sheet 2 OF
	enar JOSEPH HSIAD/06/22/98	scale 1:1	
	chr JOSEPH HSIAD/06/22/98		
	appd JENN TSAO/06/22/98		
sheet revision index sheet			

All rights strictly reserved. Reproduction or issues to third parties in any form or by any means, electronic or mechanical, including photocopying, recording, or by any information storage and retrieval system, is not permitted without written authority from the proprietor. Copyright © BERG ELECTRONICS S.p.A.

PRODUCT NO.
 SEE TABLE A

TABLE A

① PRODUCT NO.	STAND-OFF(DIM. L)	DIM. S	DIM. A
61555-050CA	5.0 mm	-0.3	89.25
-043CA	4.3 mm	-0.3	89.25
-040CA	4.0 mm	-0.3	89.25
-022CA	2.2 mm	1.0	90.55
-020CA	2.0 mm	1.0	90.55
-000CA	NONE	5.5	95.05



THREADED INSERT CAN BE
 ASSEMBLED BY BERG OR BY
 CUSTOMER

P/N: 61555-0**CA
 (ABOVE P.C.B./LAYOUT SEE TA-1050)

P/N: 61555-000CA
 (ABOVE P.C.B./LAYOUT SEE TA-1050)

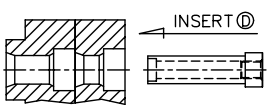
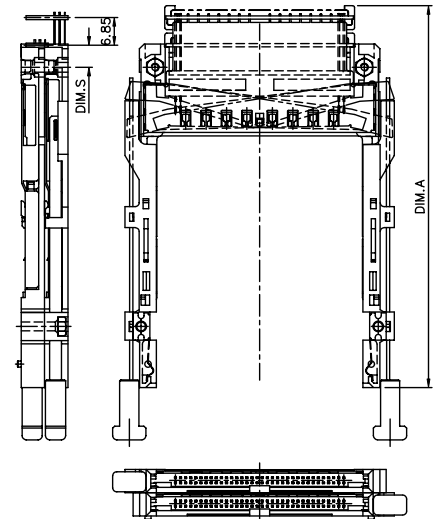
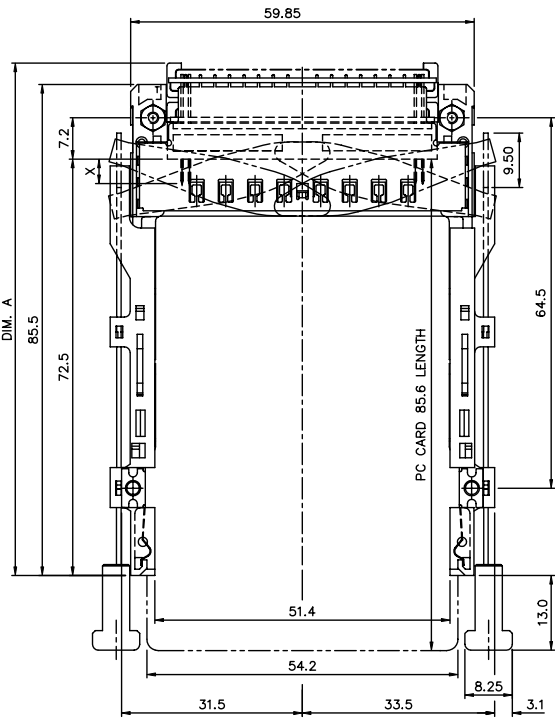
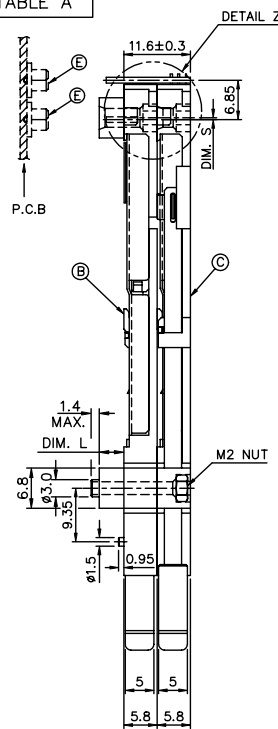
mat'l code	tolerance unless otherwise specified	CUSTOMER COPY	BERG ELECTRONICS
rev. ecn no. dr date	linear	projection	title CARDBUS EJ HEADER SMT, TYPE 1/2/3
E	± 0.30	1st angle	product family PCMCIA
	angles ± 2°	unit mm/inch	size dwg no. 61555
	enar JOSEPH HSIAD7/25/98	scale 1:1	code TWN
	chr JOSEPH HSIAD7/25/98		sheet 3 OF
	app JENN TSAO7/25/98		
sheet revision index	revision sheet		

Tous droits strictement réservés. Reproduction ou communication o des tiers int
 sous quelque forme que ce soit sans autorisation écrite du propriétaire.
 Copyright BERG ELECTRONICS by
 All rights strictly reserved. Reproduction or issues to third parties in any for
 is not permitted without written authority from the proprietor.
 Copyright BERG ELECTRONICS by

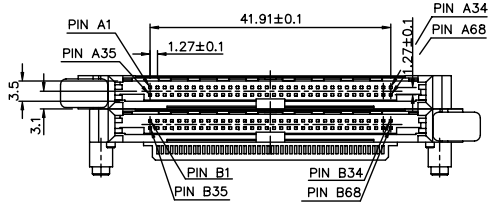
PRODUCT NO.
SEE TABLE A

TABLE A

Ⓐ PRODUCT NO.	STAND-OFF(DIM. L)	DIM. S	DIM. A
61555-150CA	5.0 mm	-0.3	89.25
-143CA	4.3 mm	-0.3	89.25
-140CA	4.0 mm	-0.3	89.25
-122CA	2.2 mm	1.0	90.55
-120CA	2.0 mm	1.0	90.55
-100CA	NONE	5.5	95.05



THREADED INSERT CAN BE ASSEMBLED BY BERG OR BY CUSTOMER



P/N: 61555-1**CA
(ABOVE P.C.B/LAYOUT SEE TA-1050)

P/N: 61555-100CA
(ABOVE P.C.B/LAYOUT SEE TA-1050)

mat'l code	tolerance unless otherwise specified	CUSTOMER COPY	BERG ELECTRONICS
rev. ecn no. dr date	linear	projection	title CARDBUS EJ HEADER SMT, TYPE 1/2/3
E	± 0.30	⊕	product family PCMCIA
	angles ± 2°	unit mm/inch	size dwg no. 61555
	dr WENDY CHEN/25/98	scale 1:1	code TWN
	enar JOSEPH HSI/25/98		sheet 4 OF
	chr JOSEPH HSI/25/98		
	appd JENN TSAO/25/98		
sheet revision index	revision sheet		

PDM: Rev:F STATUS Released Printed: Oct 12, 2010

All rights strictly reserved. Reproduction or issues to third parties in any form or by any means, electronic or mechanical, including photocopying, recording, or by any information storage and retrieval system, is not permitted without written authority from the proprietor. Copyright © BERG ELECTRONICS S.A.

PRODUCT NO.
SEE TABLE A

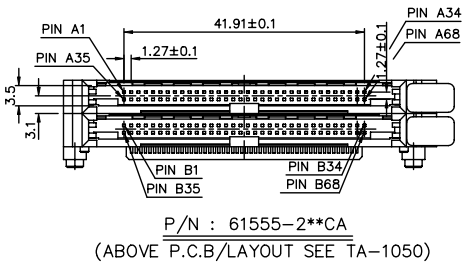
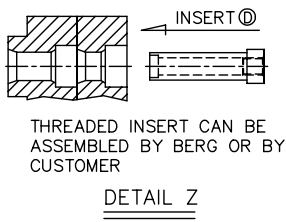
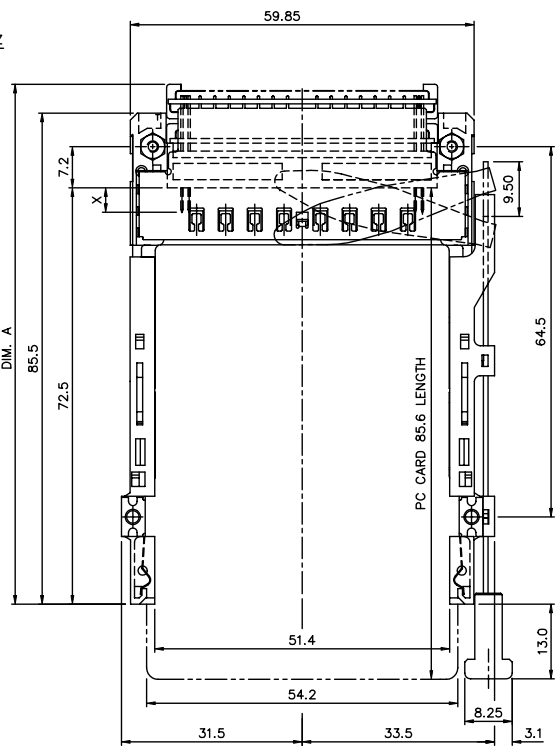
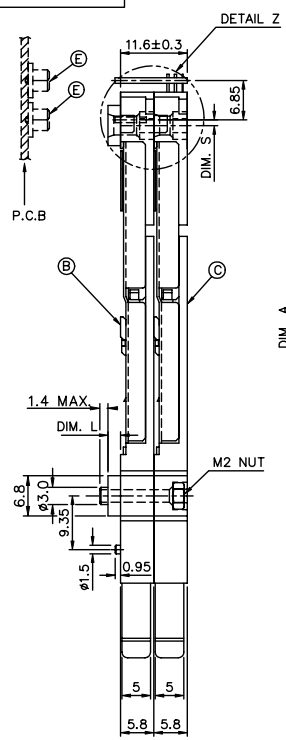
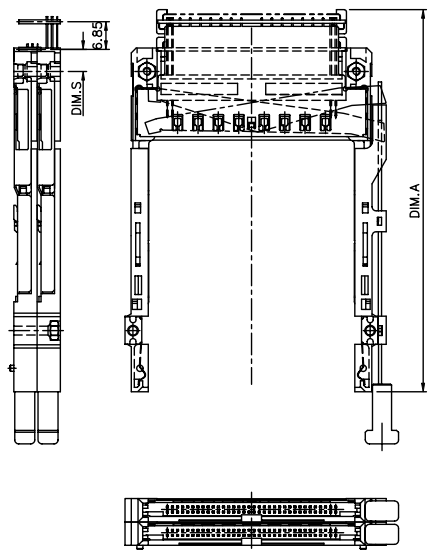


TABLE A

PRODUCT NO.	STAND-OFF(DIM. L)	DIM. S	DIM. A
61555-250CA	5.0 mm	-0.3	89.25
-243CA	4.3 mm	-0.3	89.25
-240CA	4.0 mm	-0.3	89.25
-222CA	2.2 mm	1.0	90.55
-220CA	2.0 mm	1.0	90.55
-206CA	0.6 mm	5.5	95.05
-200CA	NONE	5.5	95.05



P/N : 61555-200CA
(ABOVE P.C.B/LAYOUT SEE TA-1050)

mat'l code	tolerance unless otherwise specified	CUSTOMER COPY	BERG ELECTRONICS	
rev. ecn no. dr date	linear	projection	title CARDBUS EJ HEADER SMT, TYPE 1/2/3	
E	± 0.30	1st angle	product family PCMCIA	code TWN
	angles ± 2°	unit mm/inch	size dwg no. 61555	sheet 5 OF
	dr WENDY CHEN/07/25/98	scale 1:1		
	enar JOSEPH HSIA/07/25/98			
	chr JOSEPH HSIA/07/25/98			
	appd JENN TSAO/07/25/98			
sheet revision				
index sheet				

PDM: Rev:F STATUS Released Printed: Oct 12, 2010

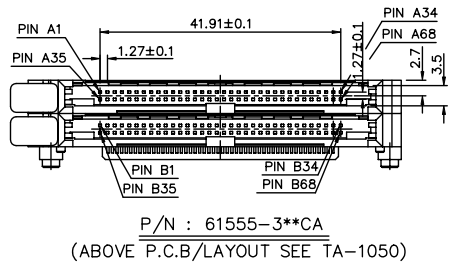
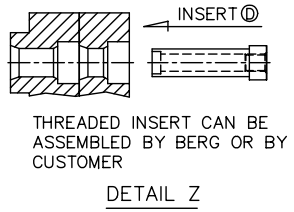
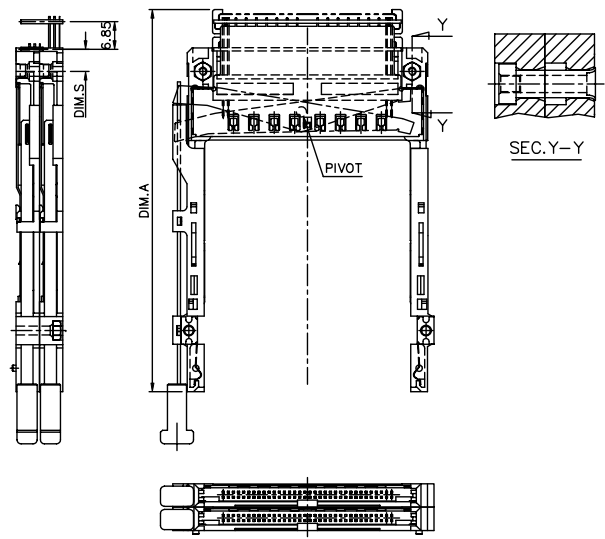
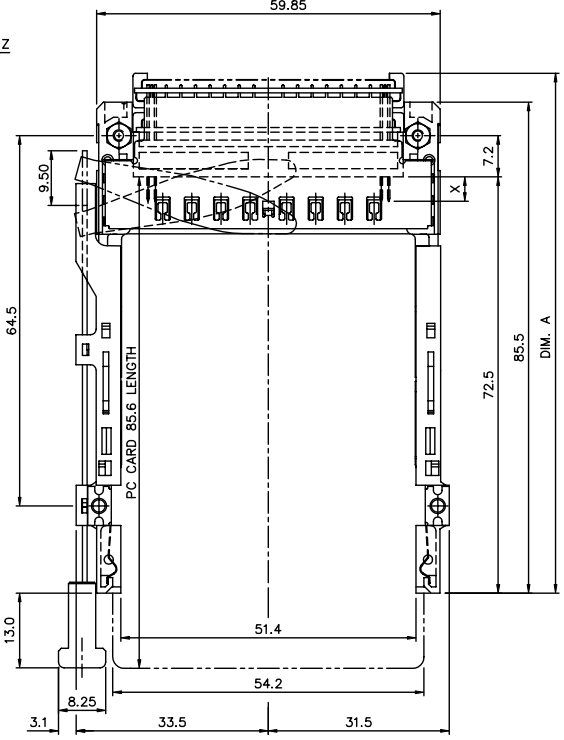
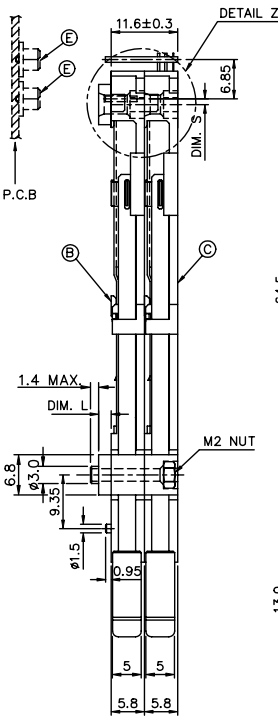
Tous droits strictement réservés. Reproduction ou communication o des tiers int
 sous quelque forme que ce soit sans autorisation écrite du propriétaire.
 Droits de reproduction BERG ELECTRONICS by

All rights strictly reserved. Reproduction or issues to third parties in any for
 whatever is not permitted without written authority from the proprietor.
 Copyright BERG ELECTRONICS by

PRODUCT NO.
 SEE TABLE A

TABLE A

④ PRODUCT NO.	STAND-OFF(DIM. L)	DIM. S	DIM. A
61555-350CA	5.0 mm	-0.3	89.25
-343CA	4.3 mm	-0.3	89.25
-340CA	4.0 mm	-0.3	89.25
-322CA	2.2 mm	1.0	90.55
-320CA	2.0 mm	1.0	90.55
-300CA	NONE	5.5	95.05



P/N : 61555-300CA
 (ABOVE P.C.B/LAYOUT SEE TA-1050)

mat'l code	tolerance unless otherwise specified	CUSTOMER COPY	BERG ELECTRONICS	
rev. ecn no. dr date	linear ± 0.30	projection	title CARDBUS EJ HEADER SMT, TYPE 1/2/3	
E	angles ± 2°	unit mm/inch	product family PCMCIA	code TWN
	dr WENDY CHEN/07/25/98	scale 1:1	size dwg no. 61555	sheet 6 OF
	enar JOSEPH HSIA/07/25/98			
	chr JOSEPH HSIA/07/25/98			
	appd JENN TSAO/07/25/98			
sheet revision index	revision sheet			

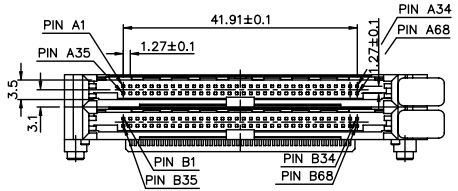
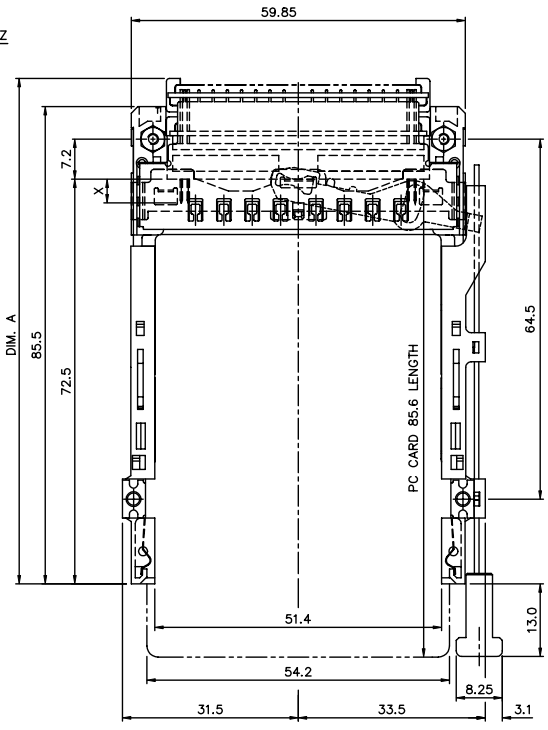
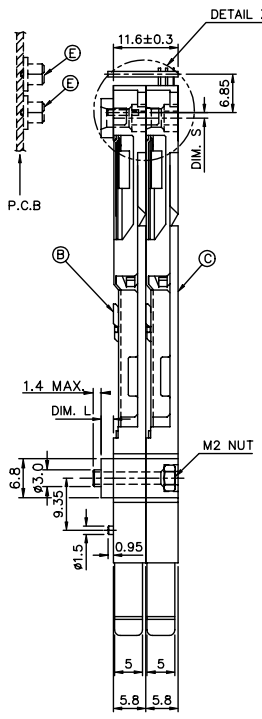
PDM: Rev:F STATUS Released Printed: Oct 12, 2010

Tous droits strictement réservés. Reproduction ou communication o des tiers int sans autorisation écrite du propriétaire. FCI ELECTRONICS S.A. Droits de reproduction BERG ELECTRONICS by



All rights strictly reserved. Reproduction or issues to third parties in any form is not permitted without written authority from the proprietor. FCI ELECTRONICS S.A. Copyright BERG ELECTRONICS by

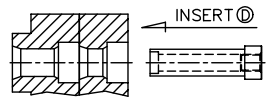
PRODUCT NO.
SEE TABLE A



P/N : 61555-2**CAS
(ABOVE P.C.B/LAYOUT SEE TA-1050)

TABLE A

① PRODUCT NO.	STAND-OFF(DIM. L)	DIM. S	DIM. A
61555-250CAS	5.0 mm	-0.3	89.25
-243CAS	4.3 mm	-0.3	89.25
-240CAS	4.0 mm	-0.3	89.25
-222CAS	2.2 mm	1.0	90.55
-220CAS	2.0 mm	1.0	90.55
-206CAS	0.6 mm	5.5	95.05
-200CAS	NONE	5.5	95.05



THREADED INSERT CAN BE ASSEMBLED BY BERG OR BY CUSTOMER

DETAIL Z

mat'l code		tolerance unless otherwise specified		CUSTOMER COPY		ELECTRONICS	
rev.	ecn no.	dr	date	linear	± 0.30	projection	title CARDBUS EJ HEADER SMT, TYPE 1/2/3
F				angles	± 2'	①	
				dr	WENDY CHEN 06/22/98	unit	product family : PCMCIA
				enrg	JOSEPH HSIA 06/22/98	mm/inch	code
				chr	JOSEPH HSIA 06/22/98	scale	size dwg no.
				appd	JENN TSAO 06/22/98	A3	61555
sheet	revision						sheet
index	sheet						7 of

PDM: Rev:F STATUS Released Printed: Oct 12, 2010

All rights strictly reserved. Reproduction or issues to third parties in any form or by any means, electronic or mechanical, including photocopying, recording, or by any information storage and retrieval system, is not permitted without written authority from the proprietor. Copyright © FCI Electronics Inc.

PRODUCT NO.
 SEE TABLE A

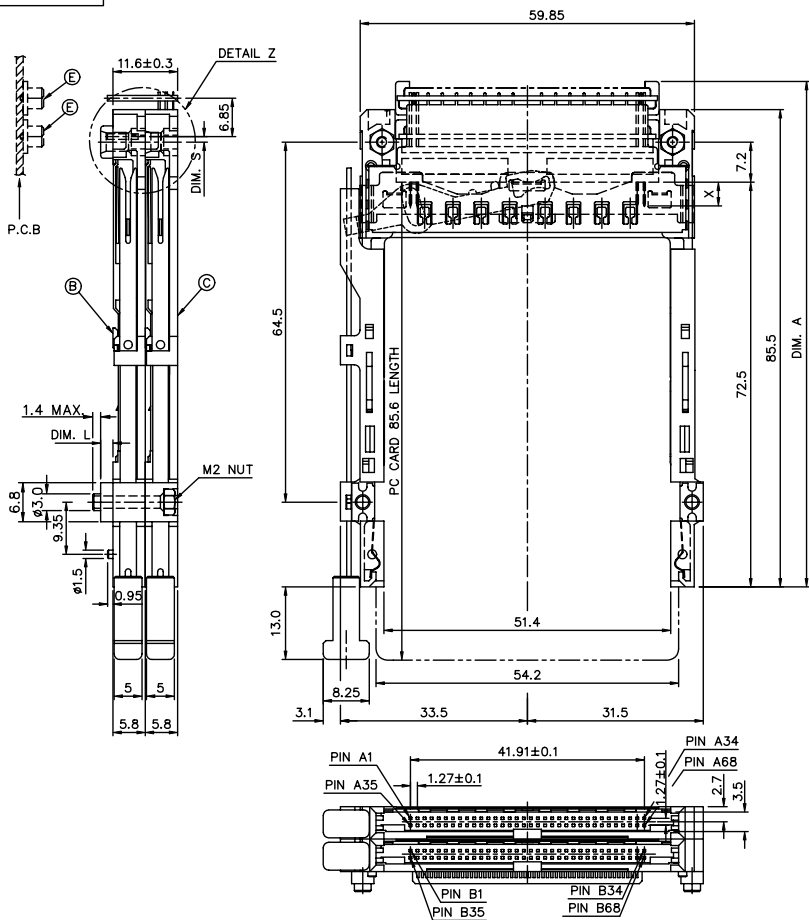
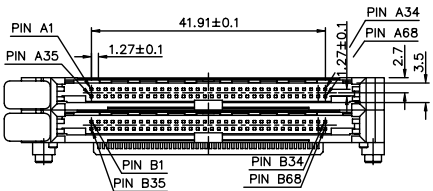
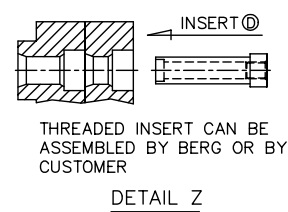


TABLE A

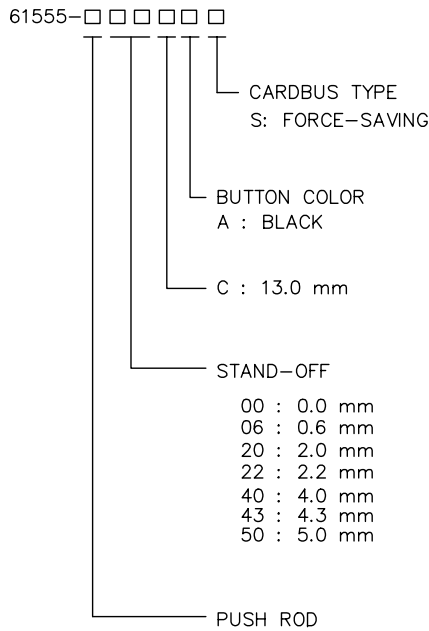
① PRODUCT NO.	STAND-OFF(DIM. L)	DIM. S	DIM. A
61555-350CAS	5.0 mm	-0.3	89.25
-343CAS	4.3 mm	-0.3	89.25
-340CAS	4.0 mm	-0.3	89.25
-322CAS	2.2 mm	1.0	90.55
-320CAS	2.0 mm	1.0	90.55
-300CAS	NONE	5.5	95.05



P/N : 61555-3**CAS
 (ABOVE P.C.B/LAYOUT SEE TA-1050)

mat'l code		tolerance unless otherwise specified		CUSTOMER COPY		ELECTRONICS	
rev. F	ecn no.	dr	date	linear	± 0.30	projection	title
				angles	± 2°		CARBUS EJ HEADER SMT, TYPE 1/2/3
				dr	WENDY CHEN/06/22/98	unit	product family : PCMCIA
				enrg	JOSEPH HSIA/06/22/98	mm/inch	code
				chr	JOSEPH HSIA/06/22/98	scale	size
				appd	JENN TSAO/06/22/98		dwg no. 61555
sheet	revision						
index	sheet						code
							TWN
							sheet
							8 of

PART NUMBER DESCRIPTION :



- 00 : 0.0 mm
- 06 : 0.6 mm
- 20 : 2.0 mm
- 22 : 2.2 mm
- 40 : 4.0 mm
- 43 : 4.3 mm
- 50 : 5.0 mm

TOP MOUNT	BOTTOM MOUNT
0 : RIGHT-LEFT	5 : RIGHT-LEFT
1 : LEFT-RIGHT	6 : LEFT-RIGHT
2 : RIGHT-RIGHT	7 : RIGHT-RIGHT
3 : LEFT-LEFT	8 : LEFT-LEFT

NOTES:

- 1 8.0mm MIN CARD EJECT.
- 2 EJECT TRAVEL: 9.50mm
- 3 MATERIAL:
 - 3.1 EJECT HEADER ASS'Y
 - PLASTIC HOUSING: LCP UL94V-0 BLACK
 - PIN: PHOSPHOR BRONZE
 - PCB: FR4
 - PLASTIC GUIDE: POLYPHTHARAMID UL94V-0 BLACK
 - PLATE: STAINLESS
 - EMI CONTACT: PHOSPHOR BRONZE
 - 3.2 RECEPACLE
 - PLASTIC: LCP 94V-0 NATURAL
 - PIN: BeCu
- 4 FINISH
 - PIN :
 - UNDER PLATING: 0.5um MIN. Ni
 - CONTACT AREA: 0.1um MIN. GOLD OVER
 - 0.5um MIN. Pd-Ni
 - SOLDER TAIL: 2.5um MIN. Sn-Pb
 - GROUND SHIELD :
 - UNDER PLATING: 0.75um MIN. Ni
 - CONTACT SURFACE: 0.03um GOLD MIN. OVER
 - PdNi 0.5um MIN.(GOLD FLASH DOUBLE SIDES)
 - OR, 0.38um GOLD(ONE SIDE ONLY)
- 5 PUSH ROD LOCATION AND P.C.B. ARE AS APPEARS INSTALLED
- 6 DIM "x"

4.25±0.1	3.5±0.1	5.0±0.1
OTHERS	36,67	1,17,34,35,51,68
- 7 DO NOT TOUCH AND KEEP CLEAN THE SURFACES OF PCB OF HEADER ASS'Y.
- 8 P.C.B LAYOUT AND PIN ASSIGNMENT REFERED TO PART NUMBER TA-1050.

mat'l code		tolerance unless otherwise specified		CUSTOMER COPY		BERG ELECTRONICS	
rev.	ecn no.	dr	date	linear	±0.30	projection	title
E				angles	± 2°		CARDBUS EJ HEADER SMT, TYPE 1/2/3
		dr	WENDY CHEN/07/25/98	unit	mm/inch	product family	PCMCIA
		enar	JOSEPH HSIA/07/25/98	scale	1:1	size	dwg no.
		chr	JOSEPH HSIA/07/25/98	scale	1:1	A3	61555
		appd	JENN TSAO/07/25/98				code
sheet	revision						TWN
index	sheet						9 OF

All rights strictly reserved. Reproduction or issue to third parties in any form or by any means, without written authority from the proprietor. Copyright BERG ELECTRONICS by