

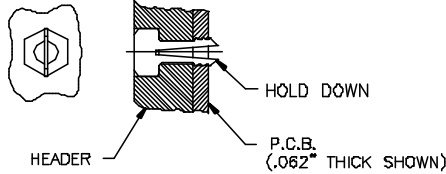
Tous droits strictement réservés. Reproduction ou communication à des tiers
 sans autorisation écrite de FCI. Toute réimpression écrite est interdite.
 Property of FCI. All rights reserved.

All rights strictly reserved. Reproduction or issue to third parties in any
 form whatsoever is not permitted without written authority from the proprietor.
 Property of FCI. Copyright FCI.

PRODUCT NO. 72294-XXX	STAND-OFF DIM X	SOLDER TAIL DIM P	HEADER 92821-XXX (A)	GUIDE ASSEMBLY 92791-XXX (B)	GUIDE ASSEMBLY 92791-XXX (C)	MOUNTING STYLE TO P.C.B.
-000	0mm	2.8mm	000	001	001	
-020	2mm	2.5mm	040	021	001	
-500	0mm	2.8mm	500	001	001	
-520	2mm	2.5mm	540	021	001	

NOTE:

ADD "H" TO PART NUMBER FOR
OPTIONAL HOLD DOWN (2 PER ASSEMBLY
IN EJECT MECHANISM).



mat'l. code				tolerances unless otherwise specified				CUSTOMER COPY		Electronics www.fciconnect.com	
ltr	ecn no	dr	date	X±.3				projection		title	
A	V81923	RHC	7/18/95	.XX±.13				MM		DOUBLE DECK HEADER /GUIDE RAILS ASSEMBLY FOR TYPE 123	
B	V12231	TFG	9/18/01	.XXX±.051				1:1		product family MCS	
				angles 0° ±2°						size dwg no	
				dr	R.GRAPE	7/18/95			code		
				engr	D.BRANN	7/18/95			-		
				chr	D.BRANN	7/18/95			sheet		
				appd	D.BRANN	7/18/95			1 of 3		
sheet index	revision sheet	B	B	B							
		1	2	3							

ACAD

cage code
22526

PDM: Rev:B

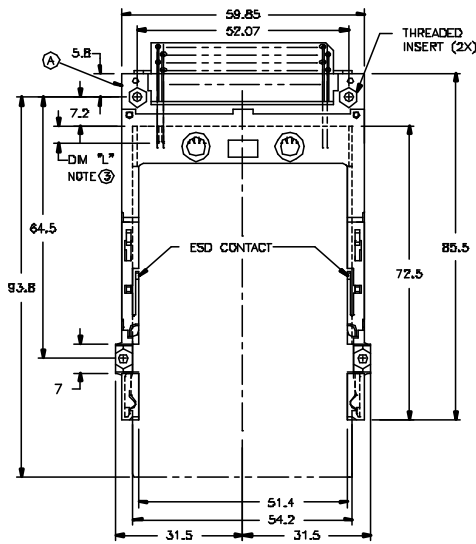
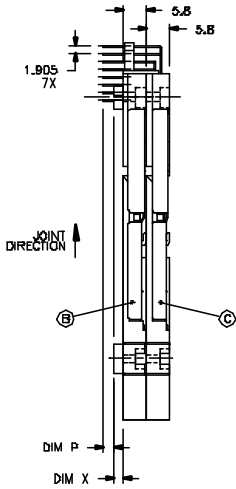
STATUS **Released**

Printed: Oct 12, 2010

PRODUCT NO.
72294-XXX

Tous droits strictement réservés. Reproduction ou communication à des tiers sans autorisation écrite de FCI. Droits de reproduction FCI.

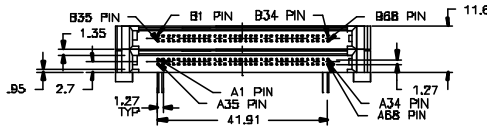
All rights strictly reserved. Reproduction or issue to third parties in any form whatsoever is not permitted without written authority from the proprietor. Property of FCI. Copyright FCI.



NOTES:

- 1 HEADER ASSY**
 PLASTIC: HOUSING - LCP UL94V-0 BLACK - ABOVE PCB
 - LCP UL94V-0 NATURAL (WHITE) BELOW PCB
 PIN: PHOSPHOR BRONZE
GUIDE MECHANISM ASSY
 PLASTIC: GUIDE - POLYPHTHALAMID UL94V-0 BLACK
 COVER PLATE: STAINLESS STEEL
 EMI CONTACT: PHOSPHOR BRONZE
- 2 FINISH - PIN**
 UNDER PLATING: 0.5 μm MIN. NI
 CONTACT AREA: 0.1 μm MIN GOLD OVER
 0.5 μm MIN Pd-NI
 SOLDER TAIL: 2.5 μm MIN Sn-Pb
- 3 DIM 1"**

4.25±.1	3.5±.1	5.0±.1
OTHERS	36.87	1.17,34,35,51,68
- 4 RECOMMENDED HOLD DOWN - 2mm SCREWS**
 (95121-DD1) FOR 72294-000 & -500;
 (95121-DD3) FOR 72294-020 & -520;
 AND NUTS (92889-001).
 RECOMMENDED SCREW TORQUE: 1.0 TO 1.5 MAX in-lbs. (1.2-1.7 cm-kg).



P/N: 72294-020 (SHOWN)
 ABOVE P.C.B.
 2mm STAND-OFF

mat'l. code				tolerances unless otherwise specified				CUSTOMER COPY		Electronics www.fciconnect.com	
ltr	ecn no	dr	date	.X±.3		linear		projection		title	
B				.XX±.13						DOUBLE DECK HEADER/GUIDE RAILS ASSEMBLY FOR TYPE 123	
				.XXX±.051		angles		MM		product family MCS	
				0° ±2°		dr		scale		size	
						engr		1:1		dwg no	
						chr		A4		72294	
						appd				sheet 2 of	
sheet index	revision sheet									cage code	22526

ACAD

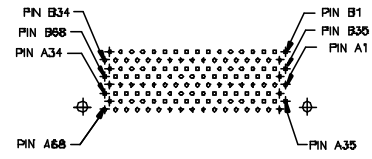
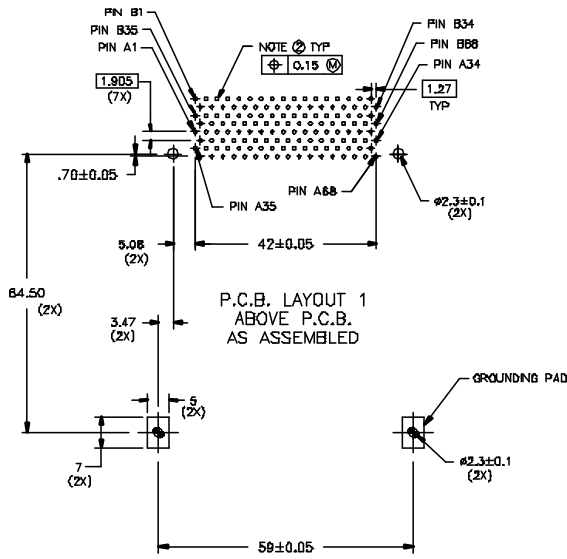
Tous droits strictement réservés. Reproduction ou communication à des tiers sans autorisation écrite de l'éditeur. Propriété de FCI. droits de reproduction FCI.

All rights strictly reserved. Reproduction or issue to third parties in any form without written authorization from the proprietor. Property of FCI. Copyright FCI.

1 | 2

3 |

4



- NOTES:
1. ALL TOLERANCES ± 0.15 UNLESS NOTED.
 2. RECOMMENDED DIAMETER IS $\phi 1.0$ FOR PROCESSES USING PASTE REFLOW, HOLE MAY BE AS SMALL AS $\phi 0.75$

mat'l. code				tolerances unless otherwise specified				CUSTOMER COPY		 www.fciconnect.com	
itr	ecn no	dr	date	linear	.X±.3	projection	title	DOUBLE DECK HEADER / GUIDE		code	
B					.XX±.13		RAILS ASSEMBLY FOR TYPE 123				
				angles	.XXX±.051		product family	MCS	sheet		
				dr	0° ± 2°	MM	size	dwg no	3 of		
				engr	R.GRAPE 7/16/95	1:1	A4	72294			
				chr	D.BRANN 7/16/95						
				appd	D.BRANN 7/16/95						
sheet index	revision sheet							cage code			
								22526			

ACAD

PDM: Rev:B

STATUS: Released

Printed: Oct 12, 2010

1 | 2

3 |

4