

# HIGH FREQUENCY MAGNETICS

## T1/E1 Octal Transformer Modules



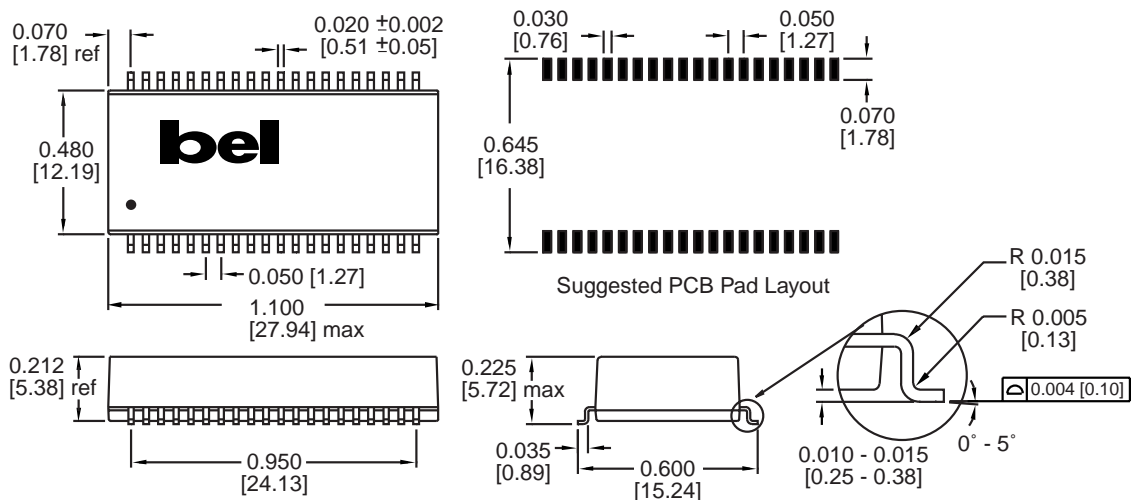
TM00132

### ELECTRICAL SPECIFICATIONS at 25° C

Part Number	Turns Ratio ± 3%		Primary Inductance mH min	Leakage Inductance μH max	Interwinding Capacitance pF max	DCR Ω max			
	TXIN : TXO	RXIN : RXO	RXIN/TXIN	RXIN/TXIN	RXIN/TXIN	TXIN	TXO	RXIN	RXO
S553-5692-08	1 : 1.36	1 : 1.36CT	1.25	0.8	35	1.9	2.8	1.9	2.8
S553-5692-09	1 : 1.14	1 : 1.14CT	1.25	0.8	35	2.2	2.6	2.2	2.6
S553-6500-35	1 : 2CT	1 : 2CT	1.2	0.8	40	0.9	1.8	0.9	1.8
S553-6500-40	1 : 2CT	1CT : 1	1.2	0.6	40	0.7	1.4	0.7	1.4
S553-6500-43	1 : 1.36	1 : 1	1.2	0.6	40	0.7	1.0	0.7	0.7
S553-6500-44	1 : 1.15	1 : 1	1.2	0.6	40	0.7	0.85	0.7	0.7
S553-6500-55	1CT : 2	1 : 2CT	1.2	0.6	40	0.7	1.4	0.7	1.4
S553-6500-58	1 : 1.36CT	1 : 1CT	1.2	0.6	35	0.7	1.0	0.7	0.35
S553-6500-61	1 : 1.41	1 : 1.41	1.5	0.6	40	0.7	1.0	0.7	1.0
S553-6500-66	1 : 2.42	2.42 : 1	1.5	0.5	35	0.7	1.0	0.7	1.0
S553-6500-69	1 : 1.36CT	1 : 2CT	1.2	0.6	40	0.7	1.0	0.7	1.4

### MECHANICAL

- S553-5692-08
- S553-5692-09
- S553-6500-35
- S553-6500-40
- S553-6500-43
- S553-6500-44
- S553-6500-55
- S553-6500-58
- S553-6500-61
- S553-6500-66
- S553-6500-69



Dimensions are in inches [millimeters].  
Standard dimension tolerance is ±0.005 [0.13] unless otherwise noted.

©2000 Bel Fuse Inc. Specifications subject to change without notice. 06.01

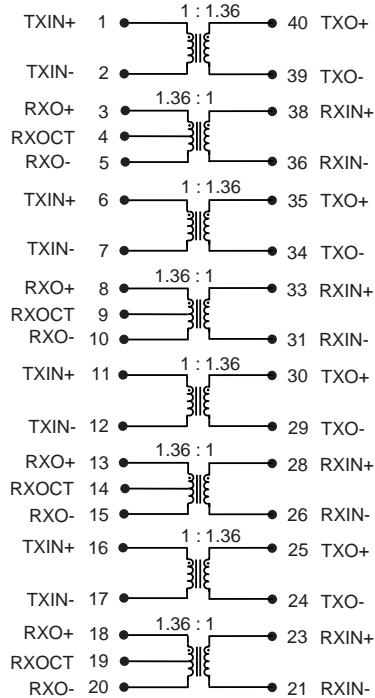
Bel Fuse Inc. 206 Van Vorst Street, Jersey City, NJ 07302 • Tel 201-432-0463 • Fax 201-432-9542 • www.belfuse.com

T1-71

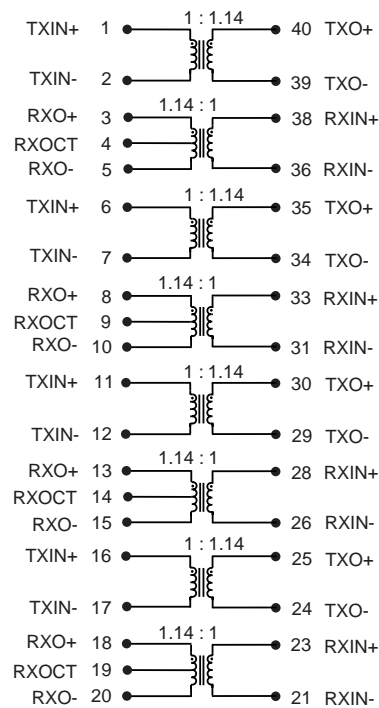
TM00132

#### SCHEMATICS

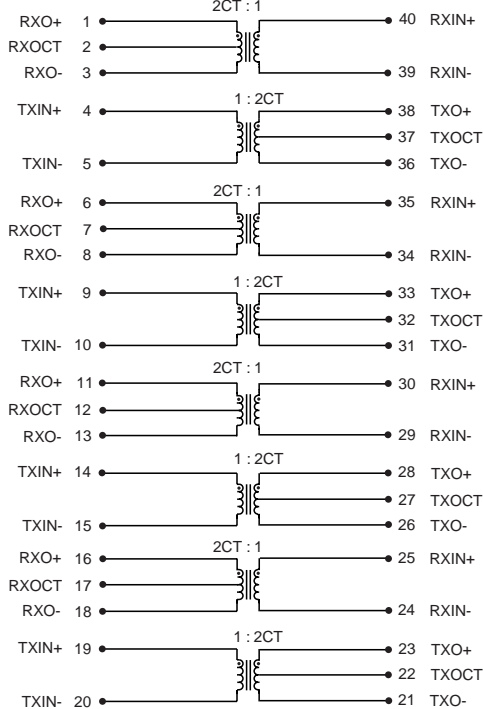
**S553-5692-08**



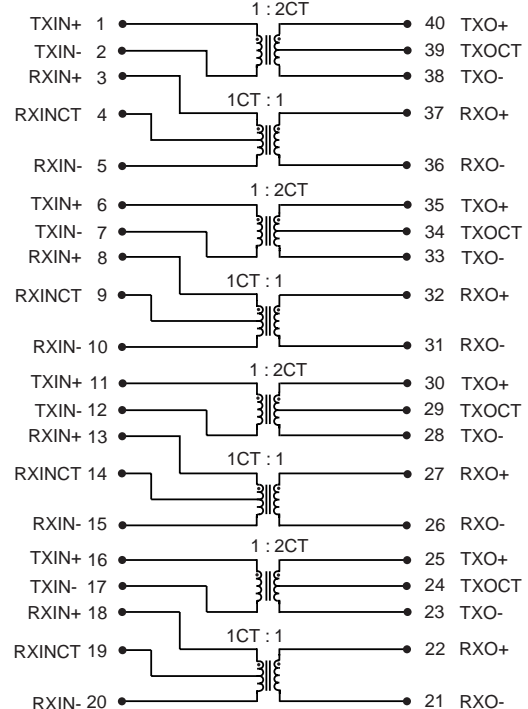
**S553-5692-09**



**S553-6500-35**



**S553-6500-40**



# HIGH FREQUENCY MAGNETICS

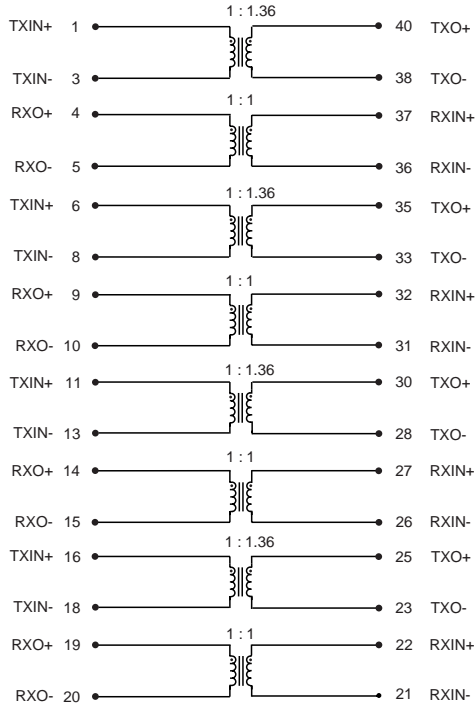
## T1/E1 Octal Transformer Modules



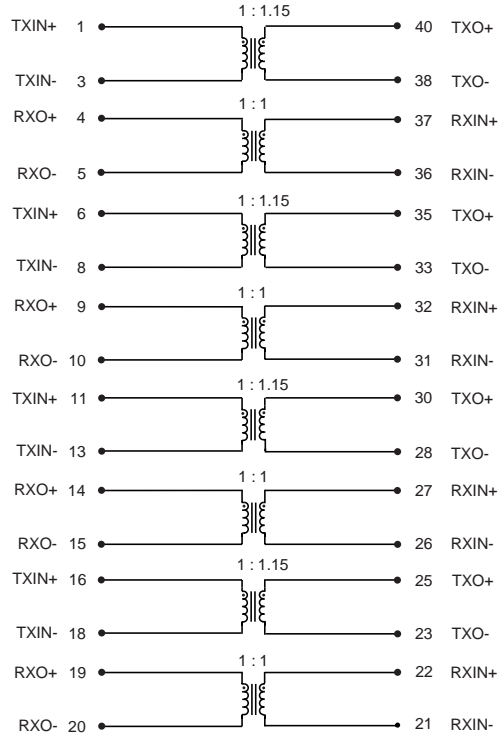
TM00132

### SCHEMATICS

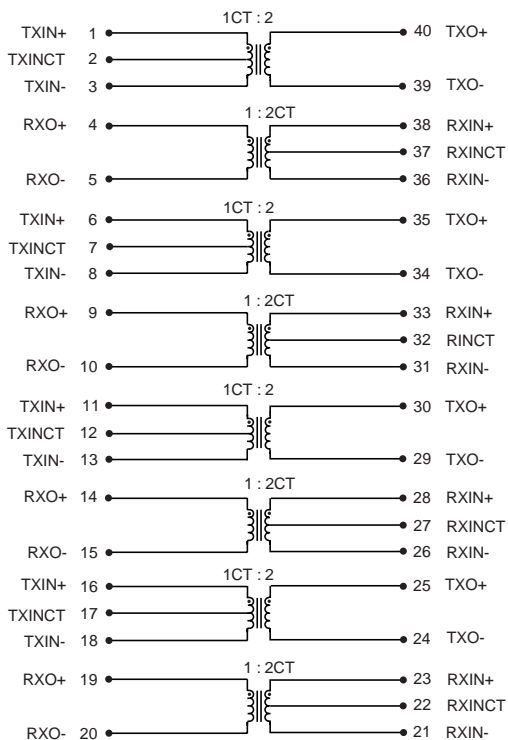
**S553-6500-43**



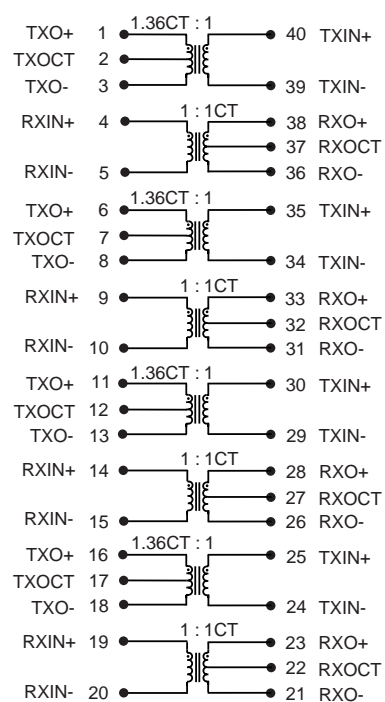
**S553-6500-44**



**S553-6500-55**



**S553-6500-58**

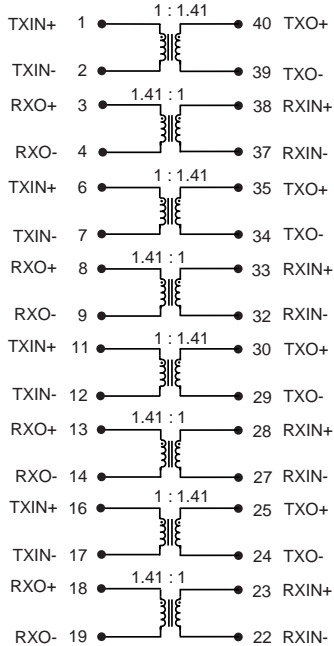


©2000 Bel Fuse Inc. Specifications subject to change without notice. 06.01

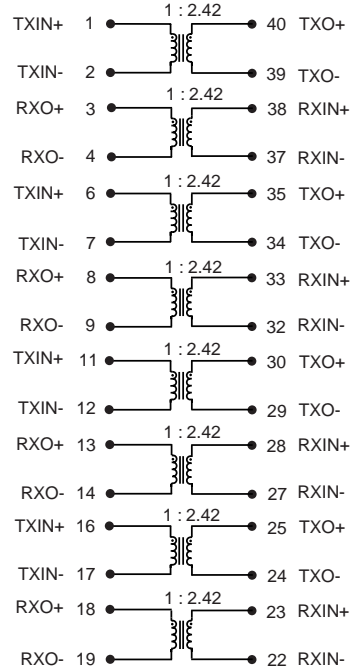
TM00132

#### SCHEMATICS

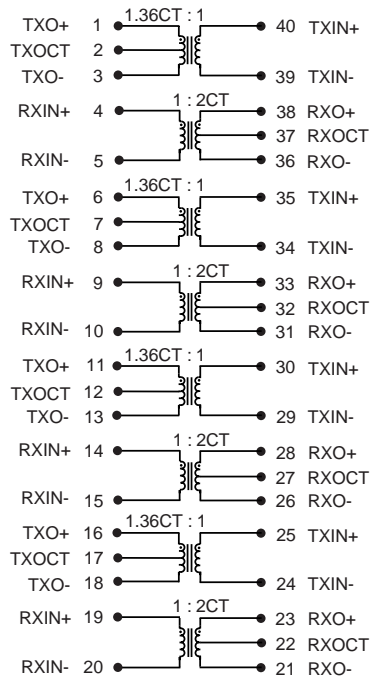
**S553-6500-61**



**S553-6500-66**



**S553-6500-69**



- Octal transformer solutions for T1/E1 applications including concentrators, channel banks and cellular base stations
- Octals utilize Bel's popular 40-pin SMD package
- Designed to meet the stringent demands of high density designs
- Minimum interwinding breakdown voltage of 1500 Vrms
- Designed for UL1459/UL1950
- For operating temperature range of -40° to +85° C, OCL is 600µH minimum at -40° C

©2000 Bel Fuse Inc. Specifications subject to change without notice. 06.01

#### CORPORATE

**Bel Fuse Inc.**  
 206 Van Vorst Street  
 Jersey City, NJ 07302  
 Tel 201-432-0463  
 Fax 201-432-9542  
 www.belfuse.com

T1-74

#### FAR EAST

**Bel Fuse Ltd.**  
 8F / 8 Luk Hop Street  
 San Po Kong  
 Kowloon, Hong Kong  
 Tel 852-2328-5515  
 Fax 852-2352-3706  
 www.belfuse.com

#### EUROPE

**Bel Fuse Europe Ltd.**  
 Preston Technology Management Centre  
 Marsh Lane, Suite G7, Preston  
 Lancashire, PR1 8UD, U.K.  
 Tel 44-1772-556601  
 Fax 44-1772-888366  
 www.belfuse.com