

# 10/100BASE-T LAN MAGNETICS

## Single-Port Transformer Modules

LM00410

- Low profile, surface mount packaging rated to 225° C peak IR reflow temperature
- Operating temperature 0° to 70° C
- Meets all IEEE 802.3 standards including 350µH with 8mA bias
- Minimum interwinding breakdown voltage of 1500 Vrms

### ELECTRICAL SPECIFICATIONS AT 25° C

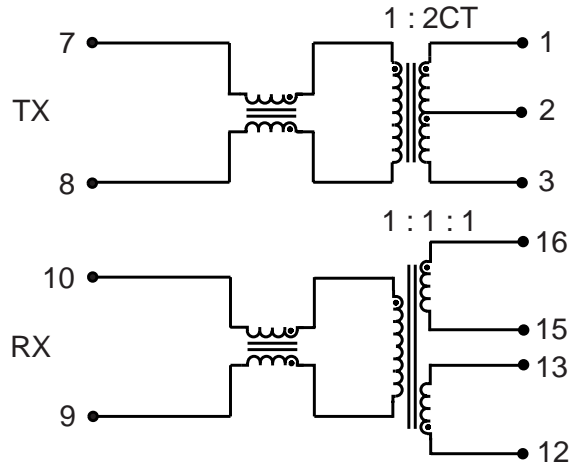
Part Number	Insertion Loss dB max	Return Loss dB min				Common to Differential Mode Rejection dB min		Crosstalk dB min			
		100kHz to 100MHz	100kHz to 30MHz	30MHz to 60MHz	60MHz to 80MHz	100kHz to 100MHz		1MHz	30MHz	60MHz	100MHz
S558-1287-00	-1.0	-20	-19	-12	-40	-40	-65	-55	-50	-40	
S558-1287-01	-1.0	-18	-12	-12	-40	-40	-65	-55	-50	-40	
S558-1287-02	-1.0	-20	-19	-12	-40	-40	-65	-55	-50	-40	
S558-1287-03	-1.0	-20	-18	-12	-40	-40	-65	-55	-50	-40	
S558-5999-50	-1.0	-20	-19	-12	-50	-30	-65	-55	-45	-35	
S558-5999-54	-1.0	-20	-19	-12	-50	-30	-65	-55	-45	-35	
S558-5999-64	-1.0	-20	-19	-12	-40	-40	-65	-55	-45	-35	
S558-5999-82	-1.0	-18	-12	-12	-40	-40	-65	-55	-50	-40	
S558-5999-86	-1.0	-20	-19	-12	-35	-30	-65	-55	-45	-35	
S558-5999-96	-1.0	-20	-18	-12	-40	-40	-65	-55	-50	-40	
S558-5999-97	-1.0	-20	-19	-12	-35	-30	-65	-55	-45	-35	
S558-5999-E3	-1.0	-20	-18	-12	-40	-40	-65	-55	-50	-40	

## 10/100BASE-T LAN MAGNETICS Single-Port Transformer Modules

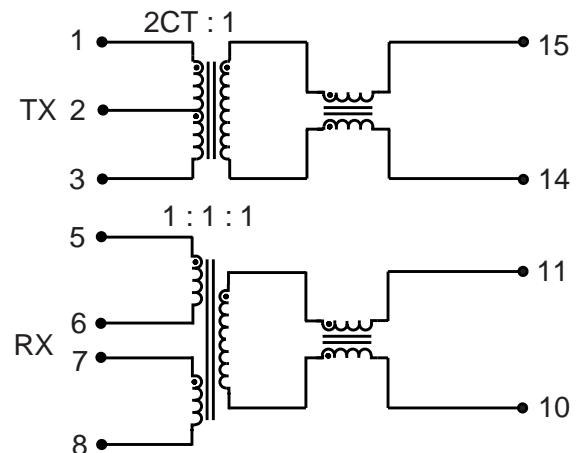
### SCHEMATICS

Part Number	Turns Ratio	
	TX (Pri : Sec)	RX (Pri : Sec)
S558-1287-00	2CT : 1	1 : 1 : 1
S558-1287-01	2CT : 1	1 : 1 : 1
S558-1287-02	2CT : 1	1 : 1 : 1
S558-1287-03	1 : 2CT	1 : 1
S558-5999-50	1 : 1.41CT	1CT : 1CT
S558-5999-54	1CT : 1.41CT	1CT : 1CT
S558-5999-64	1 : 2CT	1 : 1
S558-5999-82	1CT : 2CT	1 : 1 : 1CT
S558-5999-86	1 : 1.23CT	1CT : 1CT
S558-5999-96	2CT : 1	1CT : 1CT
S558-5999-97	1CT : 1.23	1CT : 1CT
S558-5999-E3	2CT : 1	1CT : 1CT

S558-1287-00  
S558-1287-02



S558-1287-01



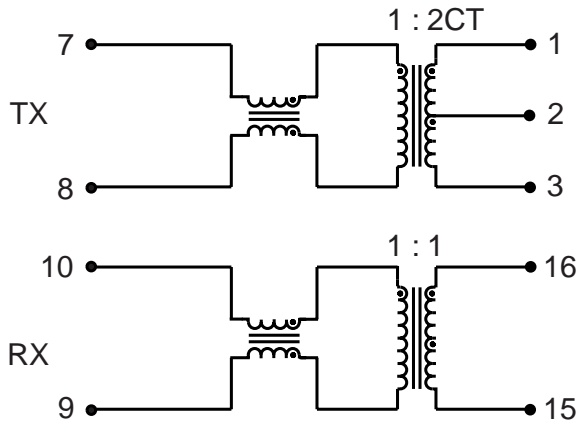
# 10/100BASE-T LAN MAGNETICS

## Single-Port Transformer Modules

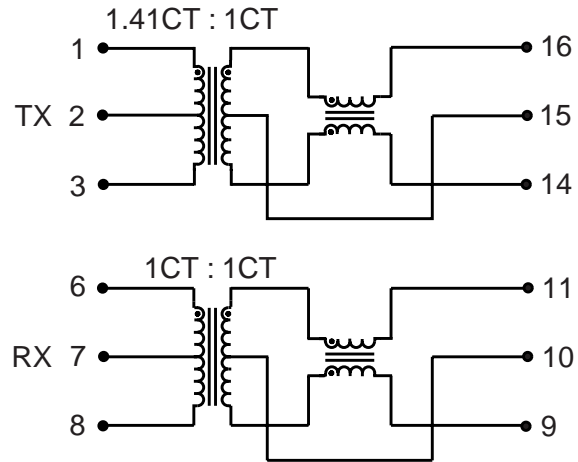
LM00410

### SCHEMATICS

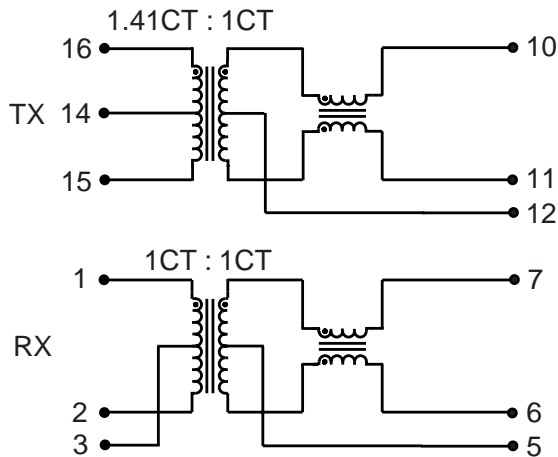
S558-1287-03



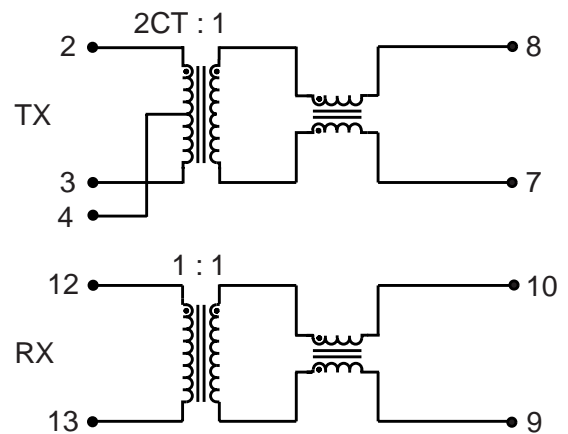
S558-5999-50



S558-5999-54

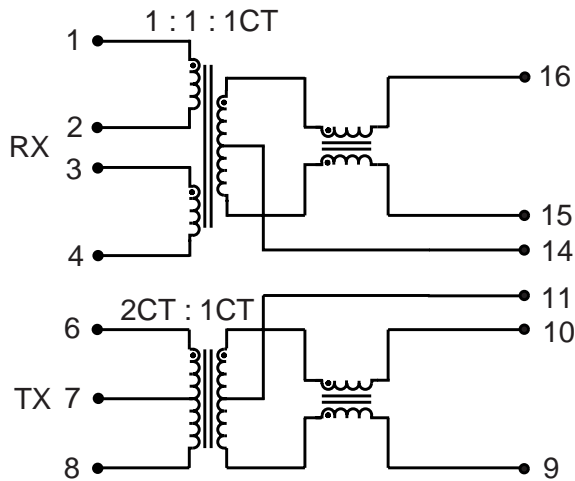


S558-5999-64

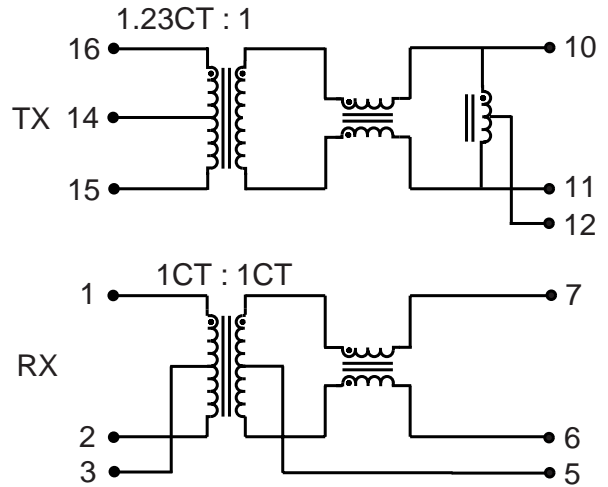


#### SCHEMATICS

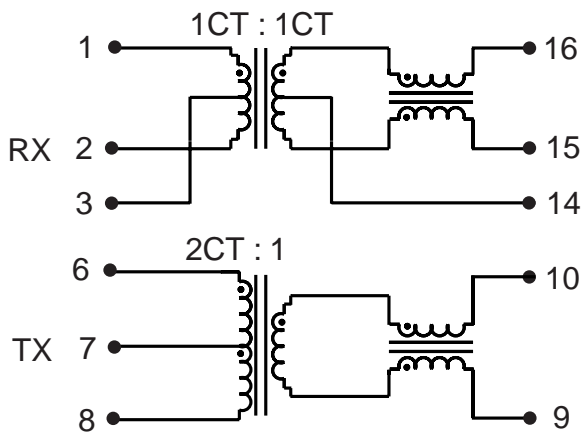
S558-5999-82



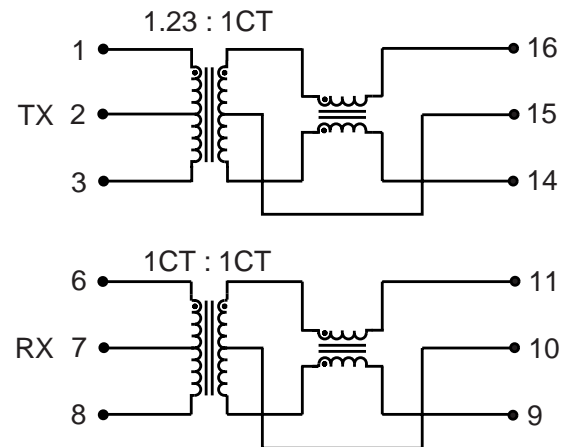
S558-5999-86



S558-5999-96



S558-5999-97



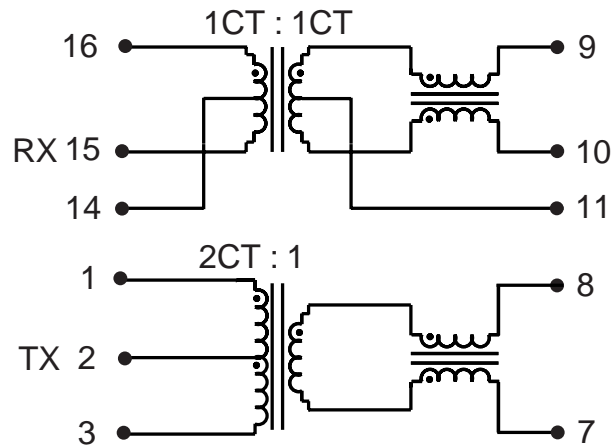
# 10/100BASE-T LAN MAGNETICS

## Single-Port Transformer Modules

LM00410

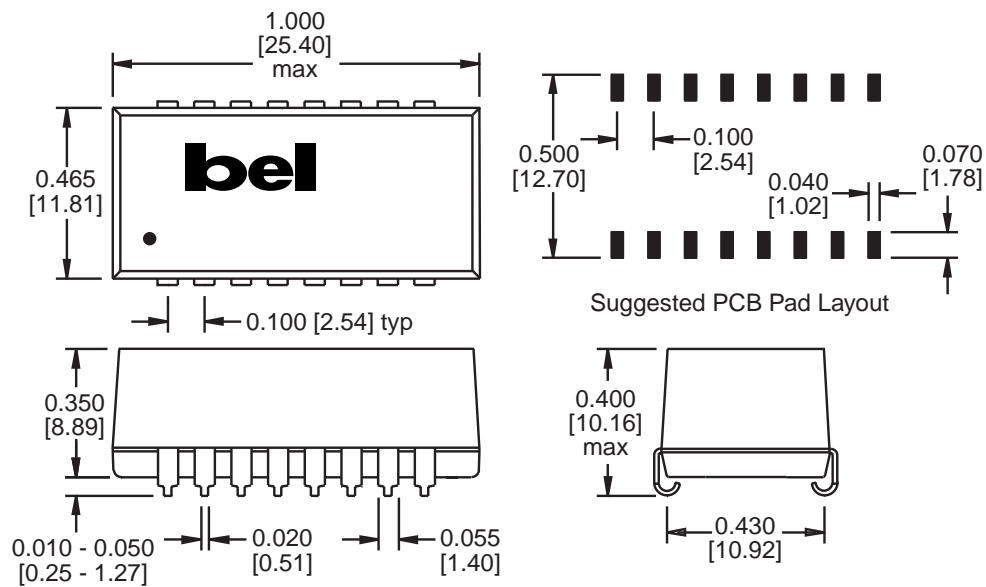
### SCHEMATICS

S558-5999-E3



### MECHANICALS

S558-1287-00

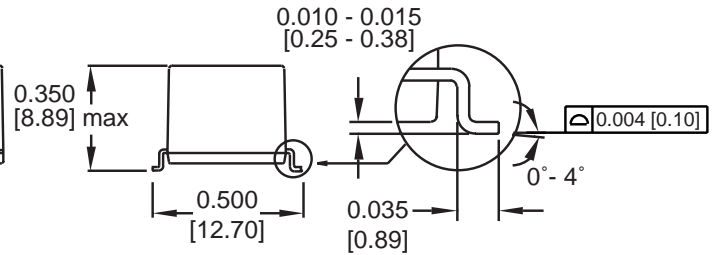
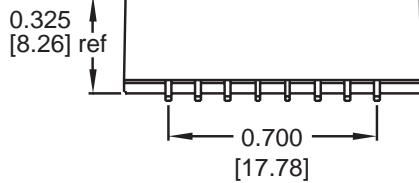
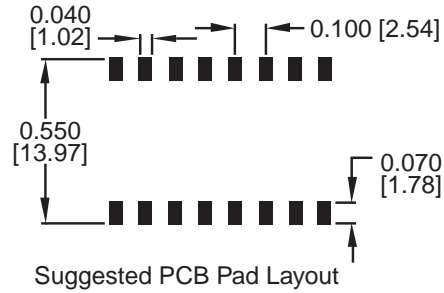
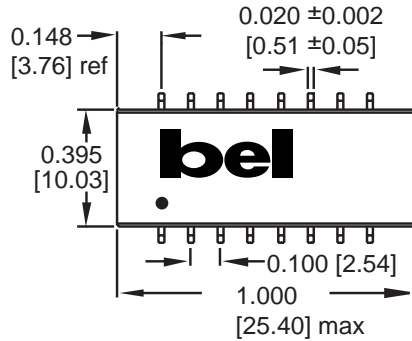


Dimensions are in inches [millimeters].  
Standard dimension tolerance is  $\pm 0.005$  [0.13] unless otherwise noted.

LM00410

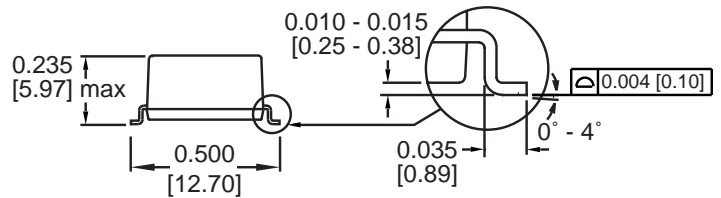
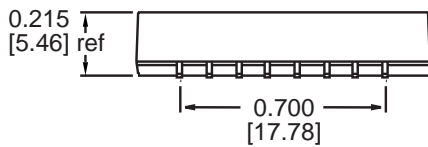
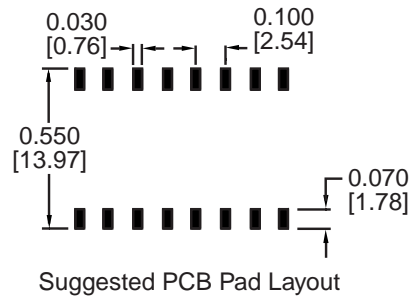
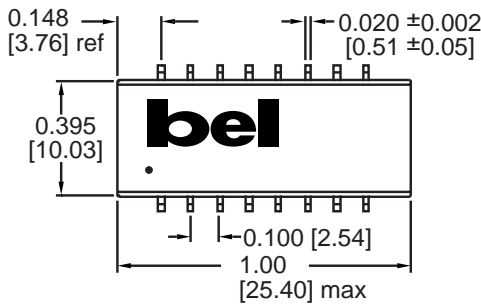
### MECHANICALS

S558-1287-01  
S558-1287-02  
S558-1287-03  
S558-5999-64



Dimensions are in inches [millimeters].  
Standard dimension tolerance is ±0.005 [0.13] unless otherwise noted.

S558-5999-50  
S558-5999-54  
S558-5999-82  
S558-5999-86  
S558-5999-96  
S558-5999-97  
S558-5999-E3



Dimensions are in inches [millimeters].  
Standard dimension tolerance is ±0.005 [0.13] unless otherwise noted.

©2001 Bel Fuse Inc. Specifications subject to change without notice. 09.01

#### CORPORATE

**Bel Fuse Inc.**  
206 Van Vorst Street  
Jersey City, NJ 07302  
Tel 201-432-0463  
Fax 201-432-9542  
www.belfuse.com

#### FAR EAST

**Bel Fuse Ltd.**  
8F / 8 Luk Hop Street  
San Po Kong  
Kowloon, Hong Kong  
Tel 852-2328-5515  
Fax 852-2352-3706  
www.belfuse.com

#### EUROPE

**Bel Fuse Europe Ltd.**  
Preston Technology Management Centre  
Marsh Lane, Suite G7, Preston  
Lancashire, PR1 8UD, U.K.  
Tel 44-1772-556601  
Fax 44-1772-888366  
www.belfuse.com