

- Designed to meet UL1950 and IEC950 safety requirements
- Operating temperature range: -40° C to +85° C
- Meets IEC 695, 2-2 flammability requirements
- PWB Process Capability: standard printed wiring board assembly techniques, total-immersion cleaning
- Reliability testing: shock, vibration, temperature cycling, temperature - humidity - bias

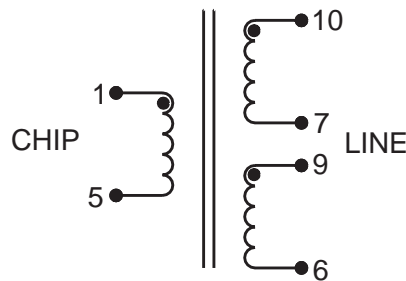
**ELECTRICAL SPECIFICATIONS AT 25° C**

Part Number	Turns Ratio <sup>1</sup> ±2%	Inductance <sup>3</sup> mH	Leakage Inductance <sup>4</sup> µH max	DCR Ω max			Direct Capacitance <sup>5</sup> pF max	Dielectric Rating Vrms
	(1-5) : (10-6) <sup>2</sup>	(10-6) <sup>2</sup>	(10-6) <sup>5</sup>	(1-5)	(10-7)	(9-6)	between (1-5) & (10-6) <sup>2</sup>	between (1-5) & (10-6) <sup>2</sup>
S560-6600-A8	1 : 2.2	2.82 - 3.18	10	1.2	1.2	1.2	90	1500

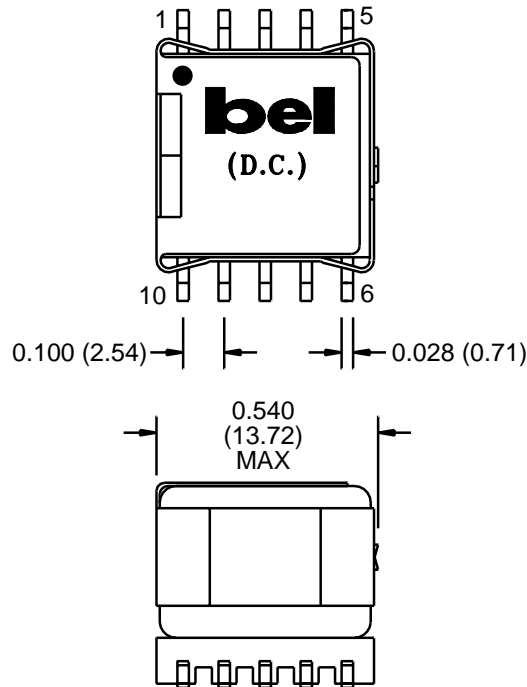
1. measured at 20 kHz, 1 Vrms
2. connect terminals 7 to 9
3. measured at 10 kHz, 0.1 Vrms
4. measured at 100 kHz, 0.1 Vrms
5. connect terminals 7 to 9, short terminals 1 & 5
6. measured at 1 kHz, 1 Vrms

**SCHEMATIC**

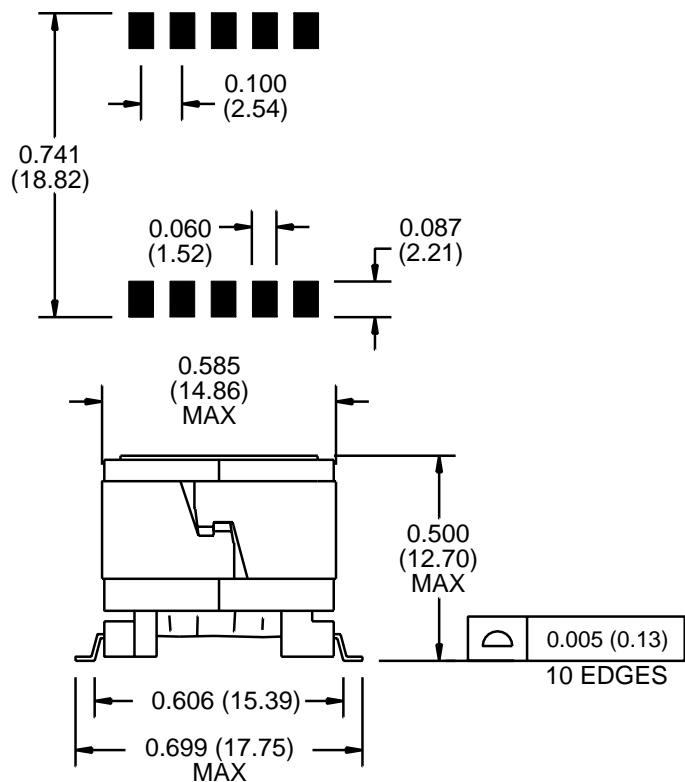
**S560-6600-A8**



S560-6600-A8



SUGGESTED PCB PAD LAYOUT



**CORPORATE**

**Bel Fuse Inc.**  
 206 Van Vorst Street  
 Jersey City, NJ 07302  
 Tel 201-432-0463  
 Fax 201-432-9542  
 www.belfuse.com

T3-40

**FAR EAST**

**Bel Fuse Ltd.**  
 8F / 8 Luk Hop Street  
 San Po Kong  
 Kowloon, Hong Kong  
 Tel 852-2328-5515  
 Fax 852-2352-3706  
 www.belfuse.com

**EUROPE**

**Bel Fuse Europe Ltd.**  
 Preston Technology Management Centre  
 Marsh Lane, Suite G7, Preston  
 Lancashire, PR1 8UD, U.K.  
 Tel 44-1772-556601  
 Fax 44-1772-888366  
 www.belfuse.com