

## Features

- Dual surface mount packaging
- HIPOT 500 Vrms
- Operating temperature -40 °C to +85 °C
- Lead free version available (see How to Order)
- Lead free versions are RoHS compliant\*

## Applications

- Telecom

# PT75161E - T1/E1 Transformer

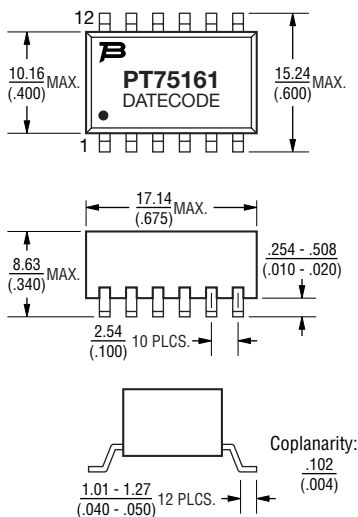
### Electrical Specifications @ 25 °C

Turns Ratio ±3 %	
(1-3):(12-11):(11-10) .....	1:2:2
(4-6):(9-8):(8-7) .....	1:2:2
OCL (1-3) @ 1 kHz, 0.1 Vrms	
.....	10 mH min.
OCL (4-6) @ 1 kHz, 0.1 Vrms	
.....	10 mH min.
Le (1-3) @ 100 kHz, 0.1 Vrms,	
Short (pin 12-10) .....	.5 µH max.
Le (4-6) @ 100 kHz, 0.1 Vrms,	
Short (pin 9-7) .....	.5 µH max.
Cww (1,3) to (10,11,12)	
@ 100 kHz, 1 V .....	100 pF max.
Cww (4,6) to (7,8,9)	
@ 100 kHz, 1 V .....	100 pF max.
DCR (1-3) (Ω max.) .....	3.5
DCR (4-6) (Ω max.) .....	3.5
HIPOT (VAC) .....	500
Return Loss (1-3) @ 5 kHz - 1 MHz,	
source (1-3) = 75 ohm,	
load (12-10) = 1.2K ohm .....	18 dB min.
Return Loss (4-6) @ 5 kHz - 300 kHz,	
source (4-6) = 50 ohm,	
load (9-7) = 1.2K ohm .....	18 dB min.
Return Loss (1-3) @ 5 kHz - 300 kHz,	
source (1-3) = 50 ohm,	
load (12-10) = 800 ohm .....	20 dB min.
Return Loss (4-6) @ 5 kHz - 300 kHz,	
source (4-6) = 50 ohm,	
load (9-7) = 800 ohm .....	20 dB min.

### Packaging Specifications

Tape & Reel.....330 pcs./reel

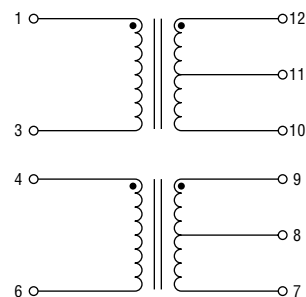
### Product Dimensions



DIMENSIONS ARE:  $\frac{\text{MM}}{\text{(INCHES)}}$

TOLERANCE:  $\pm \frac{0.25}{(.010)}$

### Electrical Schematic



### How to Order

Model **PT75161E**

Termination \_\_\_\_\_  
 Blank = Tin-lead  
 L = Tin only (lead free)