

14

13

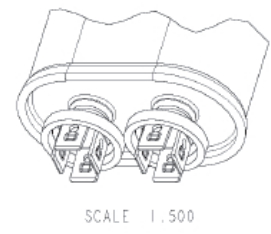
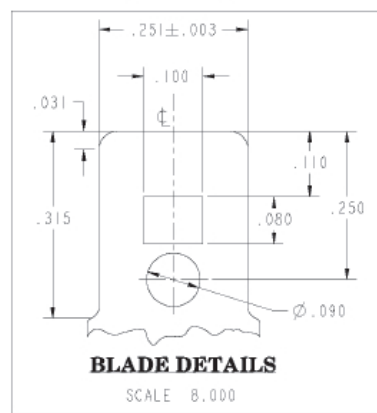
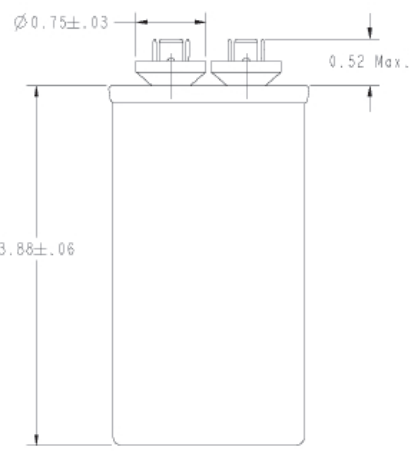
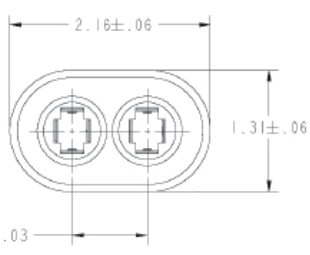
12

REV. 0 1

27L1002

RBC PROPRIETARY AND CONFIDENTIAL INFORMATION
 This document is the property of REGAL-BELOIT CORPORATION ("RBC") including the information and data contained hereon. It is to be used only for the purposes intended by RBC. It is not to be distributed, copied, or otherwise used in any way without the express written consent of RBC. The information shall be held in confidence only in approved instances by RBC. This document shall be returned to RBC upon request. This document may be subject to review without notice by RBC without notice and regulation.

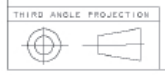
REVISIONS			
REV.	DESCRIPTION	DATE	APPROVED



SPECIFICATIONS :

"GEM-III Capacitors are manufactured with High Grade Metallized Polypropylene Film"

Main Capacitance	± 20.00µF ± 6%
Secondary Capacitance	± NIL
Volts	± 370AC
Leakage Current	± 30µA Max.
Frequency	± 50/60 HZ
Operating Temperature	± -40 DEG C TO 70 DEG C
Storage Temperature	± -40 DEG C TO 90 DEG C
Operative Life	± 60,000 HRS WITH 94% SURVIVAL
Dissipation Factor	± 0.1% MAX.
Case Material	± ALUMINIUM
Cover Material	± STEEL TIN PLATED
Terminals	± 0.250" x 0.031" Quick Connect Blades
Dielectric Fluid	± DIELEKTROL VI
Internal Protection	± UL RECOGNIZED PRESSURE SENSITIVE INTERRUPTER



FOR ADDITIONAL INFO REFER TO:	SIGNATURES	DATE
APPROVED	MSHEL	11/28/07
DETAILS	NT02008	11/28/07
CHECKER	HE	11/28/07
ENGR		
WFO		
QUALITY		
ISSUED		
FRACTIONS ±		
FINISH		
MATERIAL	0013 MODEL: 27CAPACITOR.ASK	

REGAL-BELOIT CORPORATION

GEM III CAPACITOR OUTLINE DRAWING

SIZE: DRAWING: **27L1002** REV: 0

SCALE: 1.200 REF. No. SHEET 1 OF 1

14

13

12

11