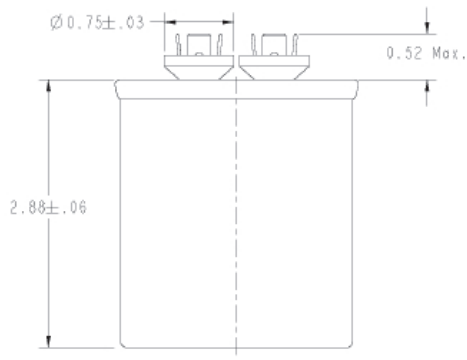
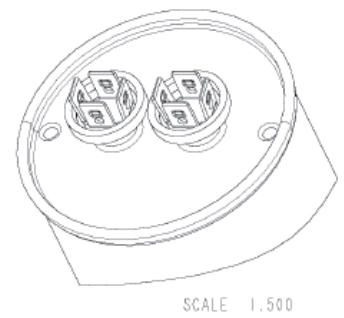
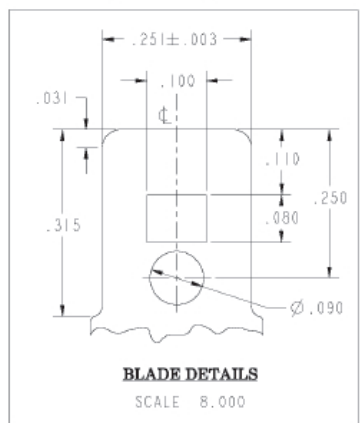
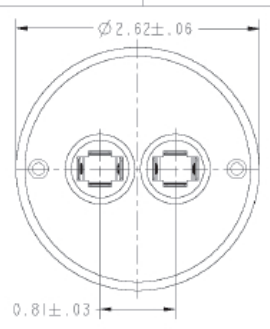


RBC PROPRIETARY AND CONFIDENTIAL INFORMATION
 This document is the property of REGAL-BELOIT CORPORATION ("RBC") including the information and data contained hereon. It is to be used only for the purposes intended by RBC and is not to be distributed, copied, or otherwise used in any way without the express written consent of RBC. The information contained hereon is for internal use only and is not to be used for any other purpose. This document shall be returned to RBC upon the request of RBC. This document may be subject to change without notice and is not to be used for any other purpose.

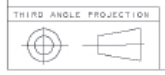
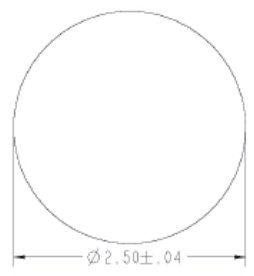
REV. C	DESCRIPTION	DATE	APPROVED
REVISIONS			



SPECIFICATIONS :

"GEM-III Capacitors are manufactured with High Grade Metallized Polypropylene Film"

Main Capacitance	± 45.00uF ± 6%
Secondary Capacitance	± NIL
Volts	± 440AC
Leakage Current	± 30uA Max.
Frequency	± 50/60 HZ
Operating Temperature	± -40 DEG C TO 70 DEG C
Storage Temperature	± -40 DEG C TO 90 DEG C
Operative Life	± 60,000 HRS WITH 94% SURVIVAL
Dissipation Factor	± 0.1% MAX.
Case Material	± ALUMINIUM
Cover Material	± STEEL TIN PLATED
Terminals	± 0.250"x0.031" Quick Connect Blades
Dielectric Fluid	± DIELEKTROL VI
Internal Protection	± UL RECOGNIZED PRESSURE SENSITIVE INTERRUPTER



FOR ADDITIONAL INFO REFER TO:	SIGNATURES	DATE
APPROVED	MODEL	11/28/07
PRACTICES	DETAIL	11/28/07
UNLESS OTHERWISE SPECIFIED	CHECKER	11/28/07
DIMENSIONS ARE IN INCHES	INSP	
TOLERANCE ON:	WIG	
1 PL DECIMALS ± 0.1	QUALITY	
2 PL DECIMALS ± 0.01	ISSUED	
3 PL DECIMALS ± 0.001		
ANGLES ± 0.5		
FRACTIONS ±		
FINISH		
MATERIAL		

REGAL-BELOIT CORPORATION

**GEM III CAPACITOR
OUTLINE DRAWING**

SIZE: C DRAWING: 27L1001 REV: 0

SCALE: 1.250 REF. No. SHEET 1 OF 1