

Aluminum Capacitors Power Ultra Miniature Snap-In

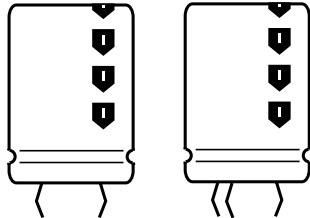
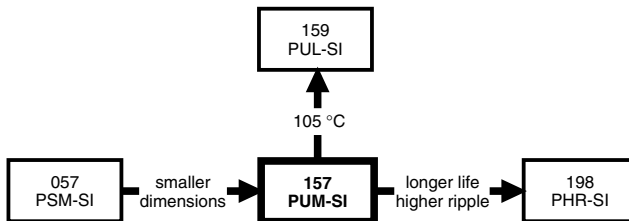


Fig.1 Component outlines


FEATURES

- Polarized aluminum electrolytic capacitors, non-solid electrolyte
- Large types, very small dimensions, cylindrical aluminum case, insulated with a blue sleeve
- Useful life: 5000 hours at 85 °C
- Keyed polarity version available


**RoHS
COMPLIANT**
APPLICATIONS

- General purpose, industrial and audio/video systems
- Smoothing and filtering
- Standard and switched mode power supplies
- Energy storage in pulse systems

MARKING

The capacitors are marked (where possible) with the following information:

- Rated capacitance (in μF)
- Tolerance on rated capacitance, code letter in accordance with IEC 60062 (M for $\pm 20\%$)
- Rated voltage (in V)
- Date code (YYMM)
- Name of manufacturer
- Code for factory of origin
- '-' sign to identify the negative terminal, visible from the top and side of the capacitor
- Code number, all 12 or last 8 digits (2222) 157 xxxxx
- Climatic category in accordance with IEC 60068

QUICK REFERENCE DATA

| DESCRIPTION | VALUE |
|--|--|
| Nominal case sizes (\varnothing D x L in mm) | 22 x 25 to 35 x 60 |
| Rated capacitance range (E6/E12 series), C_R | 56 μF to 2200 μF |
| Tolerance on C_R | $\pm 20\%$ |
| Rated voltage range, U_R | 200 V, 250 V 400 V, 450 V |
| Category temperature range | - 25 to + 85 °C |
| Endurance test at 85 °C | 3000 hours |
| Load life at 85 °C | 3000 hours |
| Useful life at 85 °C | 5000 hours |
| Useful life at 40 °C, 1.4 x I_R applied | 90 000 hours |
| Shelf life at 0 V, 85 °C | 1000 hours |
| Based on sectional specification | IEC 60384-4/EN130300 |
| Climatic category IEC 60038 | 25/085/56 |

SELECTION CHART FOR C_R , U_R AND RELEVANT NOMINAL CASE SIZES (\varnothing D x L in mm)

| C_R (μF) | U_R (V) | | | |
|----------------------------|-----------|-----|---------|---------|
| | 200 | 250 | 400 | 450 |
| 56 | - | - | - | 22 x 25 |
| 68 | - | - | 22 x 25 | 22 x 30 |
| 82 | - | - | 22 x 25 | 22 x 30 |
| | - | - | - | 25 x 25 |
| 100 | - | - | 22 x 30 | 22 x 35 |
| | - | - | - | 25 x 30 |
| 120 | - | - | 22 x 30 | 22 x 40 |
| | - | - | - | 25 x 30 |
| | - | - | - | 30 x 25 |

| SELECTION CHART FOR C_R, U_R AND RELEVANT NOMINAL CASE SIZES (∅ D x L in mm) | | | | |
|---|--------------------|---------|---------|---------|
| C _R (μF) | U _R (V) | | | |
| | 200 | 250 | 400 | 450 |
| 150 | - | - | 22 x 35 | 25 x 35 |
| | - | - | 25 x 30 | 25 x 40 |
| | - | - | - | 30 x 30 |
| 180 | - | - | 22 x 40 | 25 x 40 |
| | - | - | 25 x 35 | 30 x 35 |
| | - | - | - | 35 x 25 |
| 220 | - | 22 x 30 | 25 x 40 | 25 x 50 |
| | - | - | 30 x 30 | 30 x 40 |
| | - | - | 35 x 25 | 35 x 30 |
| 270 | 22 x 25 | 22 x 30 | 25 x 45 | 30 x 45 |
| | - | 25 x 25 | 30 x 35 | 35 x 35 |
| | - | - | 35 x 30 | - |
| 330 | 22 x 30 | 22 x 35 | 30 x 40 | 30 x 50 |
| | - | 25 x 30 | 35 x 30 | 35 x 40 |
| 390 | 22 x 30 | 22 x 40 | 30 x 45 | 35 x 45 |
| | - | 30 x 25 | 35 x 35 | - |
| 470 | 22 x 35 | 25 x 35 | 30 x 50 | 35 x 50 |
| | 25 x 30 | 30 x 30 | 35 x 40 | - |
| 560 | 22 x 40 | 25 x 40 | 35 x 45 | - |
| | 25 x 35 | 30 x 30 | - | - |
| | 30 x 25 | 35 x 25 | - | - |
| 680 | 25 x 40 | 25 x 45 | 35 x 50 | 35 x 60 |
| | 30 x 30 | 30 x 35 | - | - |
| | 35 x 25 | 35 x 30 | - | - |
| 820 | 25 x 45 | 30 x 40 | 35 x 60 | - |
| | 30 x 35 | 35 x 35 | - | - |
| | 35 x 30 | - | - | - |
| 1000 | 30 x 40 | 30 x 45 | - | - |
| | 35 x 30 | 35 x 40 | - | - |
| 1200 | 30 x 45 | 35 x 45 | - | - |
| | 35 x 35 | - | - | - |
| 1500 | 30 x 50 | 35 x 50 | - | - |
| | 35 x 40 | - | - | - |
| 1800 | 35 x 45 | - | - | - |
| 2200 | 35 x 50 | - | - | - |

DIMENSIONS in millimeters AND AVAILABLE FORMS

TWO TERMINAL SNAP-IN

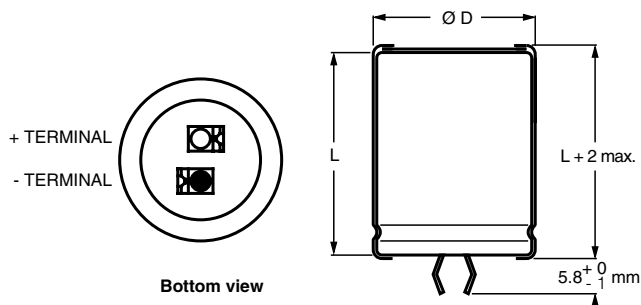


Fig.2 Two terminal snap-in

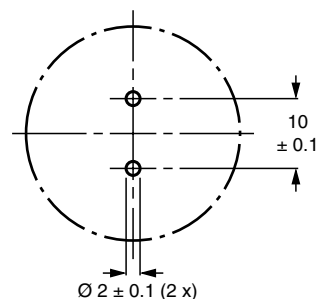
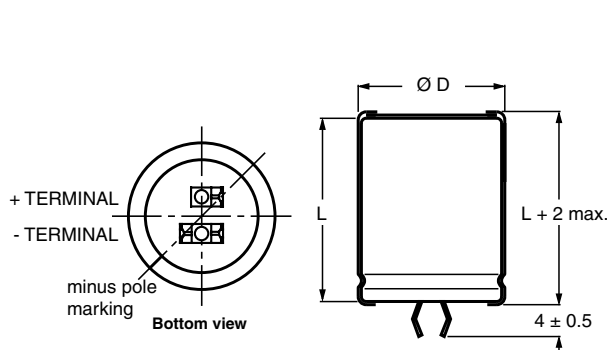


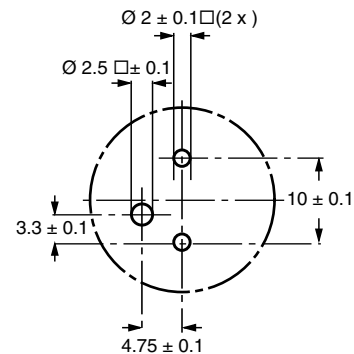
Fig.3 Mounting hole diagram

The minus terminal can be marked with a black dot or with an imprinted '-' sign.

THREE TERMINAL SNAP-IN


The negative terminal has **TWO** pins which are **BOTH** electrically connected.

Fig.4 Three terminal snap-in



The 10 mm spacing of the 2 pin snap-in is used as the base layout and a third hole is added.

The third hole is closer to the negative primary hole so that polarization is always maintained, together with added mechanical stability.

Fig.5 Mounting hole diagram

Table 1

| DIMENSIONS in millimeters, MASS AND PACKAGING QUANTITIES | | | | |
|--|-------------------------------|-------------------|--------------------|--|
| NOMINAL CASE SIZE $\varnothing D \times L$ | $\varnothing D_{\text{max.}}$ | $L_{\text{max.}}$ | MASS (g) | PACKAGING QUANTITIES (units per box) |
| 22 x 25 | 23 | 27 | ≈ 12 | 100 |
| 22 x 30 | 23 | 32 | ≈ 16 | 100 |
| 22 x 35 | 23 | 37 | ≈ 20 | 100 |
| 22 x 40 | 23 | 42 | ≈ 23 | 100 |
| 25 x 25 | 26 | 27 | ≈ 20 | 100 |
| 25 x 30 | 26 | 32 | ≈ 22 | 100 |
| 25 x 35 | 26 | 37 | ≈ 24 | 100 |
| 25 x 40 | 26 | 42 | ≈ 27 | 100 |
| 25 x 45 | 26 | 47 | ≈ 32 | 100 |
| 25 x 50 | 26 | 52 | ≈ 38 | 100 |
| 30 x 25 | 31 | 27 | ≈ 25 | 100 |
| 30 x 30 | 31 | 32 | ≈ 30 | 100 |
| 30 x 35 | 31 | 37 | ≈ 35 | 100 |
| 30 x 40 | 31 | 42 | ≈ 40 | 100 |
| 30 x 45 | 31 | 47 | ≈ 45 | 100 |
| 30 x 50 | 31 | 52 | ≈ 50 | 100 |
| 35 x 25 | 36 | 27 | ≈ 33 | 50 |
| 35 x 30 | 36 | 32 | ≈ 40 | 50 |
| 35 x 35 | 36 | 37 | ≈ 48 | 50 |
| 35 x 40 | 36 | 42 | ≈ 55 | 50 |
| 35 x 45 | 36 | 47 | ≈ 63 | 50 |
| 35 x 50 | 36 | 52 | ≈ 72 | 50 |
| 35 x 60 | 36 | 62 | ≈ 82 | 50 |



| ELECTRICAL DATA | |
|-----------------|---|
| SYMBOL | DESCRIPTION |
| C_R | rated capacitance at 100/120 Hz |
| I_R | rated RMS ripple current at 120 Hz, 85 °C |
| I_{L5} | max. leakage current after 5 minutes at U_R |
| ESR | typ./max. equivalent series resistance at 100 Hz ⁽¹⁾ |
| Z | typ./max. impedance at 10 kHz |

Notes

- ⁽¹⁾ ESR at 120 Hz is approximately 0.95 x ESR 100 Hz
- Unless otherwise specified, all electrical values in Table 2 apply at $T_{amb} = 20\text{ °C}$, $P = 86\text{ to }106\text{ kPa}$, $RH = 45\text{ to }75\%$

ORDERING EXAMPLE

Electrolytic capacitor 157 series
1000 $\mu\text{F}/200\text{ V}$; $\pm 20\%$
Nominal case size: $\varnothing 30 \times 40\text{ mm}$
2-terminal snap-in:
Ordering code: MAL2 157 52102 E3
Former 12NC: 2222 157 52102
3-terminal snap-in:
Ordering code: MAL2 157 72102 E3
Former 12NC: 2222 157 72102

Table 2

| ELECTRICAL DATA AND ORDERING INFORMATION | | | | | | | | | | |
|--|--------------------------------------|--|---------------------------------|---------------------------|--|--|-----------------------------------|-----------------------------------|----------------------------------|---------|
| U_R (V) | C_R 100 Hz (μF) | NOMINAL CASE SIZE $\varnothing D \times L$ (mm) | I_R 120 Hz 85 °C (A) | I_{L5} 5 min (mA) | TYP. ESR 100 Hz ⁽¹⁾ (M Ω) | MAX. ESR 100 Hz ⁽¹⁾ (M Ω) | TYP. Z 10 kHz (M Ω) | MAX. Z 10 kHz (M Ω) | ORDERING CODE MAL2157..... | |
| | | | | | | | | | 2-TERM. | 3-TERM. |
| 200 | 270 | 22 x 25 | 1.15 | 0.54 | 550 | 880 | 420 | 700 | 52271E3 | 72271E3 |
| | 330 | 22 x 30 | 1.36 | 0.66 | 430 | 720 | 300 | 500 | 52331E3 | 72331E3 |
| | 390 | 22 x 30 | 1.46 | 0.78 | 390 | 650 | 295 | 490 | 52391E3 | 72391E3 |
| | 470 | 22 x 35 | 1.68 | 0.94 | 350 | 580 | 240 | 400 | 32471E3 | 12471E3 |
| | 470 | 25 x 30 | 1.67 | 0.94 | 350 | 580 | 240 | 400 | 52471E3 | 72471E3 |
| | 560 | 22 x 40 | 1.91 | 1.12 | 255 | 425 | 235 | 390 | 42561E3 | 22561E3 |
| | 560 | 25 x 35 | 1.91 | 1.12 | 255 | 425 | 235 | 390 | 32561E3 | 12561E3 |
| | 560 | 30 x 25 | 1.89 | 1.12 | 255 | 425 | 235 | 390 | 52561E3 | 72561E3 |
| | 680 | 25 x 40 | 2.18 | 1.36 | 210 | 350 | 205 | 340 | 42681E3 | 22681E3 |
| | 680 | 30 x 30 | 2.04 | 1.36 | 210 | 350 | 205 | 340 | 52681E3 | 72681E3 |
| | 680 | 35 x 25 | 2.06 | 1.36 | 210 | 350 | 205 | 340 | 62681E3 | 82681E3 |
| | 820 | 25 x 45 | 2.46 | 1.64 | 170 | 290 | 145 | 240 | 62821E3 | 82821E3 |
| | 820 | 30 x 35 | 2.35 | 1.64 | 170 | 290 | 145 | 240 | 32821E3 | 12821E3 |
| | 820 | 35 x 30 | 2.29 | 1.64 | 170 | 290 | 145 | 240 | 52821E3 | 72821E3 |
| | 1000 | 30 x 40 | 2.66 | 2.00 | 140 | 235 | 135 | 225 | 52102E3 | 72102E3 |
| | 1000 | 35 x 30 | 2.33 | 2.00 | 140 | 235 | 135 | 225 | 62102E3 | 82102E3 |
| | 1200 | 30 x 45 | 2.98 | 2.40 | 120 | 200 | 110 | 190 | 32122E3 | 12122E3 |
| | 1200 | 35 x 35 | 2.69 | 2.40 | 120 | 200 | 110 | 190 | 62122E3 | 82122E3 |
| | 1500 | 30 x 50 | 3.31 | 3.00 | 110 | 180 | 95 | 155 | 42152E3 | 22152E3 |
| | 1500 | 35 x 40 | 3.04 | 3.00 | 110 | 180 | 95 | 155 | 52152E3 | 72152E3 |
| 1800 | 35 x 45 | 3.36 | 3.60 | 100 | 160 | 80 | 130 | 42182E3 | 22182E3 | |
| 2200 | 35 x 50 | 3.68 | 4.40 | 90 | 150 | 65 | 105 | 52222E3 | 72222E3 | |
| 250 | 220 | 22 x 30 | 1.23 | 0.55 | 600 | 1080 | 420 | 700 | 53221E3 | 73221E3 |
| | 270 | 22 x 30 | 1.32 | 0.67 | 490 | 880 | 335 | 560 | 43271E3 | 23271E3 |
| | 270 | 25 x 25 | 1.23 | 0.67 | 490 | 880 | 335 | 560 | 53271E3 | 73271E3 |
| | 330 | 22 x 35 | 1.53 | 0.82 | 400 | 720 | 255 | 430 | 33331E3 | 13331E3 |
| | 330 | 25 x 30 | 1.56 | 0.82 | 400 | 720 | 255 | 430 | 53331E3 | 73331E3 |



| ELECTRICAL DATA AND ORDERING INFORMATION | | | | | | | | | | |
|--|----------------------------------|---|--|----------------------------------|---|---|--------------------------|--------------------------|----------------------------------|---------|
| U _R (V) | C _R 100 Hz (μF) | NOMINAL CASE SIZE Ø D x L (mm) | I _R 120 Hz 85 °C (A) | I _{L5} 5 min (mA) | TYP. ESR 100 Hz ⁽¹⁾ (MΩ) | MAX. ESR 100 Hz ⁽¹⁾ (MΩ) | TYP. Z 10 kHz (MΩ) | MAX. Z 10 kHz (MΩ) | ORDERING CODE MAL2157..... | |
| | | | | | | | | | 2-TERM. | 3-TERM. |
| 250 | 390 | 22 x 40 | 1.74 | 0.97 | 330 | 610 | 250 | 425 | 43391E3 | 23391E3 |
| | 390 | 30 x 25 | 1.58 | 0.97 | 330 | 610 | 250 | 425 | 53391E3 | 73391E3 |
| | 470 | 25 x 35 | 1.87 | 1.17 | 280 | 505 | 190 | 320 | 33471E3 | 13471E3 |
| | 470 | 30 x 30 | 1.89 | 1.17 | 280 | 505 | 190 | 320 | 53471E3 | 73471E3 |
| | 560 | 25 x 40 | 2.12 | 1.40 | 240 | 425 | 185 | 310 | 43561E3 | 23561E3 |
| | 560 | 30 x 30 | 1.97 | 1.40 | 240 | 425 | 185 | 310 | 53561E3 | 73561E3 |
| | 560 | 35 x 25 | 1.80 | 1.40 | 240 | 425 | 185 | 310 | 63561E3 | 83561E3 |
| | 680 | 25 x 45 | 2.29 | 1.70 | 200 | 350 | 155 | 260 | 63681E3 | 83681E3 |
| | 680 | 30 x 35 | 2.28 | 1.70 | 200 | 350 | 155 | 260 | 33681E3 | 13681E3 |
| | 680 | 35 x 30 | 2.20 | 1.70 | 200 | 350 | 155 | 260 | 53681E3 | 73681E3 |
| | 820 | 30 x 40 | 2.57 | 2.05 | 160 | 290 | 125 | 210 | 53821E3 | 73821E3 |
| | 820 | 35 x 35 | 2.54 | 2.05 | 160 | 290 | 125 | 210 | 63821E3 | 83821E3 |
| | 1000 | 30 x 45 | 2.88 | 2.50 | 140 | 235 | 105 | 180 | 33102E3 | 13102E3 |
| | 1000 | 35 x 40 | 2.86 | 2.50 | 140 | 235 | 105 | 180 | 53102E3 | 73102E3 |
| | 1200 | 35 x 45 | 3.17 | 3.00 | 120 | 200 | 95 | 160 | 43122E3 | 23122E3 |
| | 1500 | 35 x 50 | 3.49 | 3.75 | 90 | 160 | 85 | 140 | 53152E3 | 73152E3 |
| 400 | 68 | 22 x 25 | 0.71 | 0.27 | 1400 | 2800 | 1170 | 1950 | 56689E3 | 76689E3 |
| | 82 | 22 x 25 | 0.77 | 0.33 | 1250 | 2500 | 970 | 1620 | 56829E3 | 76829E3 |
| | 100 | 22 x 30 | 0.94 | 0.40 | 1125 | 2250 | 750 | 1220 | 56101E3 | 76101E3 |
| | 120 | 22 x 30 | 0.97 | 0.48 | 990 | 1980 | 700 | 1140 | 56121E3 | 76121E3 |
| | 150 | 22 x 35 | 1.13 | 0.60 | 750 | 1500 | 540 | 900 | 36151E3 | 16151E3 |
| | 150 | 25 x 30 | 1.16 | 0.60 | 750 | 1500 | 540 | 900 | 56151E3 | 76151E3 |
| | 180 | 22 x 40 | 1.29 | 0.72 | 630 | 1260 | 435 | 725 | 46181E3 | 26181E3 |
| | 180 | 25 x 35 | 1.35 | 0.72 | 630 | 1260 | 435 | 725 | 36181E3 | 16181E3 |
| | 220 | 25 x 40 | 1.54 | 0.88 | 520 | 1040 | 355 | 590 | 46221E3 | 26221E3 |
| | 220 | 30 x 30 | 1.50 | 0.88 | 520 | 1040 | 355 | 590 | 56221E3 | 76221E3 |
| | 220 | 35 x 25 | 1.42 | 0.88 | 520 | 1040 | 355 | 590 | 66221E3 | 86221E3 |
| | 270 | 25 x 45 | 1.72 | 1.08 | 430 | 860 | 335 | 560 | 66271E3 | 86271E3 |
| | 270 | 30 x 35 | 1.74 | 1.08 | 430 | 860 | 335 | 560 | 36271E3 | 16271E3 |
| | 270 | 35 x 30 | 1.71 | 1.08 | 430 | 860 | 335 | 560 | 56271E3 | 76271E3 |
| | 330 | 30 x 40 | 1.97 | 1.32 | 350 | 700 | 315 | 525 | 56331E3 | 76331E3 |
| | 330 | 35 x 30 | 1.76 | 1.32 | 350 | 700 | 315 | 525 | 66331E3 | 86331E3 |
| | 390 | 30 x 45 | 2.19 | 1.56 | 300 | 610 | 250 | 420 | 56391E3 | 76391E3 |
| | 390 | 35 x 35 | 2.04 | 1.56 | 300 | 610 | 250 | 420 | 36391E3 | 16391E3 |
| | 470 | 30 x 50 | 2.40 | 1.88 | 250 | 505 | 210 | 350 | 46471E3 | 26471E3 |
| | 470 | 35 x 40 | 2.30 | 1.88 | 250 | 505 | 210 | 350 | 56471E3 | 76471E3 |
| 560 | 35 x 45 | 2.55 | 2.24 | 210 | 425 | 180 | 305 | 46561E3 | 26561E3 | |
| 680 | 35 x 50 | 2.79 | 2.72 | 190 | 380 | 160 | 265 | 56681E3 | 76681E3 | |
| 820 | 35 x 60 | 3.33 | 3.28 | 155 | 315 | 115 | 215 | 56821E3 | 76821E3 | |

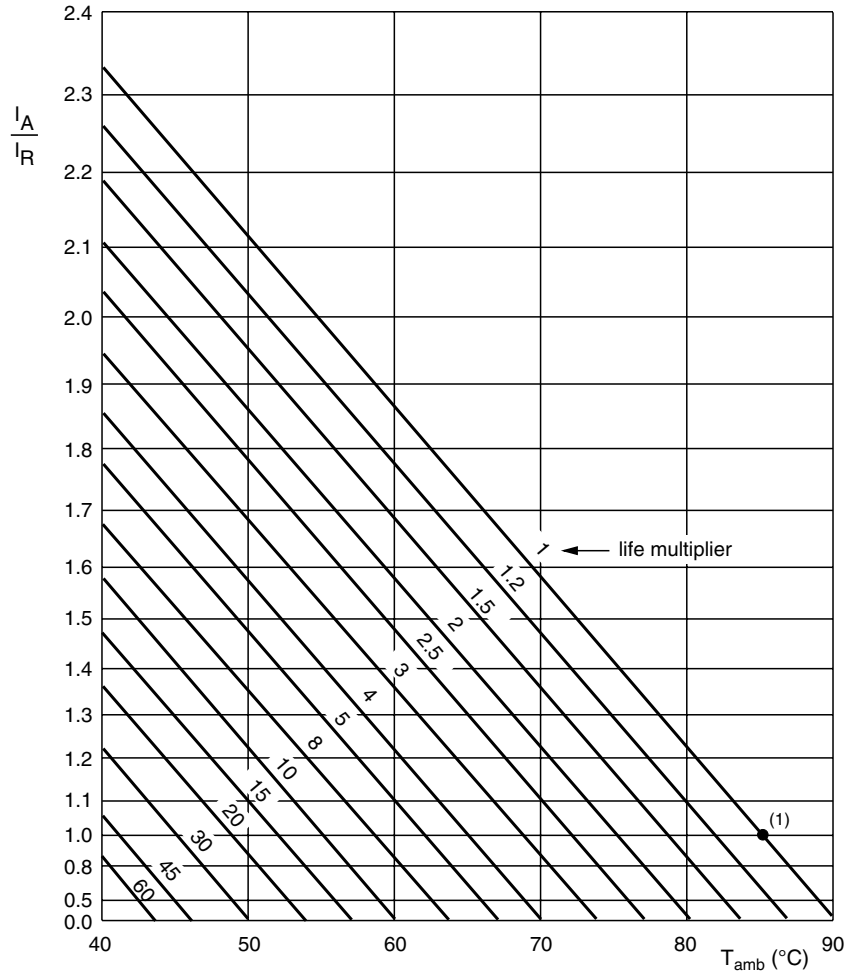
| ELECTRICAL DATA AND ORDERING INFORMATION | | | | | | | | | | |
|--|----------------------------------|---|--|----------------------------------|---|---|--------------------------|--------------------------|----------------------------------|---------|
| U _R (V) | C _R 100 Hz (μF) | NOMINAL CASE SIZE Ø D x L (mm) | I _R 120 Hz 85 °C (A) | I _{L5} 5 min (mA) | TYP. ESR 100 Hz ⁽¹⁾ (MΩ) | MAX. ESR 100 Hz ⁽¹⁾ (MΩ) | TYP. Z 10 kHz (MΩ) | MAX. Z 10 kHz (MΩ) | ORDERING CODE MAL2157..... | |
| | | | | | | | | | 2-TERM. | 3-TERM. |
| 450 | 56 | 22 x 25 | 0.68 | 0.25 | 1650 | 3300 | 1120 | 1880 | 57569E3 | 77569E3 |
| | 68 | 22 x 30 | 0.80 | 0.30 | 1400 | 2800 | 920 | 1530 | 57689E3 | 77689E3 |
| | 82 | 22 x 30 | 0.87 | 0.36 | 1200 | 2400 | 780 | 1290 | 47829E3 | 27829E3 |
| | 82 | 25 x 25 | 0.85 | 0.36 | 1200 | 2400 | 780 | 1290 | 57829E3 | 77829E3 |
| | 100 | 22 x 35 | 1.00 | 0.45 | 1000 | 2000 | 630 | 1050 | 37101E3 | 17101E3 |
| | 100 | 25 x 30 | 1.02 | 0.45 | 1000 | 2000 | 630 | 1050 | 57101E3 | 77101E3 |
| | 120 | 22 x 40 | 1.15 | 0.54 | 800 | 1600 | 530 | 885 | 47121E3 | 27121E3 |
| | 120 | 25 x 30 | 1.09 | 0.54 | 800 | 1600 | 530 | 885 | 57121E3 | 77121E3 |
| | 120 | 30 x 25 | 1.10 | 0.54 | 800 | 1600 | 530 | 885 | 67121E3 | 87121E3 |
| | 150 | 25 x 40 | 1.35 | 0.67 | 650 | 1300 | 420 | 705 | 47151E3 | 27151E3 |
| | 150 | 25 x 35 | 1.27 | 0.67 | 650 | 1300 | 420 | 705 | 67151E3 | 87151E3 |
| | 150 | 30 x 30 | 1.32 | 0.67 | 650 | 1300 | 420 | 705 | 57151E3 | 77151E3 |
| | 180 | 25 x 40 | 1.45 | 0.81 | 570 | 1150 | 360 | 605 | 47181E3 | 27181E3 |
| | 180 | 30 x 35 | 1.49 | 0.81 | 570 | 1150 | 360 | 605 | 57181E3 | 77181E3 |
| | 180 | 35 x 25 | 1.35 | 0.81 | 570 | 1150 | 360 | 605 | 67181E3 | 87181E3 |
| | 220 | 25 x 50 | 1.73 | 0.99 | 450 | 900 | 315 | 525 | 47221E3 | 27221E3 |
| | 220 | 30 x 40 | 1.72 | 0.99 | 450 | 900 | 315 | 525 | 57221E3 | 77221E3 |
| | 220 | 35 x 30 | 1.61 | 0.99 | 450 | 900 | 315 | 525 | 67221E3 | 87221E3 |
| | 270 | 30 x 45 | 1.95 | 1.21 | 380 | 770 | 270 | 450 | 37271E3 | 17271E3 |
| | 270 | 35 x 35 | 1.86 | 1.21 | 380 | 770 | 270 | 450 | 67271E3 | 87271E3 |
| 330 | 30 x 50 | 2.19 | 1.48 | 300 | 600 | 230 | 390 | 47331E3 | 27331E3 | |
| 330 | 35 x 40 | 2.10 | 1.48 | 300 | 600 | 230 | 390 | 57331E3 | 77331E3 | |
| 390 | 35 x 45 | 2.34 | 1.75 | 250 | 500 | 190 | 340 | 47391E3 | 27391E3 | |
| 470 | 35 x 50 | 2.60 | 2.11 | 210 | 420 | 170 | 290 | 57471E3 | 77471E3 | |
| 680 | 35 x 60 | 3.15 | 3.06 | 150 | 300 | 110 | 200 | 57681E3 | 77681E3 | |

Note⁽¹⁾ ESR at 120 Hz is approximately 0.95 x ESR 100 Hz

| ADDITIONAL ELECTRICAL DATA | | |
|------------------------------------|-----------------------------------|--|
| PARAMETER | CONDITIONS | VALUE |
| Voltage | | |
| Surge voltage | ≥ 400 V versions | U _s = 1.1 x U _R |
| | ≤ 250 V versions | U _s = 1.15 x U _R |
| Reverse voltage | | ≤ 1 V |
| Current | | |
| Leakage current | After 5 minutes at U _R | I _{L5} ≤ 0.01 C _R x U _R |
| Inductance | | |
| Equivalent series inductance (ESL) | All case sizes | typ. 19 nH |
| | | max. 25 nH |

RIPPLE CURRENT AND USEFUL LIFE

MGA453



I_A = actual ripple current at 120 Hz
 I_R = rated ripple current at 120 Hz and 85 °C
 (1) Useful life at 85 °C and I_R applied: 5000 hours

Fig.6 Multiplier of useful life as a function of ambient temperature and ripple current load

Table 3

| MULTIPLIER OF RIPPLE CURRENT (I_R) AS A FUNCTION OF FREQUENCY | |
|---|------------------|
| FREQUENCY (Hz) | I_R MULTIPLIER |
| 50 | 0.90 |
| 100 | 0.95 |
| 120 | 1.00 |
| 200 | 1.15 |
| 1000 | 1.30 |
| ≥ 10 000 | 1.40 |

Table 4

| TEST PROCEDURES AND REQUIREMENTS | | | |
|--|--|--|--|
| TEST | | PROCEDURE (quick reference) | REQUIREMENTS |
| NAME OF TEST | REFERENCE | | |
| Endurance | IEC 60384-4/ EN130300 subclause 4.13 | $T_{amb} = 85\text{ }^{\circ}\text{C}$; U_R applied; 3000 hours | $\Delta C/C: \pm 10\%$ $ESR \leq 2 \times \text{spec. limit}$ $I_{L5} \leq \text{spec. limit}$ |
| Load life | | $T_{amb} = 85\text{ }^{\circ}\text{C}$; U_R and I_R applied; 3000 hours | $\Delta C/C: \pm 20\%$ $ESR \leq 2 \times \text{spec. limit}$ $I_{L5} \leq \text{spec. limit}$ |
| Useful life | CECC 30301 subclause 1.8.1 | $T_{amb} = 85\text{ }^{\circ}\text{C}$; U_R and I_R applied; 5000 hours | $\Delta C/C: \pm 30\%$ $ESR \leq 3 \times \text{spec. limit}$ $I_{L5} \leq \text{spec. limit}$ no short or open circuit, no visible damage total failure percentage: $\leq 3\%$ |
| Shelf life (storage at high temperature) | IEC 60384-4/ EN130300 subclause 4.17 | $T_{amb} = 85\text{ }^{\circ}\text{C}$; no voltage applied; 1000 hours After test: U_R to be applied for 30 minutes, 24 hours to 48 hours before measurement | $\Delta C/C: \pm 15\%$ $ESR \leq 1.5 \times \text{spec. limit}$ $I_{L5} \leq 1 \times \text{spec. limit}$ |



Disclaimer

All product specifications and data are subject to change without notice.

Vishay Intertechnology, Inc., its affiliates, agents, and employees, and all persons acting on its or their behalf (collectively, "Vishay"), disclaim any and all liability for any errors, inaccuracies or incompleteness contained herein or in any other disclosure relating to any product.

Vishay disclaims any and all liability arising out of the use or application of any product described herein or of any information provided herein to the maximum extent permitted by law. The product specifications do not expand or otherwise modify Vishay's terms and conditions of purchase, including but not limited to the warranty expressed therein, which apply to these products.

No license, express or implied, by estoppel or otherwise, to any intellectual property rights is granted by this document or by any conduct of Vishay.

The products shown herein are not designed for use in medical, life-saving, or life-sustaining applications unless otherwise expressly indicated. Customers using or selling Vishay products not expressly indicated for use in such applications do so entirely at their own risk and agree to fully indemnify Vishay for any damages arising or resulting from such use or sale. Please contact authorized Vishay personnel to obtain written terms and conditions regarding products designed for such applications.

Product names and markings noted herein may be trademarks of their respective owners.