

**Cooper Bussmann**

- [Homepage](#)
- [About Cooper Bussmann](#)
- [Contact Us](#)
- [Privacy](#)
- [Legal](#)
- [Cooper Bussmann® Brand](#)
- [Site Map](#)

## GDA-5A

Fast Acting, 5 X 20 mm, Ceramic Tube Fuse

### Product Information

|                 |                 |
|-----------------|-----------------|
| Product Type:   | Fuse            |
| Product Family: | Electronic      |
| Brand:          | Cooper Bussmann |

### Recommended Products

|                               |                               |
|-------------------------------|-------------------------------|
| Rec. Fuse Block:              | <a href="#">HTC-15M</a>       |
| Rec. Inline Fuse Holder:      | <a href="#">HHT</a>           |
| Rec. Panel-mount Fuse Holder: | <a href="#">HTB Series</a>    |
| Rec. Fuse Clips:              | <a href="#">1A3399 Series</a> |

### Physical Properties

|             |                                      |
|-------------|--------------------------------------|
| Dimensions: | 0.79in. (L) × 0.19in. (W) × 0in. (H) |
|-------------|--------------------------------------|

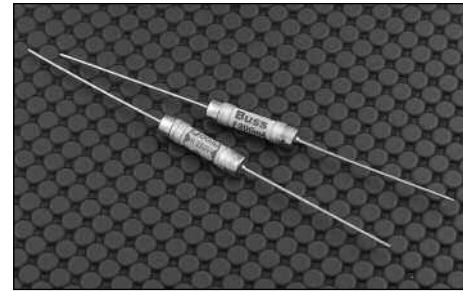
### Electrical Properties

|                          |  |
|--------------------------|--|
| Maximum AC Voltage:      | 250  |
| Amperage Rating:         | 5  |
| AC Interrupting Ratings: | <ul style="list-style-type: none"> <li>• 1500 at 250V</li> </ul> |
| Fast Acting:             | Yes  |

### Description

- Fast acting, high breaking capacity
- 5mm x 20mm physical size
- Ceramic tube, nickel brass endcap construction
- Optional axial leads are .032" x 1.5" copper tinned
- Designed to IEC 60127-2

| ELECTRICAL CHARACTERISTICS |        |        |        |       |      |        |       |
|----------------------------|--------|--------|--------|-------|------|--------|-------|
| In                         | 1.5 In |        | 2.1 In |       | 4 In |        | 10 In |
|                            | min    | max    | min    | max   | min  | max    | max   |
| 50mA-3.15A                 | 60 min | 30 min | 10 ms  | 2 sec | 3 ms | 300 ms | 20 ms |
| 4A-10A                     | 60 min | 30 min | 10 ms  | 3 sec | 3 ms | 300 ms | 20 ms |



### Ordering

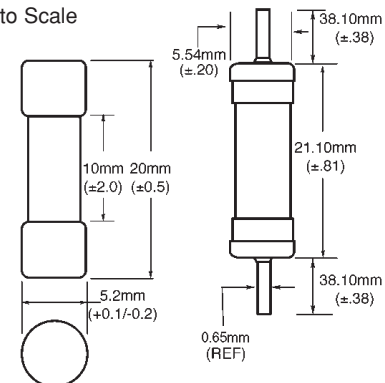
- Specify product code, option code and packaging code

### Agency Information

- UL Recognized Card: (50mA and 315mA-6.3A) Guide JDYX2, File E19180
- CSA Component Acceptance: File 53787
- Semko Approval 50mA, 200mA and 315mA-6.3A
- VDE Approval 1.25A-6.3A
- IMQ Approval 500mA, and 2.0A-6.3A

### Dimensions

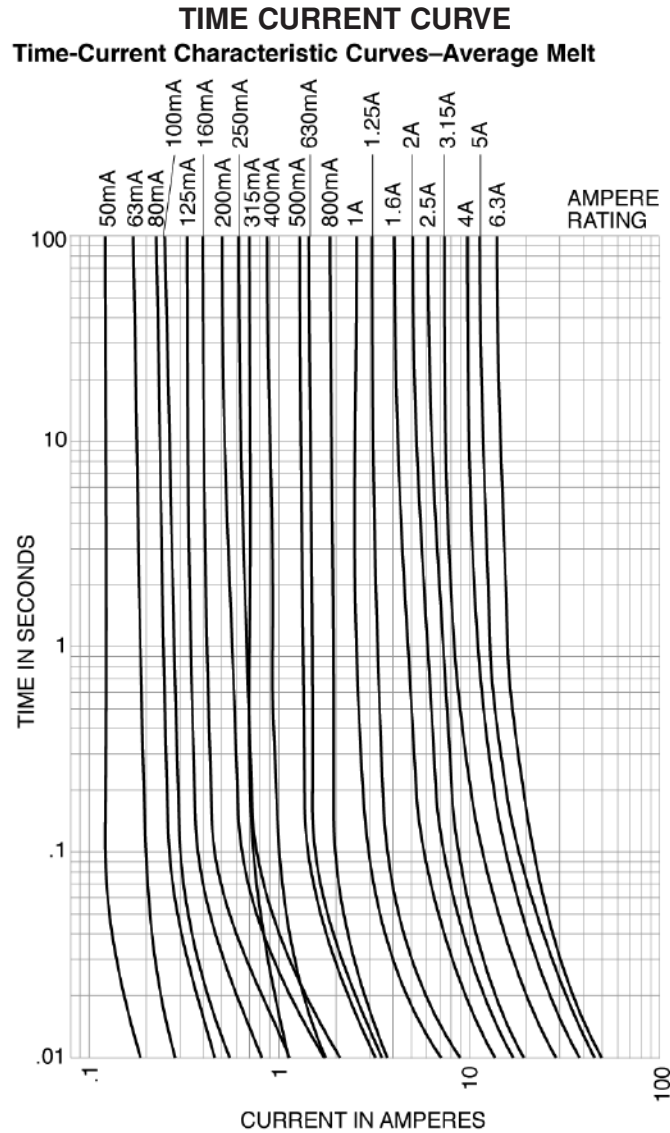
Drawing Not to Scale



- Ratings above 6.3A have a 0.8mm diameter lead
- With TR2 packaging code, lead wire length is 19.05mm

| SPECIFICATIONS |                      |  |   |                            |
|----------------|----------------------|--|---|----------------------------|
| Product Code   | Voltage Rating<br>AC | Interrupting Rating<br>at Rated Voltage (50Hz)<br>AC | Typical Melting I <sup>2</sup> t (A <sup>2</sup> Sec)<br>AC | Typical Voltage Drop (mV)‡ |
| GDA-50mA       | 250V                 | 1500A  | 0.0017  | 9000                       |
| GDA-63mA       | 250V                 | 1500A  | 0.0005  | 3300                       |
| GDA-80mA       | 250V                 | 1500A  | 0.0011  | 2600                       |
| GDA-100mA      | 250V                 | 1500A  | 0.0018  | 2300                       |
| GDA-125mA      | 250V                 | 1500A  | 0.0037  | 1900                       |
| GDA-160mA      | 250V                 | 1500A  | 0.008   | 1600                       |
| GDA-200mA      | 250V                 | 1500A  | 0.020   | 1350                       |
| GDA-250mA      | 250V                 | 1500A  | 0.027   | 1300                       |
| GDA-315mA      | 250V                 | 1500A  | 0.010   | 1400                       |
| GDA-400mA      | 250V                 | 1500A  | 0.018   | 1200                       |
| GDA-500mA      | 250V                 | 1500A  | 0.038   | 1050                       |
| GDA-630mA      | 250V                 | 1500A  | 0.064   | 1200                       |
| GDA-800mA      | 250V                 | 1500A  | 0.097   | 490                        |
| GDA-1A         | 250V                 | 1500A  | 0.480   | 230                        |
| GDA-1.25A      | 250V                 | 1500A  | 0.9   | 200                        |
| GDA-1.6A       | 250V                 | 1500A  | 1.9   | 180                        |
| GDA-2A         | 250V                 | 1500A  | 2.0   | 205                        |
| GDA-2.5A       | 250V                 | 1500A  | 3.9   | 190                        |
| GDA-3.15A      | 250V                 | 1500A  | 8.1   | 160                        |
| GDA-4A         | 250V                 | 1500A  | 14  | 160                        |
| GDA-5A         | 250V                 | 1500A  | 25  | 155                        |
| GDA-6.3A       | 250V                 | 1500A  | 48  | 150                        |

‡ Typical Voltage Drop (Voltage drop was measured at 20°C ambient temperature at rated current)



| <b>OPTION CODE</b> |  |
|--------------------|--|
| Option Code        | Description  |
| V                  | Axial leads - copper tinned wire with nickel plated brass overcaps |

| <b>PACKAGING CODE</b> |   |
|-----------------------|---|
| Packaging Code        | Description   |
| BK                    | 100 pieces of fuses packed into a cardboard carton                          |
| BK1                   | 1,000 pieces of fuses packed into a poly bag                                |
| TR2                   | 1,500 pieces of fuses packed into tape on a reel (19.05mm lead wire length) |