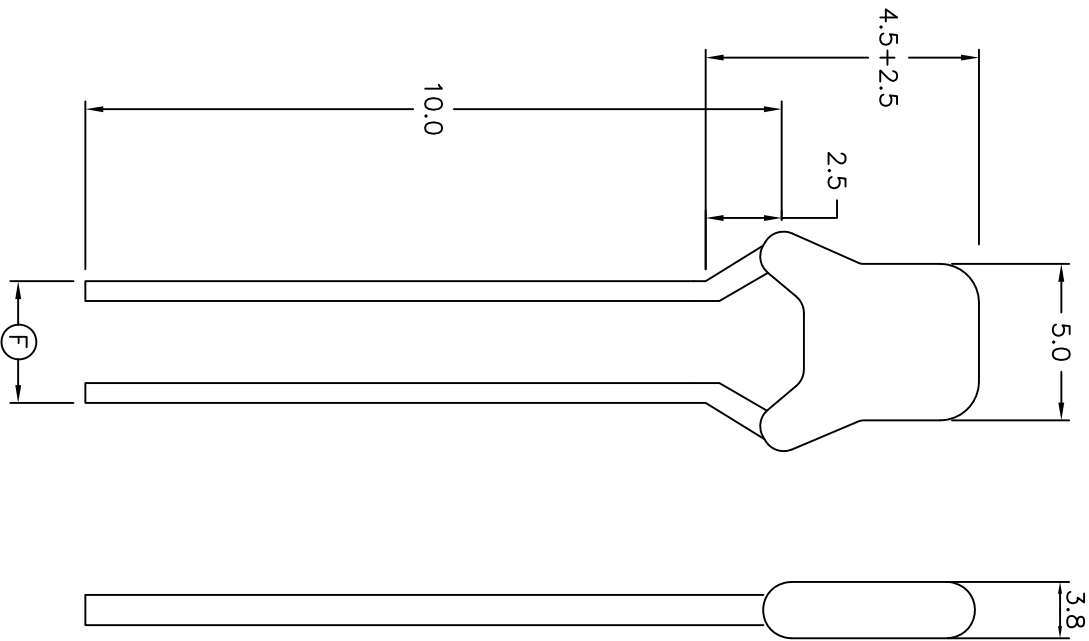


ALL RIGHTS RESERVED. NO PORTION OF THIS PUBLICATION, WHETHER IN WHOLE OR IN PART CAN BE REPRODUCED WITHOUT THE EXPRESS WRITTEN CONSENT OF SPC TECHNOLOGY.

SPC-F005.DWG

REVISIONS		DOC. NO.	SPC-F005	Effective:	7/8/02	DCP No.:	1398	
DCP #	REV	DESCRIPTION	DRAWN	DATE	CHECKD	DATE	APPRD	DATE
2025	A	RELEASED	JN	02-06-09	JWM	02-06-09	JWM	02-06-09
2090	B	UPDATE DRAWING	JYC	2/22/10				



- Features:**
- For General Purpose
 - Capacitor Dielectric Material: Multilayer Ceramic
 - Termination: Radial Leaded
 - Lead Pitch: 2.54 and 5.08
 - Voltage Rating: 50 VDC

Manufacturers part number	Capacitance	Capacitance Tolerance	Lead Pitch (F)	Sell UOM	Sell QOM
MC1206N392J500A5.08MM	3900 pF	±5%	5.08 mm	Ea.	1
MC1206N392J500A5.08MM	3900 pF	±5%	5.08 mm	Ammo Pack	2500
MC1206N682J500A5.08MM	6800 pF	±5%	5.08 mm	Ea.	1
MC1206N682J500A5.08MM	6800 pF	±5%	5.08 mm	Ammo Pack	2500
MC1206N822J500A5.08MM	8200 pF	±5%	5.08 mm	Ea.	1
MC1206N822J500A5.08MM	8200 pF	±5%	5.08 mm	Ammo Pack	2500
MC1206N472J500A2.54MM	4700 pF	±5%	2.54 mm	Ea.	1
MC1206N472J500A2.54MM	4700 pF	±5%	2.54 mm	Ammo Pack	2500

DISCLAIMER:
ALL STATEMENTS AND TECHNICAL INFORMATION CONTAINED HEREIN ARE BASED UPON INFORMATION AND/OR TESTS WE BELIEVE TO BE ACCURATE AND RELIABLE. SINCE CONDITIONS OF USE ARE BEYOND OUR CONTROL, THE USER SHALL DETERMINE THE SUITABILITY OF THE PRODUCT FOR THE INTENDED USE AND ASSUME ALL RISK AND LIABILITY WHATSOEVER IN CONNECTION THEREWITH.

TOLERANCES:
UNLESS OTHERWISE SPECIFIED, DIMENSIONS ARE FOR REFERENCE PURPOSES ONLY.

DRAWN BY:	JN	DATE:	02-06-09
CHECKED BY:	JWM	DATE:	02-06-09
APPROVED BY:	JWM	DATE:	02-06-09

DRAWING TITLE:	Multilayer Ceramic Capacitor		
SIZE	DWG. NO.	ELECTRONIC FILE	REV
A	Ta-1074	Ta-1074.dwg	A
SCALE:	NTS	U.O.M.: MILLIMETER	SHEET: 1 OF 1