



ALL RIGHTS RESERVED. NO PORTION OF THIS PUBLICATION, WHETHER IN WHOLE OR IN PART CAN BE REPRODUCED WITHOUT THE EXPRESS WRITTEN CONSENT OF SPC TECHNOLOGY.

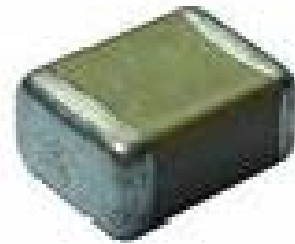
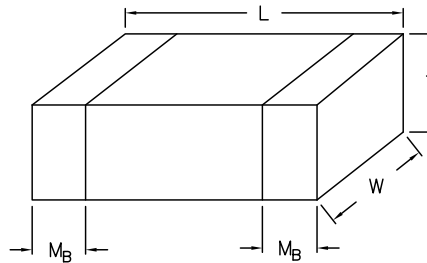
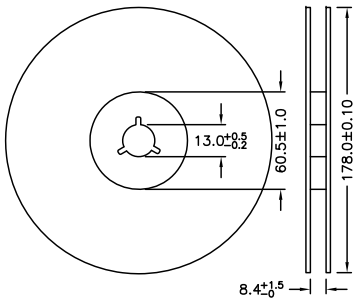
SPC-F005.DWG

REVISIONS

DOC. NO. SPC-F005 * Effective: 7/8/02 * DCP No: 1398

DCP #	REV	DESCRIPTION	DRAWN	DATE	CHECKD	DATE	APPRVD	DATE
2032	A	Released	JN	03/05/09	JWM	03/05/09	JWM	03/05/09
2050	B	Additional Parts Added	JN	06/01/09	JN	06/01/09	JN	06/01/09

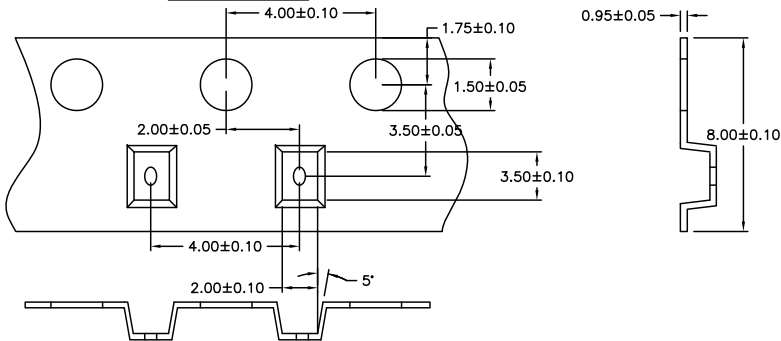
Tape & Reel Dimension



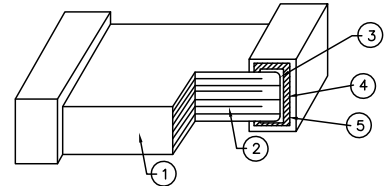
Capacitor Dimension

L (mm)	W (mm)	T (mm)	M _B
3.20±0.15	1.60±0.15	0.95±0.10	0.60±0.20

Plastic Tape



NO.	Name	NPO/X7R	X7R/X5R/Y5V
1	Ceramic material	BaTiO ₃ based	
2	Inner electrode	AgPd alloy	Ni
3	Inner layer	Ag	Cu
4	Termination	Middle layer	Ni
5	Outer layer	Sn (Matt)	



DISCLAIMER: ALL STATEMENTS AND TECHNICAL INFORMATION CONTAINED HEREIN ARE BASED UPON INFORMATION AND/OR TESTS WE BELIEVE TO BE ACCURATE AND RELIABLE. SINCE CONDITIONS OF USE ARE BEYOND OUR CONTROL, THE USER SHALL DETERMINE THE SUITABILITY OF THE PRODUCT FOR THE INTENDED USE AND ASSUME ALL RISK AND LIABILITY WHATSOEVER IN CONNECTION THEREWITH.

TOLERANCES: UNLESS OTHERWISE SPECIFIED, DIMENSIONS ARE FOR REFERENCE PURPOSES ONLY.

DRAWN BY:	DATE:
Jason Nash	03/05/09
CHECKED BY:	DATE:
Jeff McVicker	03/05/09
APPROVED BY:	DATE:
Jeff McVicker	03/05/09

DRAWING TITLE: High Voltage, Multilayer Ceramic Capacitors

SIZE	DWG. NO.	ELECTRONIC FILE	REV
A	Ta-1110	Ta-1110.dwg	B
SCALE:	U.O.M.: INCHES [mm]	SHEET: 1 OF 3	
NTS			

Manufacturers part number	Sell Unit of Measure	Reel Quantity	Capacitance	Capacitance Tolerance	Dielectric Characteristic	Package/Case	Voltage Rating
MC1206B153K201CT	TC		0.015 μ F	\pm 10%	X7R	1206	200 VDC
MC1206B153K201CT	TR	3000	0.015 μ F	\pm 10%	X7R	1206	200 VDC
MC1206B153M201CT	TC		0.015 μ F	\pm 20%	X7R	1206	200 VDC
MC1206B223K201CT	TC		0.022 μ F	\pm 10%	X7R	1206	200 VDC
MC1206B223K201CT	TR	3000	0.022 μ F	\pm 10%	X7R	1206	200 VDC
MC1206B223M201CT	TC		0.022 μ F	\pm 20%	X7R	1206	200 VDC
MC1206N102J201CT	TC		1000 pF	\pm 5%	NP0	1206	200 VDC
MC1206N102J201CT	TR	3000	1000 pF	\pm 5%	NP0	1206	200 VDC
MC1206B103K631CT	TC		0.01 μ F	\pm 10%	X7R	1206	630 VDC
MC1206B103K631CT	TR	3000	0.01 μ F	\pm 10%	X7R	1206	630 VDC
MC1206B103M631CT	TC		0.01 μ F	\pm 20%	X7R	1206	630 VDC
MC1206N101J631CT	TC		100 pF	\pm 5%	NP0	1206	630 VDC
MC1206N101K631CT	TC		100 pF	\pm 10%	NP0	1206	630 VDC
MC1206B102K631CT	TR	3000	1000 pF	\pm 10%	X7R	1206	630 VDC
MC1206B102M631CT	TC		1000 pF	\pm 20%	X7R	1206	630 VDC
MC1206B222K631CT	TC		2200 pF	\pm 10%	X7R	1206	630 VDC
MC1206B222K631CT	TR	3000	2200 pF	\pm 10%	X7R	1206	630 VDC
MC1206B222M631CT	TC		2200 pF	\pm 20%	X7R	1206	630 VDC
MC1206B472K631CT	TC		4700 pF	\pm 10%	X7R	1206	630 VDC
MC1206B472K631CT	TR	3000	4700 pF	\pm 10%	X7R	1206	630 VDC
MC1206B472M631CT	TC		4700 pF	\pm 20%	X7R	1206	630 VDC

ALL RIGHTS RESERVED. NO PORTION OF THIS PUBLICATION, WHETHER IN WHOLE OR IN PART CAN BE REPRODUCED WITHOUT THE EXPRESS WRITTEN CONSENT OF SPC TECHNOLOGY.

SIZE DWG. NO.

A

Ta-1110

ELECTRONIC FILE

Ta-1110.DWG

REV

B

SPC-F005.DWG

DOC. NO. SPC-F005 * Effective: 7/8/02 * DCP No: 1398

SCALE: NTS

U.O.M.: Millimeters

SHEET: 2 OF 3

Manufacturers part number	Sell Unit of Measure	Reel Quantity	Capacitance	Capacitance Tolerance	Dielectric Characteristic	Package/Case	Voltage Rating
MC1206N102K201CT	TC		1000 pF	± 10%	NP0	1206	200 VDC
MC1206N471J201CT	TC		470 pF	± 5%	NP0	1206	200 VDC
MC1206N471J201CT	TR	3000	470 pF	± 5%	NP0	1206	200 VDC
MC1206N471K201CT	TC		470 pF	± 10%	NP0	1206	200 VDC
MC1206N681J201CT	TC		680 pF	± 5%	NP0	1206	200 VDC
MC1206N681J201CT	TR	3000	680 pF	± 5%	NP0	1206	200 VDC
MC1206N681K201CT	TC		680 pF	± 10%	NP0	1206	200 VDC
MC1206N102J631CT	TC		1000 pF	± 5%	NP0	1206	630 VDC
MC1206N102K631CT	TC		1000 pF	± 10%	NP0	1206	630 VDC
MC1206N221J631CT	TC		220 pF	± 5%	NP0	1206	630 VDC
MC1206N221K631CT	TC		220 pF	± 10%	NP0	1206	630 VDC
MC1206N471J631CT	TC		470 pF	± 5%	NP0	1206	630 VDC
MC1206N471K631CT	TC		470 pF	± 10%	NP0	1206	630 VDC
MC1206N681J631CT	TC		680 pF	± 5%	NP0	1206	630 VDC
MC1206N681K631CT	TC		680 pF	± 10%	NP0	1206	630 VDC

ALL RIGHTS RESERVED. NO PORTION OF THIS PUBLICATION, WHETHER IN WHOLE OR IN PART CAN BE REPRODUCED WITHOUT THE EXPRESS WRITTEN CONSENT OF SPC TECHNOLOGY.

SIZE DWG. NO.

A

Ta-1110

ELECTRONIC FILE

Ta-1110.DWG

REV

B

SPC-F005.DWG

DOC. NO. SPC-F005 * Effective: 7/8/02 * DCP No: 1398

SCALE: NTS

U.O.M.: Millimeters

SHEET: 3 OF 3