



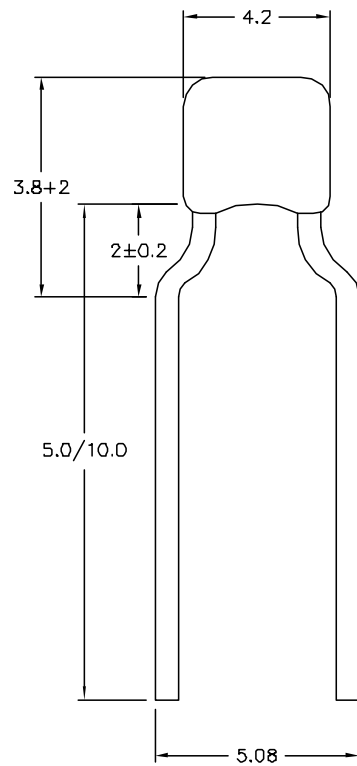
ALL RIGHTS RESERVED. NO PORTION OF THIS PUBLICATION, WHETHER IN WHOLE OR IN PART, CAN BE REPRODUCED WITHOUT THE EXPRESS WRITTEN CONSENT OF SPC TECHNOLOGY.

SPC-F005.DWG

REVISIONS

DOC. NO. SPC-F005 * Effective: 7/8/02 * DCP No: 1308

DCP #	REV	DESCRIPTION	DRAWN	DATE	CHECKD	DATE	APPRVD	DATE
2025	A	RELEASED	JN	02-06-09	JWM	02-06-09	JWM	02-06-09



Features:

- For General Purpose
- Capacitor Dielectric Material: Multilayer Ceramic
- Termination: Radial Leaded
- Lead Pitch: 2.54

DISCLAIMER:
ALL STATEMENTS AND TECHNICAL INFORMATION CONTAINED HEREIN ARE BASED UPON INFORMATION AND/OR TESTS WE BELIEVE TO BE ACCURATE AND RELIABLE. SINCE CONDITIONS OF USE ARE BEYOND OUR CONTROL, THE USER SHALL DETERMINE THE SUITABILITY OF THE PRODUCT FOR THE INTENDED USE AND ASSUME ALL RISK AND LIABILITY WHATSOEVER IN CONNECTION THEREWITH.

TOLERANCES:
UNLESS OTHERWISE SPECIFIED, DIMENSIONS ARE FOR REFERENCE PURPOSES ONLY.

DRAWN BY:	DATE:
JN	02-06-09
CHECKED BY:	DATE:
JWM	02-06-09
APPROVED BY:	DATE:
JWM	02-06-09

DRAWING TITLE:			
Multilayer Ceramic Capacitor			
SIZE	DWG. NO.	ELECTRONIC FILE	REV
A	Ta-1073	Ta-1073.dwg	A
SCALE:	NTS	U.Q.M.: MILLIMETER	SHEET: 1 OF 3

Manufacturers part number	Capacitance	Capacitance Tolerance	Sell UOM	Sell QOM	Voltage Rating
MC0805B102K500A5.08MM	1000 pF		Ea.	1	50 VDC
MC0805B102K500A5.08MM	1000 pF	±10%	Ammo Pack	2500	50 VDC
MC0805B103K500A5.08MM	0.01 µF	±10%	Ea.	1	50 VDC
MC0805B103K500A5.08MM	0.01 µF	±10%	Ammo Pack	2500	50 VDC
MC0805B104K500A5.08MM	0.1 µF	±10%	Ea.	1	50 VDC
MC0805B104K500A5.08MM	0.1 µF	±10%	Ammo Pack	2500	50 VDC
MC0805B152K500A5.08MM	1500 pF	±10%	Ea.	1	50 VDC
MC0805B152K500A5.08MM	1500 pF	±10%	Ammo Pack	2500	50 VDC
MC0805B153K500A5.08MM	0.015 µF	±10%	Ea.	1	50 VDC
MC0805B153K500A5.08MM	0.015 µF	±10%	Ammo Pack	2500	50 VDC
MC0805B221K500A5.08MM	220 pF	±10%	Ea.	1	50 VDC
MC0805B221K500A5.08MM	220 pF	±10%	Ammo Pack	2500	50 VDC
MC0805B222K500A5.08MM	2200 pF	±10%	Ea.	1	50 VDC
MC0805B222K500A5.08MM	2200 pF	±10%	Ammo Pack	2500	50 VDC
MC0805B223K500A5.08MM	0.022 µF	±10%	Ea.	1	50 VDC
MC0805B223K500A5.08MM	0.022 µF	±10%	Ammo Pack	2500	50 VDC
MC0805B224K500A5.08MM	0.22 µF	±10%	Ea.	1	50 VDC
MC0805B224K500A5.08MM	0.22 µF	±10%	Ammo Pack	2500	50 VDC
MC0805B331K500A5.08MM	330 pF	±10%	Ea.	1	50 VDC
MC0805B331K500A5.08MM	330 pF	±10%	Ammo Pack	2500	50 VDC
MC0805B332K500A5.08MM	3300 pF	±10%	Ea.	1	50 VDC
MC0805B332K500A5.08MM	3300 pF	±10%	Ammo Pack	2500	50 VDC
MC0805B333K500A5.08MM	0.033 µF	±10%	Ea.	1	50 VDC
MC0805B333K500A5.08MM	0.033 µF	±10%	Ammo Pack	2500	50 VDC
MC0805B334K500A5.08MM	0.33 µF	±10%	Ea.	1	50 VDC
MC0805B334K500A5.08MM	0.33 µF	±10%	Ammo Pack	2500	50 VDC
MC0805B471K500A5.08MM	470 pF	±10%	Ea.	1	50 VDC
MC0805B471K500A5.08MM	470 pF	±10%	Ammo Pack	2500	50 VDC
MC0805B472K500A5.08MM	4700 pF	±10%	Ea.	1	50 VDC
MC0805B472K500A5.08MM	4700 pF	±10%	Ammo Pack	2500	50 VDC
MC0805B473K500A5.08MM	0.047 µF	±10%	Ea.	1	50 VDC
MC0805B473K500A5.08MM	0.047 µF	±10%	Ammo Pack	2500	50 VDC

Manufacturers part number	Capacitance	Capacitance Tolerance	Sell UOM	Sell QOM	Voltage Rating
MC0805B474K500A5.08MM	0.47 µF		Ea.	1	50 VDC
MC0805B474K500A5.08MM	0.47 µF	±10%	Ammo Pack	2500	50 VDC
MC0805B681K500A5.08MM	680 pF	±10%	Ea.	1	50 VDC
MC0805B681K500A5.08MM	680 pF	±10%	Ammo Pack	2500	50 VDC
MC0805B682K500A5.08MM	6800 pF	±10%	Ea.	1	50 VDC
MC0805B682K500A5.08MM	6800 pF	±10%	Ammo Pack	2500	50 VDC
MC0805B683K500A5.08MM	0.068 µF	±10%	Ea.	1	50 VDC
MC0805B683K500A5.08MM	0.068 µF	±10%	Ammo Pack	2500	50 VDC
MC0805N100J500A5.08MM	10 pF	±5%	Ea.	1	50 VDC
MC0805N100J500A5.08MM	10 pF	±5%	Ammo Pack	2500	50 VDC
MC0805N101J500A5.08MM	100 pF	±5%	Ea.	1	50 VDC
MC0805N101J500A5.08MM	100 pF	±5%	Ammo Pack	2500	50 VDC
MC0805N102J500A5.08MM	1000 pF	±5%	Ea.	1	50 VDC
MC0805N102J500A5.08MM	1000 pF	±5%	Ammo Pack	2500	50 VDC
MC0805N103J500A5.08MM	0.01 µF	±5%	Ea.	1	50 VDC
MC0805N103J500A5.08MM	0.01 µF	±5%	Ammo Pack	2500	50 VDC
MC0805N120J500A5.08MM	12 pF	±5%	Ea.	1	50 VDC
MC0805N120J500A5.08MM	12 pF	±5%	Ammo Pack	2500	50 VDC
MC0805N121J500A5.08MM	120 pF	±5%	Ea.	1	50 VDC
MC0805N121J500A5.08MM	120 pF	±5%	Ammo Pack	2500	50 VDC
MC0805N122J500A5.08MM	1200 pF	±5%	Ea.	1	50 VDC
MC0805N122J500A5.08MM	1200 pF	±5%	Ammo Pack	2500	50 VDC
MC0805N150J500A5.08MM	15 pF	±5%	Ea.	1	50 VDC
MC0805N150J500A5.08MM	15 pF	±5%	Ammo Pack	2500	50 VDC
MC0805N151J500A5.08MM	150 pF	±5%	Ea.	1	50 VDC
MC0805N151J500A5.08MM	150 pF	±5%	Ammo Pack	2500	50 VDC
MC0805N152J500A5.08MM	1500 pF	±5%	Ea.	1	50 VDC
MC0805N152J500A5.08MM	1500 pF	±5%	Ammo Pack	2500	50 VDC
MC0805N180J500A5.08MM	18 pF	±5%	Ea.	1	50 VDC
MC0805N180J500A5.08MM	18 pF	±5%	Ammo Pack	2500	50 VDC
MC0805N181J500A5.08MM	180 pF	±5%	Ea.	1	50 VDC
MC0805N181J500A5.08MM	180 pF	±5%	Ammo Pack	2500	50 VDC
MC0805N182J500A5.08MM	1800 pF	±5%	Ea.	1	50 VDC
MC0805N182J500A5.08MM	1800 pF	±5%	Ammo Pack	2500	50 VDC

ALL RIGHTS RESERVED. NO PORTION OF THIS PUBLICATION, WHETHER IN WHOLE OR IN PART CAN BE REPRODUCED WITHOUT THE EXPRESS WRITTEN CONSENT OF SPC TECHNOLOGY.

SIZE DWG. NO.

A

Ta-1073

ELECTRONIC FILE

Ta-1073.dwg

REV

A

SPC-F005.DWG

DOC. NO. SPC-F005 • Effective: 7/8/02 • DCP No: 1388

SCALE: NTS

U.O.M.: Millimeters

SHEET: 2 OF 3

Manufacturers part number	Capacitance	Capacitance Tolerance	Sell UOM	Sell QOM	Voltage Rating
MC0805N1R0C500A5.08MM	1 pF	±0.25pF	Ea.	1	50 VDC
MC0805N1R0C500A5.08MM	1 pF	±0.25pF	Ammo Pack	2500	50 VDC
MC0805N220J500A5.08MM	22 pF	±5%	Ea.	1	50 VDC
MC0805N220J500A5.08MM	22 pF	±5%	Ammo Pack	2500	50 VDC
MC0805N221J500A5.08MM	220 pF	±5%	Ea.	1	50 VDC
MC0805N221J500A5.08MM	220 pF	±5%	Ammo Pack	2500	50 VDC
MC0805N222J500A5.08MM	2200 pF	±5%	Ea.	1	50 VDC
MC0805N222J500A5.08MM	2200 pF	±5%	Ammo Pack	2500	50 VDC
MC0805N270J500A5.08MM	27 pF	±5%	Ea.	1	50 VDC
MC0805N270J500A5.08MM	27 pF	±5%	Ammo Pack	2500	50 VDC
MC0805N271J500A5.08MM	270 pF	±5%	Ea.	1	50 VDC
MC0805N271J500A5.08MM	270 pF	±5%	Ammo Pack	2500	50 VDC
MC0805N272J500A5.08MM	2700 pF	±5%	Ea.	1	50 VDC
MC0805N272J500A5.08MM	2700 pF	±5%	Ammo Pack	2500	50 VDC
MC0805N2R0C500A5.08MM	2 pF	±0.25pF	Ea.	1	50 VDC
MC0805N2R0C500A5.08MM	2 pF	±0.25pF	Ammo Pack	2500	50 VDC
MC0805N330J500A5.08MM	33 pF	±5%	Ea.	1	50 VDC
MC0805N330J500A5.08MM	33 pF	±5%	Ammo Pack	2500	50 VDC
MC0805N331J500A5.08MM	330 pF	±5%	Ea.	1	50 VDC
MC0805N331J500A5.08MM	330 pF	±5%	Ammo Pack	2500	50 VDC
MC0805N332J500A5.08MM	3300 pF	±5%	Ea.	1	50 VDC
MC0805N332J500A5.08MM	3300 pF	±5%	Ammo Pack	2500	50 VDC
MC0805N390J500A5.08MM	39 pF	±5%	Ea.	1	50 VDC
MC0805N390J500A5.08MM	39 pF	±5%	Ammo Pack	2500	50 VDC
MC0805N391J500A5.08MM	390 pF	±5%	Ea.	1	50 VDC
MC0805N391J500A5.08MM	390 pF	±5%	Ammo Pack	2500	50 VDC
MC0805N3R0C500A5.08MM	3 pF	±0.25pF	Ea.	1	50 VDC
MC0805N3R0C500A5.08MM	3 pF	±0.25pF	Ammo Pack	2500	50 VDC
MC0805N470J500A5.08MM	47 pF	±5%	Ea.	1	50 VDC
MC0805N470J500A5.08MM	47 pF	±5%	Ammo Pack	2500	50 VDC
MC0805N471J500A5.08MM	470 pF	±5%	Ea.	1	50 VDC
MC0805N471J500A5.08MM	470 pF	±5%	Ammo Pack	2500	50 VDC
MC0805N4R0C500A5.08MM	4 pF	±0.25pF	Ea.	1	50 VDC
MC0805N4R0C500A5.08MM	4 pF	±0.25pF	Ammo Pack	2500	50 VDC

Manufacturers part number	Capacitance	Capacitance Tolerance	Sell UOM	Sell QOM	Voltage Rating
MC0805N560J500A5.08MM	56 pF	±5%	Ea.	1	50 VDC
MC0805N560J500A5.08MM	56 pF	±5%	Ammo Pack	2500	50 VDC
MC0805N561J500A5.08MM	560 pF	±5%	Ea.	1	50 VDC
MC0805N561J500A5.08MM	560 pF	±5%	Ammo Pack	2500	50 VDC
MC0805N562J500A5.08MM	5600 pF	±5%	Ea.	1	50 VDC
MC0805N562J500A5.08MM	5600 pF	±5%	Ammo Pack	2500	50 VDC
MC0805N5R0C500A5.08MM	5 pF	±0.25pF	Ea.	1	50 VDC
MC0805N5R0C500A5.08MM	5 pF	±0.25pF	Ammo Pack	2500	50 VDC
MC0805N680J500A5.08MM	68 pF	±5%	Ea.	1	50 VDC
MC0805N680J500A5.08MM	68 pF	±5%	Ammo Pack	2500	50 VDC
MC0805N681J500A5.08MM	680 pF	±5%	Ea.	1	50 VDC
MC0805N681J500A5.08MM	680 pF	±5%	Ammo Pack	2500	50 VDC
MC0805N6R0D500A5.08MM	6 pF	±0.5pF	Ea.	1	50 VDC
MC0805N6R0D500A5.08MM	6 pF	±0.5pF	Ammo Pack	2500	50 VDC
MC0805N7R0D500A5.08MM	7 pF	±0.5pF	Ea.	1	50 VDC
MC0805N7R0D500A5.08MM	7 pF	±0.5pF	Ammo Pack	2500	50 VDC
MC0805N820J500A5.08MM	82 pF	±5%	Ea.	1	50 VDC
MC0805N820J500A5.08MM	82 pF	±5%	Ammo Pack	2500	50 VDC
MC0805N821J500A5.08MM	820 pF	±5%	Ea.	1	50 VDC
MC0805N821J500A5.08MM	820 pF	±5%	Ammo Pack	2500	50 VDC
MC0805N8R0D500A5.08MM	8 pF	±0.5pF	Ea.	1	50 VDC
MC0805N8R0D500A5.08MM	8 pF	±0.5pF	Ammo Pack	2500	50 VDC
MC0805Y103M500A5.08MM	0.01 µF	±20%	Ea.	1	50 VDC
MC0805Y103M500A5.08MM	0.01 µF	±20%	Ammo Pack	2500	50 VDC
MC0805Y104Z500A5.08MM	0.1 µF	+80, -20%	Ea.	1	50 VDC
MC0805Y104Z500A5.08MM	0.1 µF	+80, -20%	Ammo Pack	2500	50 VDC
MC0805Y223M500A5.08MM	0.022 µF	±20%	Ea.	1	50 VDC
MC0805Y223M500A5.08MM	0.022 µF	±20%	Ammo Pack	2500	50 VDC
MC0805Y224Z500A5.08MM	0.22 µF	+80, -20%	Ea.	1	50 VDC
MC0805Y224Z500A5.08MM	0.22 µF	+80, -20%	Ammo Pack	2500	50 VDC
MC0805Y473M500A5.08MM	0.047 µF	±20%	Ea.	1	50 VDC
MC0805Y473M500A5.08MM	0.047 µF	±20%	Ammo Pack	2500	50 VDC
MC0805Y474Z500A5.08MM	0.47 µF	+80, -20%	Ea.	1	50 VDC
MC0805Y474Z500A5.08MM	0.47 µF	+80, -20%	Ammo Pack	2500	50 VDC
MC1206N392J500A5.08MM	3900 pF	±5%	Ea.	1	50 VDC
MC1206N392J500A5.08MM	3900 pF	±5%	Ammo Pack	2500	50 VDC
MC1206N682J500A5.08MM	6800 pF	±5%	Ea.	1	50 VDC
MC1206N682J500A5.08MM	6800 pF	±5%	Ammo Pack	2500	50 VDC
MC1206N822J500A5.08MM	8200 pF	±5%	Ea.	1	50 VDC
MC1206N822J500A5.08MM	8200 pF	±5%	Ammo Pack	2500	50 VDC

ALL RIGHTS RESERVED. NO PORTION OF THIS PUBLICATION, WHETHER IN WHOLE OR IN PART CAN BE REPRODUCED WITHOUT THE EXPRESS WRITTEN CONSENT OF SPC TECHNOLOGY.

SIZE
A

DWG. NO.

Ta-1073

ELECTRONIC FILE

Ta-1073.dwg

REV
A

SPC-F005.DWG

DOC. NO. SPC-F005 • Effective: 7/8/02 • DCP No: 1388

SCALE: NTS

U.Q.M.: Millimeters

SHEET: 3 OF 3