



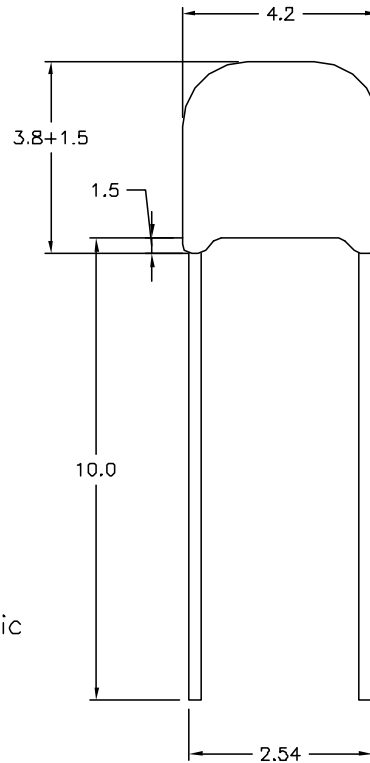
ALL RIGHTS RESERVED. NO PORTION OF THIS PUBLICATION, WHETHER IN WHOLE OR IN PART, CAN BE REPRODUCED WITHOUT THE EXPRESS WRITTEN CONSENT OF SPC TECHNOLOGY.

SPC-F005.DWG

REVISIONS

DOC. NO. SPC-F005 * Effective: 7/8/02 * DCP No: 1308

DCP #	REV	DESCRIPTION	DRAWN	DATE	CHECKD	DATE	APPRVD	DATE
2025	A	RELEASED	JN	02-06-09	JWM	02-06-09	JWM	02-06-09



Features:

- For General Purpose
- Capacitor Dielectric Material: Multilayer Ceramic
- Termination: Radial Leaded
- Lead Pitch: 2.54

DISCLAIMER:
ALL STATEMENTS AND TECHNICAL INFORMATION CONTAINED HEREIN ARE BASED UPON INFORMATION AND/OR TESTS WE BELIEVE TO BE ACCURATE AND RELIABLE. SINCE CONDITIONS OF USE ARE BEYOND OUR CONTROL, THE USER SHALL DETERMINE THE SUITABILITY OF THE PRODUCT FOR THE INTENDED USE AND ASSUME ALL RISK AND LIABILITY WHATSOEVER IN CONNECTION THEREWITH.

TOLERANCES:
UNLESS OTHERWISE SPECIFIED, DIMENSIONS ARE FOR REFERENCE PURPOSES ONLY.

DRAWN BY:	DATE:
JN	02-06-09
CHECKED BY:	DATE:
JWM	02-06-09
APPROVED BY:	DATE:
JWM	02-06-09

DRAWING TITLE:			
Multilayer Ceramic Capacitor			
SIZE	DWG. NO.	ELECTRONIC FILE	REV
A	Ta-1072	Ta-1072.dwg	A
SCALE: NTS		U.Q.M.: MILLIMETER	SHEET: 1 OF 5

Manufacturers part number	Capacitance	Capacitance Tolerance	Sell UOM	Sell QOM	Voltage Rating
MC0805B102K101A2.54MM	1000 pF	±10%	Ea.	1	100 VDC
MC0805B102K101A2.54MM	1000 pF	±10%	Ammo Pack	2500	100 VDC
MC0805B102K500A2.54MM	1000 pF	±10%	Ea.	1	50 VDC
MC0805B102K500A2.54MM	1000 pF	±10%	Ammo Pack	2500	50 VDC
MC0805B103K500A2.54MM	0.01 µF	±10%	Ea.	1	50 VDC
MC0805B103K500A2.54MM	0.01 µF	±10%	Ammo Pack	2500	50 VDC
MC0805B104K500A2.54MM	0.1 µF	±10%	Ea.	1	50 VDC
MC0805B104K500A2.54MM	0.1 µF	±10%	Ammo Pack	2500	50 VDC
MC0805B122K101A2.54MM	1200 pF	±10%	Ea.	1	100 VDC
MC0805B122K101A2.54MM	1200 pF	±10%	Ammo Pack	2500	100 VDC
MC0805B122K500A2.54MM	1200 pF	±10%	Ea.	1	50 VDC
MC0805B122K500A2.54MM	1200 pF	±10%	Ammo Pack	2500	50 VDC
MC0805B123K101A2.54MM	0.012 µF	±10%	Ea.	1	100 VDC
MC0805B123K101A2.54MM	0.012 µF	±10%	Ammo Pack	2500	100 VDC
MC0805B152K101A2.54MM	1500 pF	±10%	Ea.	1	100 VDC
MC0805B152K101A2.54MM	1500 pF	±10%	Ammo Pack	2500	100 VDC
MC0805B152K500A2.54MM	1500 pF	±10%	Ea.	1	50 VDC
MC0805B152K500A2.54MM	1500 pF	±10%	Ammo Pack	2500	50 VDC
MC0805B153K500A2.54MM	0.015 µF	±10%	Ea.	1	50 VDC
MC0805B153K500A2.54MM	0.015 µF	±10%	Ammo Pack	2500	50 VDC
MC0805B182K101A2.54MM	1800 pF	±10%	Ea.	1	100 VDC
MC0805B182K101A2.54MM	1800 pF	±10%	Ammo Pack	2500	100 VDC
MC0805B182K500A2.54MM	1800 pF	±10%	Ea.	1	50 VDC
MC0805B182K500A2.54MM	1800 pF	±10%	Ammo Pack	2500	50 VDC
MC0805B183K500A2.54MM	0.018 µF	±10%	Ea.	1	50 VDC
MC0805B183K500A2.54MM	0.018 µF	±10%	Ammo Pack	2500	50 VDC
MC0805B221K101A2.54MM	220 pF	±10%	Ea.	1	100 VDC
MC0805B221K101A2.54MM	220 pF	±10%	Ammo Pack	2500	100 VDC
MC0805B221K500A2.54MM	220 pF	±10%	Ea.	1	50 VDC
MC0805B221K500A2.54MM	220 pF	±10%	Ammo Pack	2500	50 VDC
MC0805B222K101A2.54MM	2200 pF	±10%	Ea.	1	100 VDC
MC0805B222K101A2.54MM	2200 pF	±10%	Ammo Pack	2500	100 VDC
MC0805B222K500A2.54MM	2200 pF	±10%	Ea.	1	50 VDC
MC0805B222K500A2.54MM	2200 pF	±10%	Ammo Pack	2500	50 VDC
MC0805B223K500A2.54MM	0.022 µF	±10%	Ea.	1	50 VDC
MC0805B223K500A2.54MM	0.022 µF	±10%	Ammo Pack	2500	50 VDC
MC0805B271K101A2.54MM	270 pF	±10%	Ea.	1	100 VDC
MC0805B271K101A2.54MM	270 pF	±10%	Ammo Pack	2500	100 VDC
MC0805B272K101A2.54MM	2700 pF	±10%	Ea.	1	100 VDC
MC0805B272K101A2.54MM	2700 pF	±10%	Ammo Pack	2500	100 VDC

Manufacturers part number	Capacitance	Capacitance Tolerance	Sell UOM	Sell QOM	Voltage Rating
MC0805B272K500A2.54MM	2700 pF	±10%	Ea.	1	50 VDC
MC0805B272K500A2.54MM	2700 pF	±10%	Ammo Pack	2500	50 VDC
MC0805B331K101A2.54MM	330 pF	±10%	Ea.	1	100 VDC
MC0805B331K101A2.54MM	330 pF	±10%	Ammo Pack	2500	100 VDC
MC0805B331K500A2.54MM	330 pF	±10%	Ea.	1	50 VDC
MC0805B331K500A2.54MM	330 pF	±10%	Ammo Pack	2500	50 VDC
MC0805B332K101A2.54MM	3300 pF	±10%	Ea.	1	100 VDC
MC0805B332K101A2.54MM	3300 pF	±10%	Ammo Pack	2500	100 VDC
MC0805B332K500A2.54MM	3300 pF	±10%	Ea.	1	50 VDC
MC0805B332K500A2.54MM	3300 pF	±10%	Ammo Pack	2500	50 VDC
MC0805B333K500A2.54MM	0.033 µF	±10%	Ea.	1	50 VDC
MC0805B333K500A2.54MM	0.033 µF	±10%	Ammo Pack	2500	50 VDC
MC0805B391K500A2.54MM	390 pF	±10%	Ea.	1	50 VDC
MC0805B391K500A2.54MM	390 pF	±10%	Ammo Pack	2500	50 VDC
MC0805B392K500A2.54MM	3900 pF	±10%	Ea.	1	50 VDC
MC0805B392K500A2.54MM	3900 pF	±10%	Ammo Pack	2500	50 VDC
MC0805B471K101A2.54MM	470 pF	±10%	Ea.	1	100 VDC
MC0805B471K101A2.54MM	470 pF	±10%	Ammo Pack	2500	100 VDC
MC0805B471K500A2.54MM	470 pF	±10%	Ea.	1	50 VDC
MC0805B471K500A2.54MM	470 pF	±10%	Ammo Pack	2500	50 VDC
MC0805B472K101A2.54MM	4700 pF	±10%	Ea.	1	100 VDC
MC0805B472K101A2.54MM	4700 pF	±10%	Ammo Pack	2500	100 VDC
MC0805B472K500A2.54MM	4700 pF	±10%	Ea.	1	50 VDC
MC0805B472K500A2.54MM	4700 pF	±10%	Ammo Pack	2500	50 VDC
MC0805B473K500A2.54MM	0.047 µF	±10%	Ea.	1	50 VDC
MC0805B473K500A2.54MM	0.047 µF	±10%	Ammo Pack	2500	50 VDC
MC0805B561K500A2.54MM	560 pF	±10%	Ea.	1	50 VDC
MC0805B561K500A2.54MM	560 pF	±10%	Ammo Pack	2500	50 VDC
MC0805B562K101A2.54MM	5600 pF	±10%	Ea.	1	100 VDC
MC0805B562K101A2.54MM	5600 pF	±10%	Ammo Pack	2500	100 VDC
MC0805B562K500A2.54MM	5600 pF	±10%	Ea.	1	50 VDC
MC0805B562K500A2.54MM	5600 pF	±10%	Ammo Pack	2500	50 VDC
MC0805B563K500A2.54MM	0.056 µF	±10%	Ea.	1	50 VDC
MC0805B563K500A2.54MM	0.056 µF	±10%	Ammo Pack	2500	50 VDC
MC0805B681K101A2.54MM	680 pF	±10%	Ea.	1	100 VDC
MC0805B681K101A2.54MM	680 pF	±10%	Ammo Pack	2500	100 VDC
MC0805B681K500A2.54MM	680 pF	±10%	Ea.	1	50 VDC
MC0805B681K500A2.54MM	680 pF	±10%	Ammo Pack	2500	50 VDC
MC0805B682K500A2.54MM	6800 pF	±10%	Ea.	1	50 VDC
MC0805B682K500A2.54MM	6800 pF	±10%	Ammo Pack	2500	50 VDC
MC0805B683K500A2.54MM	0.068 µF	±10%	Ea.	1	50 VDC

ALL RIGHTS RESERVED. NO PORTION OF THIS PUBLICATION, WHETHER IN WHOLE OR IN PART CAN BE REPRODUCED WITHOUT THE EXPRESS WRITTEN CONSENT OF SPC TECHNOLOGY.

SIZE DWG. NO.

A

Ta-1072

ELECTRONIC FILE

Ta-1072.dwg

REV

A

SPC-F005.DWG

DOC. NO. SPC-F005 * Effective: 7/8/02 * DCP No: 1388

SCALE: NTS

U.O.M.: Millimeters

SHEET: 2 OF 5

Manufacturers part number	Capacitance	Capacitance Tolerance	Sell UOM	Sell QOM	Voltage Rating
MC0805B683K500A2.54MM	0.068 µF	±10%	Ammo Pack	2500	50 VDC
MC0805B821K101A2.54MM	820 pF	±10%	Ea.	1	100 VDC
MC0805B821K101A2.54MM	820 pF	±10%	Ammo Pack	2500	100 VDC
MC0805B821K500A2.54MM	820 pF	±10%	Ea.	1	50 VDC
MC0805B821K500A2.54MM	820 pF	±10%	Ammo Pack	2500	50 VDC
MC0805B822K101A2.54MM	8200 pF	±10%	Ea.	1	100 VDC
MC0805B822K101A2.54MM	8200 pF	±10%	Ammo Pack	2500	100 VDC
MC0805N100J101A2.54MM	10 pF	±5%	Ea.	1	100 VDC
MC0805N100J101A2.54MM	10 pF	±5%	Ammo Pack	2500	100 VDC
MC0805N100J500A2.54MM	10 pF	±5%	Ea.	1	50 VDC
MC0805N100J500A2.54MM	10 pF	±5%	Ammo Pack	2500	50 VDC
MC0805N101J101A2.54MM	100 pF	±5%	Ea.	1	100 VDC
MC0805N101J101A2.54MM	100 pF	±5%	Ammo Pack	2500	100 VDC
MC0805N101J500A2.54MM	100 pF	±5%	Ea.	1	50 VDC
MC0805N101J500A2.54MM	100 pF	±5%	Ammo Pack	2500	50 VDC
MC0805N102J101A2.54MM	1000 pF	±5%	Ea.	1	100 VDC
MC0805N102J101A2.54MM	1000 pF	±5%	Ammo Pack	2500	100 VDC
MC0805N102J500A2.54MM	1000 pF	±5%	Ea.	1	50 VDC
MC0805N102J500A2.54MM	1000 pF	±5%	Ammo Pack	2500	50 VDC
MC0805N110J101A2.54MM	11 pF	±5%	Ammo Pack	2500	100 VDC
MC0805N120J101A2.54MM	12 pF	±5%	Ea.	1	100 VDC
MC0805N120J101A2.54MM	12 pF	±5%	Ammo Pack	2500	100 VDC
MC0805N120J500A2.54MM	12 pF	±5%	Ea.	1	50 VDC
MC0805N120J500A2.54MM	12 pF	±5%	Ammo Pack	2500	50 VDC
MC0805N121J101A2.54MM	120 pF	±5%	Ea.	1	100 VDC
MC0805N121J101A2.54MM	120 pF	±5%	Ammo Pack	2500	100 VDC
MC0805N121J500A2.54MM	120 pF	±5%	Ea.	1	50 VDC
MC0805N121J500A2.54MM	120 pF	±5%	Ammo Pack	2500	50 VDC
MC0805N122J500A2.54MM	1200 pF	±5%	Ea.	1	50 VDC
MC0805N122J500A2.54MM	1200 pF	±5%	Ammo Pack	2500	50 VDC
MC0805N130J101A2.54MM	13 pF	±5%	Ea.	1	100 VDC
MC0805N130J101A2.54MM	13 pF	±5%	Ammo Pack	2500	100 VDC
MC0805N130J500A2.54MM	13 pF	±5%	Ea.	1	50 VDC
MC0805N130J500A2.54MM	13 pF	±5%	Ammo Pack	2500	50 VDC
MC0805N150J101A2.54MM	15 pF	±5%	Ea.	1	100 VDC
MC0805N150J101A2.54MM	15 pF	±5%	Ammo Pack	2500	100 VDC
MC0805N150J500A2.54MM	15 pF	±5%	Ea.	1	50 VDC
MC0805N150J500A2.54MM	15 pF	±5%	Ammo Pack	2500	50 VDC
MC0805N151J101A2.54MM	150 pF	±5%	Ea.	1	100 VDC

Manufacturers part number	Capacitance	Capacitance Tolerance	Sell UOM	Sell QOM	Voltage Rating
MC0805N151J101A2.54MM	150 pF	±5%	Ammo Pack	2500	100 VDC
MC0805N151J500A2.54MM	150 pF	±5%	Ea.	1	50 VDC
MC0805N151J500A2.54MM	150 pF	±5%	Ammo Pack	2500	50 VDC
MC0805N152J500A2.54MM	1500 pF	±5%	Ea.	1	50 VDC
MC0805N152J500A2.54MM	1500 pF	±5%	Ammo Pack	2500	50 VDC
MC0805N160J101A2.54MM	16 pF	±5%	Ea.	1	100 VDC
MC0805N160J101A2.54MM	16 pF	±5%	Ammo Pack	2500	100 VDC
MC0805N180J101A2.54MM	18 pF	±5%	Ea.	1	100 VDC
MC0805N180J101A2.54MM	18 pF	±5%	Ammo Pack	2500	100 VDC
MC0805N180J500A2.54MM	18 pF	±5%	Ea.	1	50 VDC
MC0805N180J500A2.54MM	18 pF	±5%	Ammo Pack	2500	50 VDC
MC0805N181J101A2.54MM	180 pF	±5%	Ea.	1	100 VDC
MC0805N181J101A2.54MM	180 pF	±5%	Ammo Pack	2500	100 VDC
MC0805N181J500A2.54MM	180 pF	±5%	Ea.	1	50 VDC
MC0805N181J500A2.54MM	180 pF	±5%	Ammo Pack	2500	50 VDC
MC0805N182J500A2.54MM	1800 pF	±5%	Ea.	1	50 VDC
MC0805N182J500A2.54MM	1800 pF	±5%	Ammo Pack	2500	50 VDC
MC0805N1R0C101A2.54MM	1 pF	±0.25pF	Ea.	1	100 VDC
MC0805N1R0C101A2.54MM	1 pF	±0.25pF	Ammo Pack	2500	100 VDC
MC0805N1R0C500A2.54MM	1 pF	±0.25pF	Ea.	1	50 VDC
MC0805N1R0C500A2.54MM	1 pF	±0.25pF	Ammo Pack	2500	50 VDC
MC0805N1R2C101A2.54MM	1.2 pF	±0.25pF	Ea.	1	100 VDC
MC0805N1R2C101A2.54MM	1.2 pF	±0.25pF	Ammo Pack	2500	100 VDC
MC0805N1R2C500A2.54MM	1.2 pF	±0.25pF	Ea.	1	50 VDC
MC0805N1R2C500A2.54MM	1.2 pF	±0.25pF	Ammo Pack	2500	50 VDC
MC0805N1R5C101A2.54MM	1.5 pF	±0.25pF	Ea.	1	100 VDC
MC0805N1R5C101A2.54MM	1.5 pF	±0.25pF	Ammo Pack	2500	100 VDC
MC0805N1R5C500A2.54MM	1.5 pF	±0.25pF	Ea.	1	50 VDC
MC0805N1R5C500A2.54MM	1.5 pF	±0.25pF	Ammo Pack	2500	50 VDC
MC0805N1R8C101A2.54MM	1.8 pF	±0.25pF	Ea.	1	100 VDC
MC0805N1R8C101A2.54MM	1.8 pF	±0.25pF	Ammo Pack	2500	100 VDC
MC0805N200J101A2.54MM	20 pF	±5%	Ea.	1	100 VDC
MC0805N200J101A2.54MM	20 pF	±5%	Ammo Pack	2500	100 VDC
MC0805N200J500A2.54MM	20 pF	±5%	Ea.	1	50 VDC
MC0805N200J500A2.54MM	20 pF	±5%	Ammo Pack	2500	50 VDC
MC0805N201J101A2.54MM	200 pF	±5%	Ea.	1	100 VDC
MC0805N201J101A2.54MM	200 pF	±5%	Ammo Pack	2500	100 VDC
MC0805N220J101A2.54MM	22 pF	±5%	Ea.	1	100 VDC
MC0805N220J101A2.54MM	22 pF	±5%	Ammo Pack	2500	100 VDC
MC0805N220J500A2.54MM	22 pF	±5%	Ea.	1	50 VDC

ALL RIGHTS RESERVED. NO PORTION OF THIS PUBLICATION, WHETHER IN WHOLE OR IN PART CAN BE REPRODUCED WITHOUT THE EXPRESS WRITTEN CONSENT OF SPC TECHNOLOGY.

SIZE DWG. NO.

A Ta-1072

ELECTRONIC FILE

Ta-1072.dwg

REV

A

SPC-F005.DWG

DOC. NO. SPC-F005 • Effective: 7/8/02 • DCP No: 1388

SCALE: NTS

U.Q.M.: Millimeters

SHEET: 3 OF 5

Manufacturers part number	Capacitance	Capacitance Tolerance	Sell UOM	Sell QOM	Voltage Rating
MC0805N220J500A2.54MM	22 pF	±5%	Ammo Pack	2500	50 VDC
MC0805N221J101A2.54MM	220 pF	±5%	Ea.	1	100 VDC
MC0805N221J101A2.54MM	220 pF	±5%	Ammo Pack	2500	100 VDC
MC0805N221J500A2.54MM	220 pF	±5%	Ea.	1	50 VDC
MC0805N221J500A2.54MM	220 pF	±5%	Ammo Pack	2500	50 VDC
MC0805N222J500A2.54MM	2200 pF	±5%	Ea.	1	50 VDC
MC0805N222J500A2.54MM	2200 pF	±5%	Ammo Pack	2500	50 VDC
MC0805N240J101A2.54MM	24 pF	±5%	Ea.	1	100 VDC
MC0805N240J101A2.54MM	24 pF	±5%	Ammo Pack	2500	100 VDC
MC0805N240J500A2.54MM	24 pF	±5%	Ea.	1	50 VDC
MC0805N240J500A2.54MM	24 pF	±5%	Ammo Pack	2500	50 VDC
MC0805N270J101A2.54MM	27 pF	±5%	Ea.	1	100 VDC
MC0805N270J101A2.54MM	27 pF	±5%	Ammo Pack	2500	100 VDC
MC0805N270J500A2.54MM	27 pF	±5%	Ea.	1	50 VDC
MC0805N270J500A2.54MM	27 pF	±5%	Ammo Pack	2500	50 VDC
MC0805N271J101A2.54MM	270 pF	±5%	Ea.	1	100 VDC
MC0805N271J101A2.54MM	270 pF	±5%	Ammo Pack	2500	100 VDC
MC0805N271J500A2.54MM	270 pF	±5%	Ea.	1	50 VDC
MC0805N271J500A2.54MM	270 pF	±5%	Ammo Pack	2500	50 VDC
MC0805N2R0C101A2.54MM	2 pF	±0.25pF	Ea.	1	100 VDC
MC0805N2R0C101A2.54MM	2 pF	±0.25pF	Ammo Pack	2500	100 VDC
MC0805N2R0C500A2.54MM	2 pF	±0.25pF	Ea.	1	50 VDC
MC0805N2R0C500A2.54MM	2 pF	±0.25pF	Ammo Pack	2500	50 VDC
MC0805N2R2C101A2.54MM	2.2 pF	±0.25pF	Ea.	1	100 VDC
MC0805N2R2C101A2.54MM	2.2 pF	±0.25pF	Ammo Pack	2500	100 VDC
MC0805N2R2C500A2.54MM	2.2 pF	±0.25pF	Ea.	1	50 VDC
MC0805N2R2C500A2.54MM	2.2 pF	±0.25pF	Ammo Pack	2500	50 VDC
MC0805N2R7C101A2.54MM	2.7 pF	±0.25pF	Ea.	1	100 VDC
MC0805N2R7C101A2.54MM	2.7 pF	±0.25pF	Ammo Pack	2500	100 VDC
MC0805N2R7C500A2.54MM	2.7 pF	±0.25pF	Ea.	1	50 VDC
MC0805N2R7C500A2.54MM	2.7 pF	±0.25pF	Ammo Pack	2500	50 VDC
MC0805N300J101A2.54MM	30 pF	±5%	Ea.	1	100 VDC
MC0805N300J101A2.54MM	30 pF	±5%	Ammo Pack	2500	100 VDC
MC0805N300J500A2.54MM	30 pF	±5%	Ea.	1	50 VDC
MC0805N300J500A2.54MM	30 pF	±5%	Ammo Pack	2500	50 VDC
MC0805N301J101A2.54MM	300 pF	±5%	Ea.	1	100 VDC
MC0805N301J101A2.54MM	300 pF	±5%	Ammo Pack	2500	100 VDC
MC0805N301J500A2.54MM	300 pF	±5%	Ea.	1	50 VDC
MC0805N301J500A2.54MM	300 pF	±5%	Ammo Pack	2500	50 VDC
MC0805N330J101A2.54MM	33 pF	±5%	Ea.	1	100 VDC

Manufacturers part number	Capacitance	Capacitance Tolerance	Sell UOM	Sell QOM	Voltage Rating
MC0805N330J101A2.54MM	33 pF	±5%	Ammo Pack	2500	100 VDC
MC0805N330J500A2.54MM	33 pF	±5%	Ea.	1	50 VDC
MC0805N330J500A2.54MM	33 pF	±5%	Ammo Pack	2500	50 VDC
MC0805N331J101A2.54MM	330 pF	±5%	Ea.	1	100 VDC
MC0805N331J101A2.54MM	330 pF	±5%	Ammo Pack	2500	100 VDC
MC0805N331J500A2.54MM	330 pF	±5%	Ea.	1	50 VDC
MC0805N331J500A2.54MM	330 pF	±5%	Ammo Pack	2500	50 VDC
MC0805N361J500A2.54MM	360 pF	±5%	Ea.	1	50 VDC
MC0805N361J500A2.54MM	360 pF	±5%	Ammo Pack	2500	50 VDC
MC0805N390J101A2.54MM	39 pF	±5%	Ea.	1	100 VDC
MC0805N390J101A2.54MM	39 pF	±5%	Ammo Pack	2500	100 VDC
MC0805N390J500A2.54MM	39 pF	±5%	Ea.	1	50 VDC
MC0805N390J500A2.54MM	39 pF	±5%	Ammo Pack	2500	50 VDC
MC0805N391J101A2.54MM	390 pF	±5%	Ea.	1	100 VDC
MC0805N391J101A2.54MM	390 pF	±5%	Ammo Pack	2500	100 VDC
MC0805N391J500A2.54MM	390 pF	±5%	Ea.	1	50 VDC
MC0805N391J500A2.54MM	390 pF	±5%	Ammo Pack	2500	50 VDC
MC0805N3R0C101A2.54MM	3 pF	±0.25pF	Ea.	1	100 VDC
MC0805N3R0C101A2.54MM	3 pF	±0.25pF	Ammo Pack	2500	100 VDC
MC0805N3R0C500A2.54MM	3 pF	±0.25pF	Ea.	1	50 VDC
MC0805N3R0C500A2.54MM	3 pF	±0.25pF	Ammo Pack	2500	50 VDC
MC0805N3R3C101A2.54MM	3.3 pF	±0.25pF	Ea.	1	100 VDC
MC0805N3R3C101A2.54MM	3.3 pF	±0.25pF	Ammo Pack	2500	100 VDC
MC0805N3R3C500A2.54MM	3.3 pF	±0.25pF	Ea.	1	50 VDC
MC0805N3R3C500A2.54MM	3.3 pF	±0.25pF	Ammo Pack	2500	50 VDC
MC0805N3R6C101A2.54MM	3.6 pF	±0.25pF	Ea.	1	100 VDC
MC0805N3R6C101A2.54MM	3.6 pF	±0.25pF	Ammo Pack	2500	100 VDC
MC0805N3R9C101A2.54MM	3.9 pF	±0.25pF	Ea.	1	100 VDC
MC0805N3R9C101A2.54MM	3.9 pF	±0.25pF	Ammo Pack	2500	100 VDC
MC0805N3R9C500A2.54MM	3.9 pF	±0.25pF	Ea.	1	50 VDC
MC0805N3R9C500A2.54MM	3.9 pF	±0.25pF	Ammo Pack	2500	50 VDC
MC0805N430J101A2.54MM	43 pF	±5%	Ammo Pack	2500	100 VDC
MC0805N430J500A2.54MM	43 pF	±5%	Ea.	1	50 VDC
MC0805N430J500A2.54MM	43 pF	±5%	Ammo Pack	2500	50 VDC
MC0805N431J101A2.54MM	430 pF	±5%	Ea.	1	100 VDC
MC0805N431J101A2.54MM	430 pF	±5%	Ammo Pack	2500	100 VDC
MC0805N470J101A2.54MM	47 pF	±5%	Ea.	1	100 VDC
MC0805N470J101A2.54MM	47 pF	±5%	Ammo Pack	2500	100 VDC
MC0805N470J500A2.54MM	47 pF	±5%	Ea.	1	50 VDC

ALL RIGHTS RESERVED. NO PORTION OF THIS PUBLICATION, WHETHER IN WHOLE OR IN PART CAN BE REPRODUCED WITHOUT THE EXPRESS WRITTEN CONSENT OF SPC TECHNOLOGY.

SIZE DWG. NO.

A

Ta-1072

ELECTRONIC FILE

Ta-1072.dwg

REV

A

SPC-F005.DWG

DOC. NO. SPC-F005 • Effective: 7/8/02 • DCP No: 1388

SCALE: NTS

U.O.M.: Millimeters

SHEET: 4 OF 5

Manufacturers part number	Capacitance	Capacitance Tolerance	Sell UOM	Sell QOM	Voltage Rating
MC0805N470J500A2.54MM	47 pF	±5%	Ammo Pack	2500	50 VDC
MC0805N471J101A2.54MM	470 pF	±5%	Ea.	1	100 VDC
MC0805N471J101A2.54MM	470 pF	±5%	Ammo Pack	2500	100 VDC
MC0805N471J500A2.54MM	470 pF	±5%	Ea.	1	50 VDC
MC0805N471J500A2.54MM	470 pF	±5%	Ammo Pack	2500	50 VDC
MC0805N4R0C500A2.54MM	4 pF	±0.25pF	Ea.	1	50 VDC
MC0805N4R0C500A2.54MM	4 pF	±0.25pF	Ammo Pack	2500	50 VDC
MC0805N4R7C101A2.54MM	4.7 pF	±0.25pF	Ea.	1	100 VDC
MC0805N4R7C101A2.54MM	4.7 pF	±0.25pF	Ammo Pack	2500	100 VDC
MC0805N4R7C500A2.54MM	4.7 pF	±0.25pF	Ea.	1	50 VDC
MC0805N4R7C500A2.54MM	4.7 pF	±0.25pF	Ammo Pack	2500	50 VDC
MC0805N510J500A2.54MM	51 pF	±5%	Ea.	1	50 VDC
MC0805N510J500A2.54MM	51 pF	±5%	Ammo Pack	2500	50 VDC
MC0805N560J101A2.54MM	56 pF	±5%	Ea.	1	100 VDC
MC0805N560J101A2.54MM	56 pF	±5%	Ammo Pack	2500	100 VDC
MC0805N560J500A2.54MM	56 pF	±5%	Ea.	1	50 VDC
MC0805N560J500A2.54MM	56 pF	±5%	Ammo Pack	2500	50 VDC
MC0805N561J101A2.54MM	560 pF	±5%	Ea.	1	100 VDC
MC0805N561J101A2.54MM	560 pF	±5%	Ammo Pack	2500	100 VDC
MC0805N561J500A2.54MM	560 pF	±5%	Ea.	1	50 VDC
MC0805N561J500A2.54MM	560 pF	±5%	Ammo Pack	2500	50 VDC
MC0805N5R0C101A2.54MM	5 pF	±0.25pF	Ea.	1	100 VDC
MC0805N5R0C101A2.54MM	5 pF	±0.25pF	Ammo Pack	2500	100 VDC
MC0805N5R1C500A2.54MM	5.1 pF	±0.25pF	Ea.	1	50 VDC
MC0805N5R1C500A2.54MM	5.1 pF	±0.25pF	Ammo Pack	2500	50 VDC
MC0805N5R6C101A2.54MM	5.6 pF	±0.25pF	Ea.	1	100 VDC
MC0805N5R6C101A2.54MM	5.6 pF	±0.25pF	Ammo Pack	2500	100 VDC
MC0805N5R6C500A2.54MM	5.6 pF	±0.25pF	Ea.	1	50 VDC
MC0805N5R6C500A2.54MM	5.6 pF	±0.25pF	Ammo Pack	2500	50 VDC
MC0805N680J500A2.54MM	68 pF	±5%	Ea.	1	50 VDC
MC0805N680J500A2.54MM	68 pF	±5%	Ammo Pack	2500	50 VDC
MC0805N681J101A2.54MM	680 pF	±5%	Ea.	1	100 VDC
MC0805N681J101A2.54MM	680 pF	±5%	Ammo Pack	2500	100 VDC
MC0805N681J500A2.54MM	680 pF	±5%	Ea.	1	50 VDC
MC0805N681J500A2.54MM	680 pF	±5%	Ammo Pack	2500	50 VDC
MC0805N6R0D500A2.54MM	6 pF	±0.5pF	Ea.	1	50 VDC
MC0805N6R0D500A2.54MM	6 pF	±0.5pF	Ammo Pack	2500	50 VDC
MC0805N6R2C101A2.54MM	6.2 pF	±0.25pF	Ea.	1	100 VDC
MC0805N6R2C101A2.54MM	6.2 pF	±0.25pF	Ammo Pack	2500	100 VDC
MC0805N6R8C101A2.54MM	6.8 pF	±0.25pF	Ea.	1	100 VDC

Manufacturers part number	Capacitance	Capacitance Tolerance	Sell UOM	Sell QOM	Voltage Rating
MC0805N6R8C101A2.54MM	6.8 pF	±0.25pF	Ammo Pack	2500	100 VDC
MC0805N6R8C500A2.54MM	6.8 pF	±0.25pF	Ea.	1	50 VDC
MC0805N6R8C500A2.54MM	6.8 pF	±0.25pF	Ammo Pack	2500	50 VDC
MC0805N750J101A2.54MM	75 pF	±5%	Ea.	1	100 VDC
MC0805N750J101A2.54MM	75 pF	±5%	Ammo Pack	2500	100 VDC
MC0805N750J500A2.54MM	75 pF	±5%	Ea.	1	50 VDC
MC0805N750J500A2.54MM	75 pF	±5%	Ammo Pack	2500	50 VDC
MC0805N7R0D500A2.54MM	7 pF	±0.5pF	Ea.	1	50 VDC
MC0805N7R0D500A2.54MM	7 pF	±0.5pF	Ammo Pack	2500	50 VDC
MC0805N820J101A2.54MM	82 pF	±5%	Ea.	1	100 VDC
MC0805N820J101A2.54MM	82 pF	±5%	Ammo Pack	2500	100 VDC
MC0805N820J500A2.54MM	82 pF	±5%	Ea.	1	50 VDC
MC0805N820J500A2.54MM	82 pF	±5%	Ammo Pack	2500	50 VDC
MC0805N820J500A2.54MM	82 pF	±5%	Ea.	1	100 VDC
MC0805N820J500A2.54MM	82 pF	±5%	Ammo Pack	2500	50 VDC
MC0805N821J101A2.54MM	820 pF	±5%	Ammo Pack	2500	100 VDC
MC0805N821J500A2.54MM	820 pF	±5%	Ea.	1	50 VDC
MC0805N821J500A2.54MM	820 pF	±5%	Ammo Pack	2500	50 VDC
MC0805N8R0D500A2.54MM	8 pF	±0.5%	Ea.	1	50 VDC
MC0805N8R0D500A2.54MM	8 pF	±0.5%	Ammo Pack	2500	50 VDC
MC0805N8R2C500A2.54MM	8.2 pF	±0.25%	Ammo Pack	2500	50 VDC
MC0805N910J101A2.54MM	91 pF	±5%	Ea.	1	100 VDC
MC0805N910J101A2.54MM	91 pF	±5%	Ammo Pack	2500	100 VDC
MC0805N910J500A2.54MM	91 pF	±5%	Ea.	1	50 VDC
MC0805N910J500A2.54MM	91 pF	±5%	Ammo Pack	2500	50 VDC
MC0805N9R0D500A2.54MM	9 pF	±0.5pF	Ea.	1	50 VDC
MC0805N9R0D500A2.54MM	9 pF	±0.5pF	Ammo Pack	2500	50 VDC
MC0805N9R1C500A2.54MM	9.1 pF	±0.25pF	Ea.	1	50 VDC
MC0805N9R1C500A2.54MM	9.1 pF	±0.25pF	Ammo Pack	2500	50 VDC
MC0805Y103M101A2.54MM	0.01 µF	±20%	Ea.	1	100 VDC
MC0805Y103M101A2.54MM	0.01 µF	±20%	Ammo Pack	2500	100 VDC
MC0805Y103M500A2.54MM	0.01 µF	±20%	Ea.	1	50 VDC
MC0805Y103M500A2.54MM	0.01 µF	±20%	Ammo Pack	2500	50 VDC
MC0805Y104M500A2.54MM	0.1 µF	±20%	Ea.	1	50 VDC
MC0805Y104M500A2.54MM	0.1 µF	±20%	Ammo Pack	2500	50 VDC
MC0805Y153M101A2.54MM	0.015 µF	±20%	Ea.	1	100 VDC
MC0805Y153M101A2.54MM	0.015 µF	±20%	Ammo Pack	2500	100 VDC
MC0805Y223M500A2.54MM	0.022 µF	±20%	Ea.	1	50 VDC
MC0805Y223M500A2.54MM	0.022 µF	±20%	Ammo Pack	2500	50 VDC
MC0805Y333M500A2.54MM	0.033 µF	±20%	Ea.	1	50 VDC
MC0805Y333M500A2.54MM	0.033 µF	±20%	Ammo Pack	2500	50 VDC
MC1206N472J500A2.54MM	4700 pF	±5%	Ea.	1	50 VDC
MC1206N472J500A2.54MM	4700 pF	±5%	Ammo Pack	2500	50 VDC

ALL RIGHTS RESERVED. NO PORTION OF THIS PUBLICATION, WHETHER IN WHOLE OR IN PART CAN BE REPRODUCED WITHOUT THE EXPRESS WRITTEN CONSENT OF SPC TECHNOLOGY.

SIZE DWG. NO.

A

Ta-1072

ELECTRONIC FILE

Ta-1072.dwg

REV

A

SPC-F005.DWG

DOC. NO. SPC-F005 • Effective: 7/8/02 • DCP No: 1388

SCALE: NTS

U.O.M.: Millimeters

SHEET: 5 OF 5