

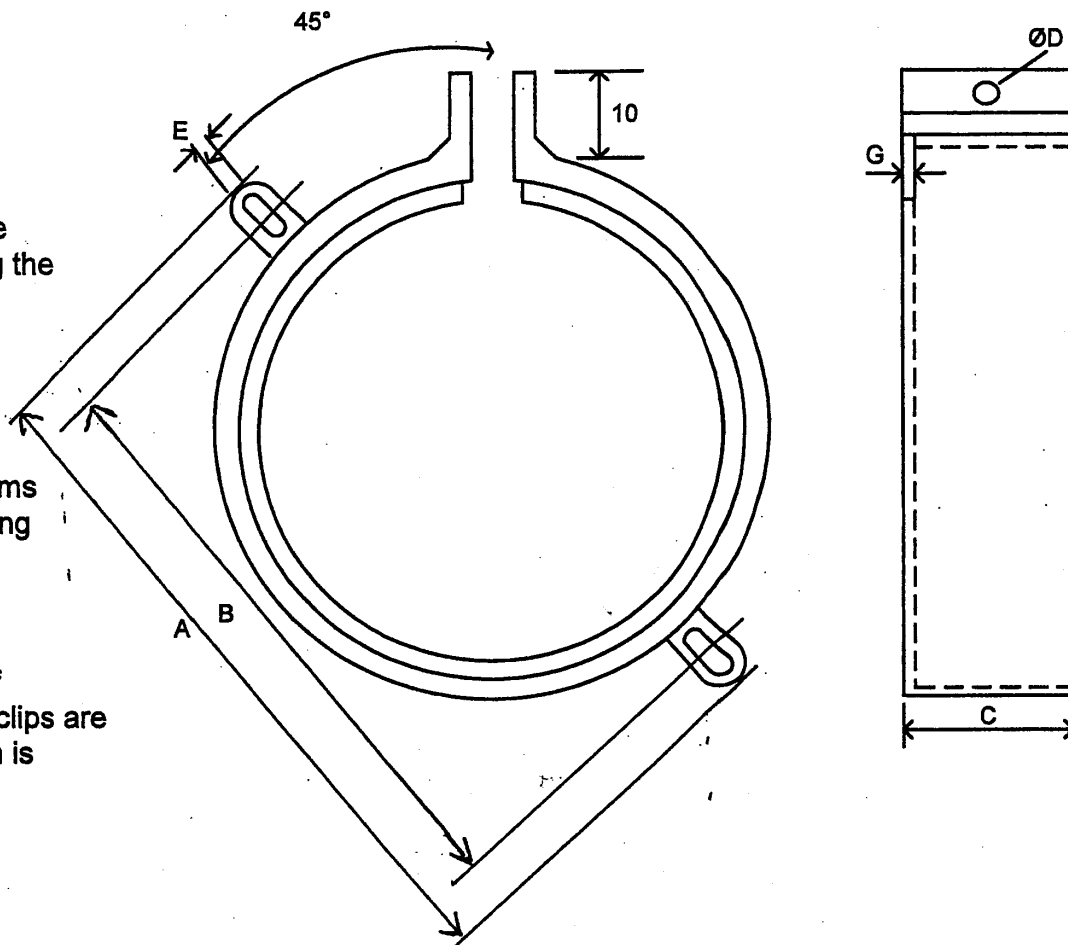
'S' SERIES

'S' SERIES are particularly recommended where the capacitor cases should be isolated from the chassis on which they are fixed.

The capacitor is raised 2mm off the mounting board thereby eliminating the need for an insulating disc on the capacitor.

Metal clips can cut through the insulating sleeve and cause problems which cannot occur with an insulating NYLON clip.

The good mechanical properties of NYLON are well known and these clips are particularly suitable where vibration is involved.



No.	CAN DIAMETER	A	B	C	D	E	G
EP0881 - P	25	49	37	25	4	4.7	2.5
EP9001 - P	30	54	42.2	25	4	4.7	2.5
EP0882 - P	35	57.5	46	25	4	4.7	2.5
EP0880 - P	40	64	52	25	4	4.7	2.5
EP0884 - P	45	68	56	25	4	4.7	2.5
EP0885 - P	50	74	62	25	4	4.7	2.5