

LCR CAPACITORS (EU) LTD

REV 3

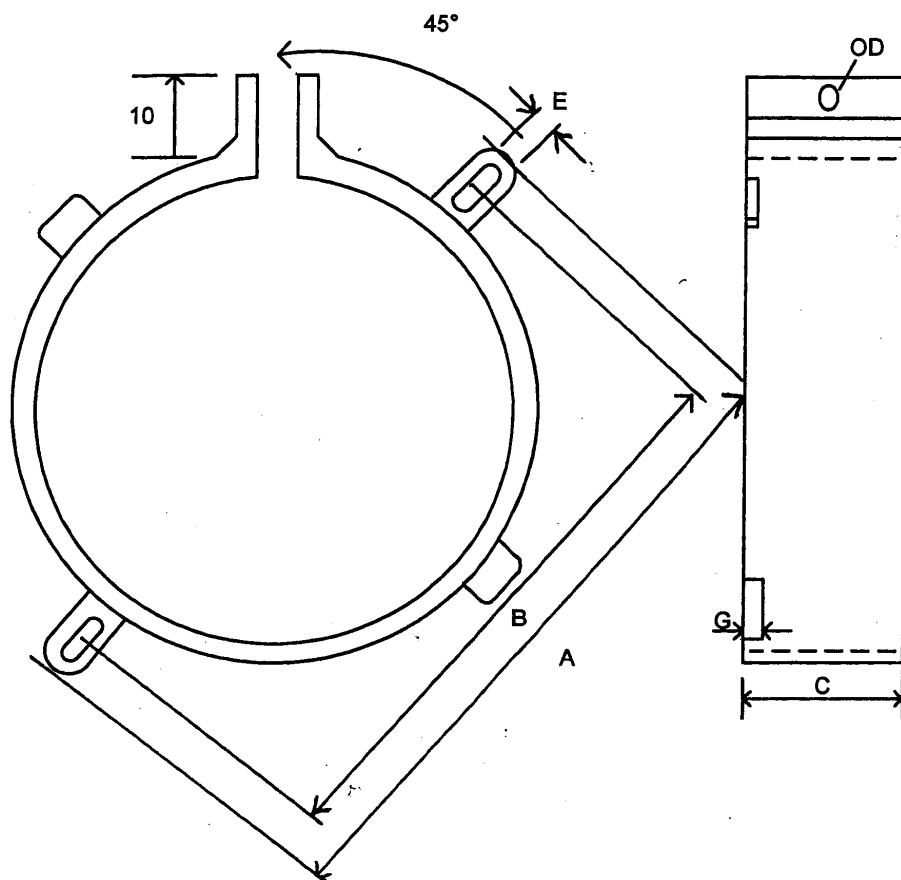
LCR
 NYLON
 MOUNTING CLIP
 FOR TUBULAR
 CAPACITORS

'SC' SERIES

'SC' SERIES for Surface or Central Mounting.

Metal clips can cut through the insulating sleeve and cause problems which cannot occur with an insulating NYLON clip.

The good mechanical properties of NYLON are well known and these clips are particularly suitable where vibration is involved.



No.	CAN DIAMETER	A	B	C	D	E	G
EP0881 - PNF	25	49	37	25	4	4.7	2.5
EP9001 - PNF	30	54	42.2	25	4	4.7	2.5
EP0882 - PNF	35	57.5	46	25	4	4.7	2.5
EP0880 - PNF	40	64	52	25	4	4.7	2.5
EP0884 - PNF	45	68	56	25	4	4.7	2.5
EP0885 - PNF	50	74	62	25	4	4.7	2.5
EP0886 - PNF	63.5	87	75	25	4	4.7	2.5