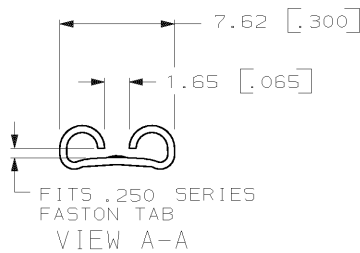
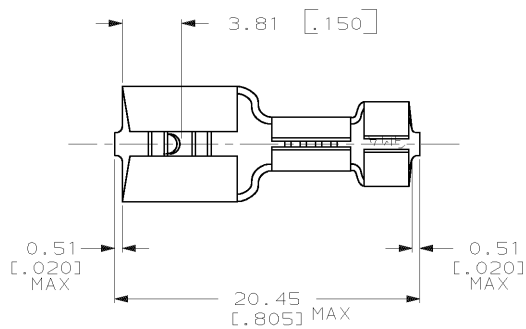
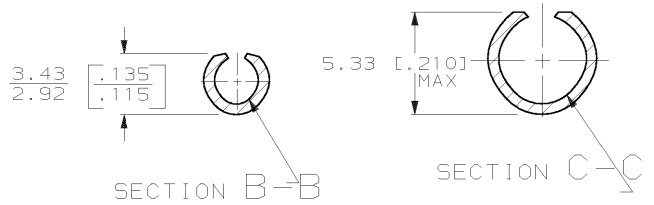
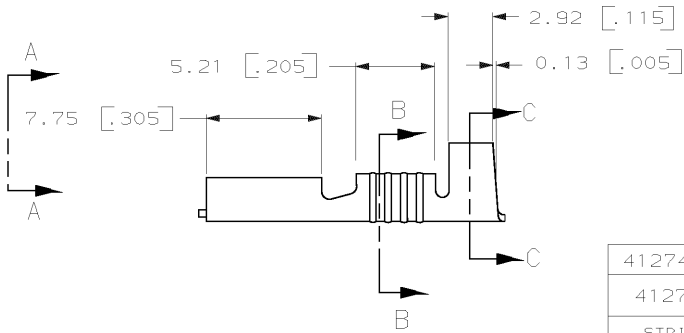


THIS DRAWING IS UNPUBLISHED. RELEASED FOR PUBLICATION, 19...
 © COPYRIGHT 19... BY AMP INCORPORATED. ALL INTERNATIONAL RIGHTS RESERVED.

| LOC | DIST | REVISIONS | | | | DATE | APPD |
|-----|------|-----------|-----|----------------------|---------|-------|------|
| P | F | ZONE | LTR | DESCRIPTION | | | |
| AF | 50 | | J | REV PER 063A-0811-00 | 11DEC00 | JR/PD | |



1 SUPPLIED IN LOOSE PIECE
 2 FOREIGN PRODUCTION ONLY.



| | | | | |
|--|------------------------------|--|---|---------------------|
| 41274-1 | 3.05-3.68 [.120-.145] DIA | 0.8-1.3mm ² [18-16] AWG | 0.81 [.032] | △ 41729-2 |
| 41274 | | | | 41729 |
| STRIP | INSUL RANGE | WIRE SIZE | MATING TAB THK ±0.025 [.001] | PART NO |
| DO NOT SCALE PRINT. UNLESS SPECIFIED DIMENSIONS IN MM [INCHES] TOLERANCES ON: 2. PLC DEC ± 0.25 (.010) 3. PLC DEC ± - ANGLES ± - | | DR 2/11/91 JR RUTH CHK 2/11/91 MS FEHER APPD 2/11/91 C HENERS APPD 2/11/91 R REINER | AMP Incorporated Harrisburg, PA 17105-3608 | |
| MATERIAL | BRASS 0.46 [.018] | PRODUCT SPEC | NAME RECEPTACLE, FASTON, 6.35 [.250] SERIES | |
| FINISH | TIN .000080 MIN | APPLICATION SPEC | SIZE B | CAGE CODE 00779 |
| | | WEIGHT | SCALE 4:1 | DRAWING NO 41729 |
| | | | | SHEET 1 OF 1 |