

Digital Silicon Microphone

DESCRIPTION

The WM7220 is a low-profile silicon digital microphone. It offers high Signal to Noise Ratio (SNR) and low power consumption and is suited to a wide variety of consumer applications.

The WM7220 incorporates Wolfson's proprietary CMOS/MEMS membrane technology, offering high reliability and high performance in a miniature, low-profile package. The WM7220 is designed to withstand the high temperatures associated with automated flow solder assembly processes. (Note that conventional microphones can be damaged by this process.)

The WM7220 incorporates a high performance ADC, which outputs a single-bit Pulse Density Modulated (PDM) audio data stream. The WM7220 supports selectable left/right channel assignment for a two-channel digital microphone interface, enabling efficient connection of multiple microphones in stereo/array configurations.

FEATURES

- High SNR (58dB)
- Low power
 - Sleep mode - 10µA
 - Normal operation - 650µA
- Low profile packaging
- Support for automated flow solder assembly
- PDM digital audio output
- Stereo/array operation
- Proprietary ADC technology
 - Reduced clock jitter sensitivity
 - Low noise floor modulation
 - Stable in overload condition
- Top port package
- 1.64V to 3.7V supply
- 4.72 x 3.76 x 1.25mm thin package design

APPLICATIONS

- Mobile telephone handsets
- Portable computers
- Portable media players
- Digital still cameras
- Digital video cameras
- Bluetooth headsets
- Portable navigation devices

BLOCK DIAGRAM

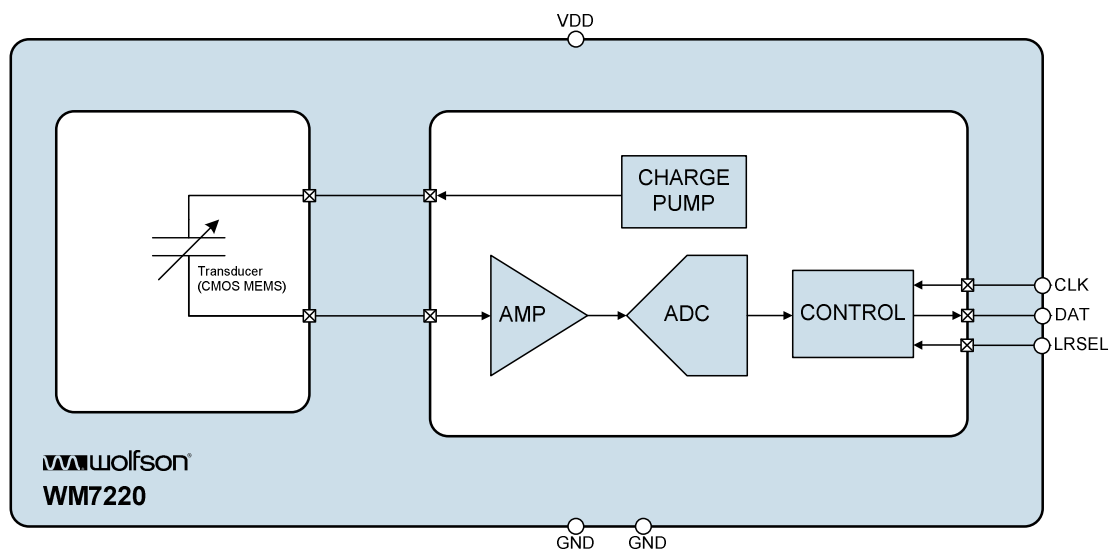
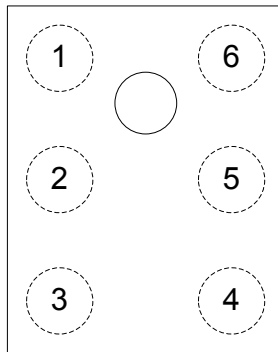


TABLE OF CONTENTS

DESCRIPTION	1
FEATURES	1
APPLICATIONS	1
BLOCK DIAGRAM	1
TABLE OF CONTENTS	2
PIN CONFIGURATION	3
PIN DESCRIPTION	3
ORDERING INFORMATION	3
ABSOLUTE MAXIMUM RATINGS	4
IMPORTANT ASSEMBLY GUIDELINES	4
RECOMMENDED OPERATING CONDITIONS	4
ACOUSTIC AND ELECTRICAL CHARACTERISTICS	5
TERMINOLOGY.....	5
AUDIO INTERFACE TIMING	6
FREQUENCY RESPONSE CURVE	7
APPLICATIONS INFORMATION	8
RECOMMENDED EXTERNAL COMPONENTS.....	8
CONNECTION TO A WOLFSON AUDIO CODEC.....	8
RECOMMENDED PCB LAND PATTERNS	9
PACKAGE DIMENSIONS	10
IMPORTANT NOTICE	11
ADDRESS:	11

PIN CONFIGURATION



Top View

PIN DESCRIPTION

PIN	NAME	TYPE	DESCRIPTION
1	GND	Supply	Ground
2	LRSEL	Digital Input	Channel Select 0 = Data output following rising CLK edge 1 = Data output following falling CLK edge
3	GND	Supply	Ground
4	CLK	Digital Input	Clock input
5	DAT	Digital Output	PDM Data Output
6	VDD	Supply	Power Supply

ORDERING INFORMATION

DEVICE	DESCRIPTION	TEMPERATURE RANGE	MOISTURE SENSITIVITY LEVEL	PEAK SOLDERING TEMPERATURE
WM7220IMS/V	Standard	-40 to +100oC	MSL2A	+260oC
WM7220IMS/RV	Standard (tape and reel)	-40 to +100oC	MSL2A	+260oC

Note:

Reel quantity = 4,800

All devices are Pb-free and Halogen free.

ABSOLUTE MAXIMUM RATINGS

Absolute Maximum Ratings are stress ratings only. Permanent damage to the device may be caused by continuously operating at or beyond these limits. Device functional operating limits and guaranteed performance specifications are given under Electrical Characteristics at the test conditions specified.



ESD Sensitive Device. This device is manufactured on a CMOS process. It is therefore generically susceptible to damage from excessive static voltages. Proper ESD precautions must be taken during handling and storage of this device.

Wolfson tests its package types according to IPC/JEDEC J-STD-020 for Moisture Sensitivity to determine acceptable storage conditions prior to surface mount assembly. These levels are:

MSL1 = unlimited floor life at <30°C / 85% Relative Humidity. Not normally stored in moisture barrier bag.

MSL2 = out of bag storage for 1 year at <30°C / 60% Relative Humidity. Supplied in moisture barrier bag.

MSL2A = out of bag storage for 4 weeks at <30°C / 60% Relative Humidity. Supplied in moisture barrier bag.

MSL3 = out of bag storage for 168 hours at <30°C / 60% Relative Humidity. Supplied in moisture barrier bag.

The Moisture Sensitivity Level for each package type is specified in Ordering Information.

CONDITION	MIN	MAX
Supply Voltage	-0.3V	+4.2V
Operating temperature range, T _A	-40°C	+100°C
Storage temperature prior to soldering	30°C max / 60% RH max	
Storage temperature after soldering	-40°C	+100°C

IMPORTANT ASSEMBLY GUIDELINES

Do not put a vacuum over the port hole of the microphone. Placing a vacuum over the port hole can damage the device.

For information on recommended pick and place vacuum point, refer to the package dimension drawing.

Do not board wash the microphone after a re-flow process. Board washing and the associated cleaning agents can damage the device. Do not expose to ultrasonic cleaning methods.

Do not use vapour phase re-flow process. The vapour can damage the device.

RECOMMENDED OPERATING CONDITIONS

PARAMETER	SYMBOL	MIN	TYP	MAX	UNIT
Analogue Supply Range	VDD	1.64		3.7	V
Ground	GND		0		V
Clock Frequency	F _{CLK}	1		3.25	MHz

ACOUSTIC AND ELECTRICAL CHARACTERISTICS

Test Conditions: VDD=1.8V, 1kHz test signal, CLK=2.4MHz, T_A = 25°C

PARAMETER	SYMBOL	TEST CONDITIONS	MIN	TYP	MAX	UNIT
Directivity			Omni-directional			
Sensitivity	S	94dB SPL	-29	-26	-23	dBFS
Acoustic Overload		THD < 10%		120		dB SPL
Signal to Noise Ratio	SNR	A-Weighted		58		dB
Total Harmonic Distortion	THD	100dB SPL		0.1	1	%
Frequency Response		-3dB Low frequency		35		Hz
		+3dB High frequency		7800		Hz
Acoustic Noise Floor	ENL	A-weighted		36		dB SPL
Electrical Noise Floor		A-weighted		-86		dBFS
Power Supply Rejection	PSR	217Hz Square Wave 100mV pk-pk		70		dBFS
Digital Input / Output						
CLK Input HIGH Level	V _{IH}		0.65 x VDD			V
CLK Input LOW Level	V _{IL}				0.35 x VDD	V
DAT Output HIGH Level	V _{OH}	I _{OH} = +1mA	0.9 x VDD			V
DAT Output LOW Level	V _{OL}	I _{OL} = -1mA			0.1 x VDD	V
Input capacitance (CLK)	C _{IN}			5.0		pF
Maximum load capacitance (DAT)	C _{LOAD}				100	pF
Input Leakage					1	μA
Short Circuit Output Current	I _{SC}	DAT connected to GND			10	mA
Miscellaneous						
Current Consumption	I _{VDD}	Active Mode		650		μA
		SLEEP Mode			10	
Start-up Time		From OFF		50		ms
		From SLEEP		10		
CLK Sleep Frequency					1.0	kHz

TERMINOLOGY

- Sensitivity (dBFS) - Sensitivity is a measure of the microphone output in response to the acoustic pressure of a 1kHz 94dB SPL (1Pa) sine wave. This is referenced to the Full Scale Range (FSR) of the microphone.
- Signal-to-Noise Ratio (dB) – SNR is a measure of the difference in level between the output resulting from a 1kHz SPL sine wave and the idle noise output.
- Total Harmonic Distortion (dB) – THD is the level of the rms value of the sum of harmonic distortion products in the specified bandwidth (see note below) relative to the amplitude of the fundamental (ie. test frequency) output.
- All performance measurements carried out with 20kHz brick wall filter and, where noted, an A-weighted filter. Failure to use such a filter will result in higher THD and lower SNR readings than are found in the Acoustic and Electrical Characteristics. The brick wall filter removes out of band noise; although it is not audible, it affects dynamic specification values.
- Sensitivity and Electrical Noise Floor are measured in dBFS, relative to Full Scale Range (FSR). Full scale range is the digital maximum full scale range reached when the part is excited by a 1kHz input test signal of 116dB SPL as the test signal reaches full-scale amplitude. In general this is the large possible undistorted signal that will fit in the numerical range. Because the definition of full scale range is based on a sine wave, it will be possible with square-wave test signals to achieve +3,01dBFS.
- SLEEP Mode is enabled when the CLK input is below the CLK Sleep Frequency noted above. This is a power saving mode. Normal operation resumes automatically when the CLK input is above the CLK Sleep Frequency. Note that the VDD supply is still required in SLEEP mode.

AUDIO INTERFACE TIMING

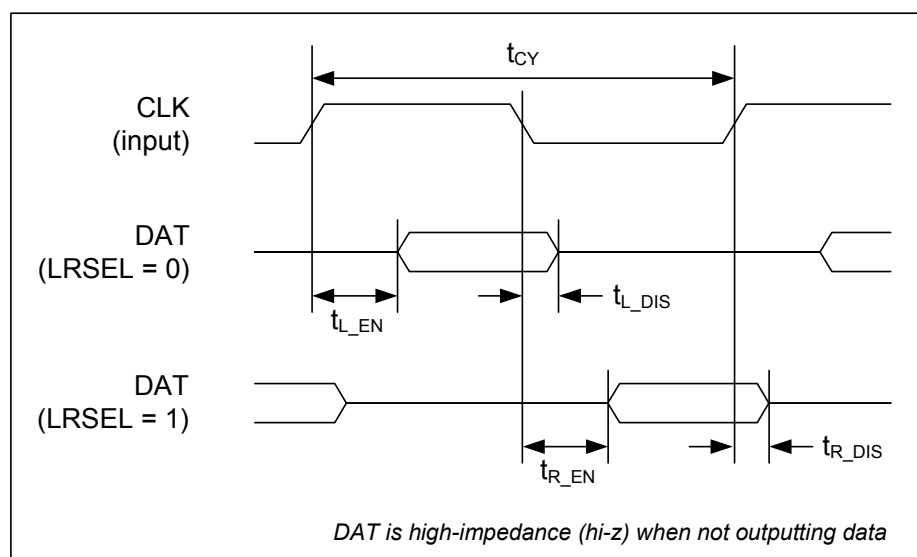


Figure 1 Digital Microphone Interface Timing

Test Conditions

The following timing information is valid across the full range of recommended operating conditions.

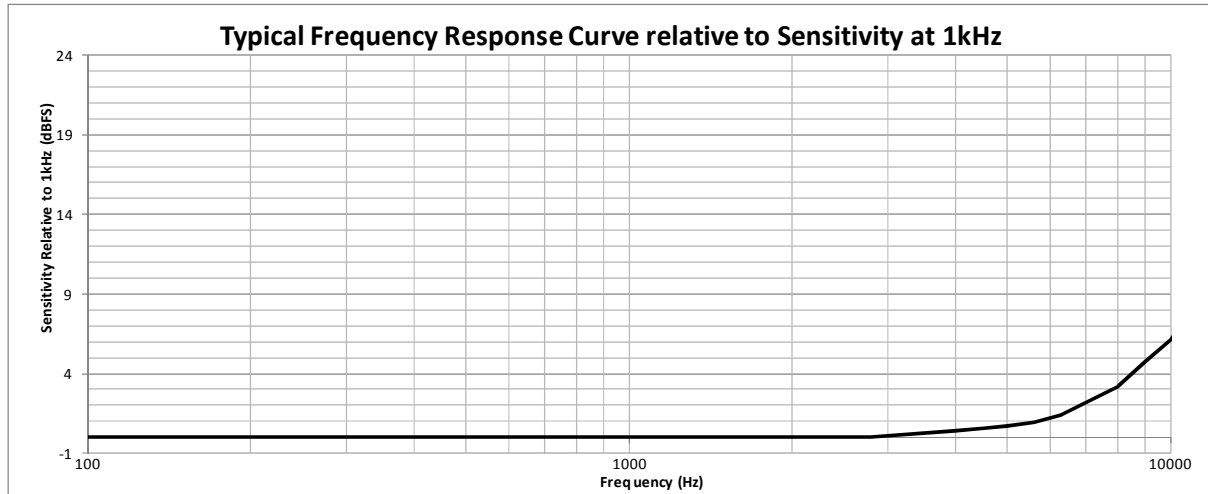
PARAMETER	SYMBOL	MIN	TYP	MAX	UNIT
Digital Microphone Interface Timing					
CLK cycle time	t_{CY}	325		976	ns
CLK duty cycle		60:40		40:60	
DAT enable from rising CLK edge (LRSEL = 0)	t_{L_EN}		18		ns
DAT disable from falling CLK edge (LRSEL = 0)	t_{L_DIS}			16	ns
DAT enable from falling CLK edge (LRSEL = 1)	t_{R_EN}		18		ns
DAT disable from rising CLK edge (LRSEL = 1)	t_{R_DIS}			16	ns

The DAT output is high-impedance when not outputting data; this enables the outputs of two microphones to be connected together, with the data from one microphone interleaved with the data from the other. (The microphones must be configured to transmit on opposite channels in this case.)

In a typical configuration, the Left channel is transmitted following the rising CLK edge (LRSEL = 0). In this case, the Left channel should be sampled by the receiving device on the falling CLK edge,

Similarly, the Right channel is typically transmitted following the falling CLK edge (LRSEL = 1). In this case, the Right channel should be sampled by the receiving device on the rising CLK edge.

FREQUENCY RESPONSE CURVE



APPLICATIONS INFORMATION

RECOMMENDED EXTERNAL COMPONENTS

It is recommended to connect a 0.1µF decoupling capacitor between the VDD and GND pins of the WM7220. A ceramic 0.1µF capacitor with X7R dielectric or better is suitable. The capacitor should be placed as close to the WM7220 as possible.

CONNECTION TO A WOLFSON AUDIO CODEC

Wolfson provides a range of audio CODECs incorporating a digital microphone input interface; these support direct connection to digital microphones such as the WM7220.

Stereo connection of two WM7220 digital microphones to the WM8903 CODEC is illustrated in Figure 2. Further information on the WM8903 is provided in the product datasheet, which is available from the Wolfson website. The equivalent connections can be made to other Wolfson devices supporting a digital microphone interface.

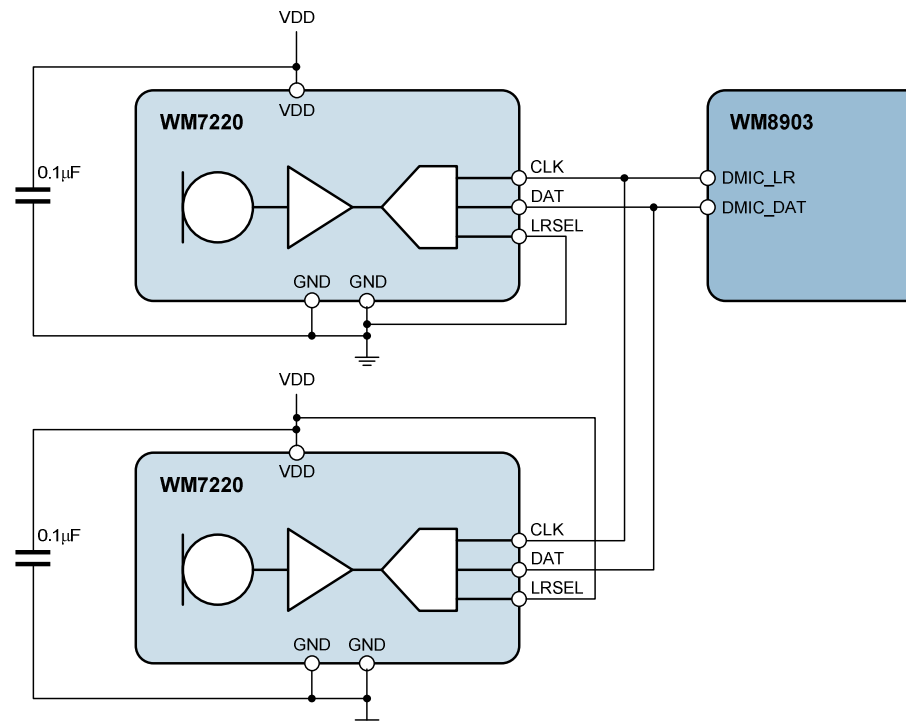
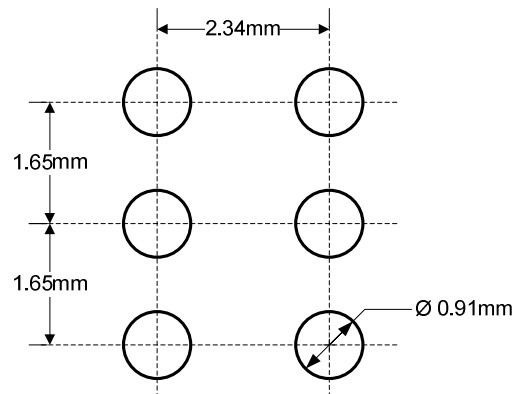
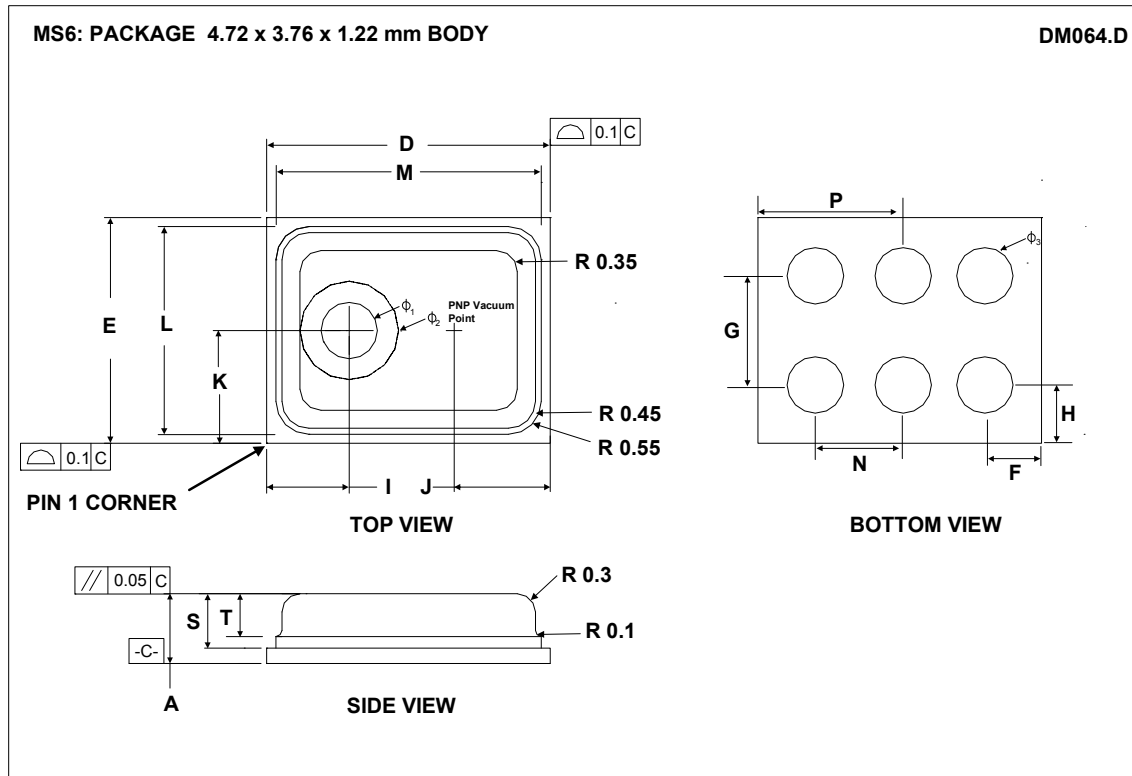


Figure 2 Stereo WM7220 Digital Microphone connection to WM8903

RECOMMENDED PCB LAND PATTERNS**Figure 3 Recommended Customer PCB Land Pattern**

(Note that all other dimensions can be obtained from the package dimensions)

PACKAGE DIMENSIONS



Symbols	Dimensions (mm)			NOTE
	MIN	NOM	MAX	
A	1.15	1.22	1.29	
D	4.62	4.72	4.82	
E	3.66	3.76	3.86	
F	0.66	0.71	0.76	
G	2.29	2.34	2.39	
H	0.66	0.71	0.76	
K	1.63	1.88	2.13	
I	1.17	1.37	1.57	
J	1.55	1.60	1.65	PNP Vacuum Point
L	3.36	3.46		
M	4.32	4.42		
N	1.60	1.65	1.70	
P	2.26	2.36	2.46	
S	0.85	0.90	0.95	
T	0.65	0.70	0.75	
ϕ_1	0.89	0.94	0.99	
ϕ_2	1.59	1.64	1.69	Gasket Area
ϕ_3	0.86	0.91	0.96	

- NOTES:
1. THE SEATING PLANE IS REPRESENTED BY PRIMARY DATUM -C-
 2. THE DEVIATION FROM THE SEATING PLANE DUE TO WARPAGE OR TWIST IS SPECIFIED AS MAX 50 μ m (FLATNESS).
 3. LID SHOULD BE PARALLEL TO THE SEATING PLANE \pm 50 μ m.

IMPORTANT NOTICE

Wolfson Microelectronics plc ("Wolfson") products and services are sold subject to Wolfson's terms and conditions of sale, delivery and payment supplied at the time of order acknowledgement.

Wolfson warrants performance of its products to the specifications in effect at the date of shipment. Wolfson reserves the right to make changes to its products and specifications or to discontinue any product or service without notice. Customers should therefore obtain the latest version of relevant information from Wolfson to verify that the information is current.

Testing and other quality control techniques are utilised to the extent Wolfson deems necessary to support its warranty. Specific testing of all parameters of each device is not necessarily performed unless required by law or regulation.

In order to minimise risks associated with customer applications, the customer must use adequate design and operating safeguards to minimise inherent or procedural hazards. Wolfson is not liable for applications assistance or customer product design. The customer is solely responsible for its selection and use of Wolfson products. Wolfson is not liable for such selection or use nor for use of any circuitry other than circuitry entirely embodied in a Wolfson product.

Wolfson's products are not intended for use in life support systems, appliances, nuclear systems or systems where malfunction can reasonably be expected to result in personal injury, death or severe property or environmental damage. Any use of products by the customer for such purposes is at the customer's own risk.

Wolfson does not grant any licence (express or implied) under any patent right, copyright, mask work right or other intellectual property right of Wolfson covering or relating to any combination, machine, or process in which its products or services might be or are used. Any provision or publication of any third party's products or services does not constitute Wolfson's approval, licence, warranty or endorsement thereof. Any third party trade marks contained in this document belong to the respective third party owner.

Reproduction of information from Wolfson datasheets is permissible only if reproduction is without alteration and is accompanied by all associated copyright, proprietary and other notices (including this notice) and conditions. Wolfson is not liable for any unauthorised alteration of such information or for any reliance placed thereon.

Any representations made, warranties given, and/or liabilities accepted by any person which differ from those contained in this datasheet or in Wolfson's standard terms and conditions of sale, delivery and payment are made, given and/or accepted at that person's own risk. Wolfson is not liable for any such representations, warranties or liabilities or for any reliance placed thereon by any person.

ADDRESS:

Wolfson Microelectronics plc
Westfield House
26 Westfield Road
Edinburgh
EH11 2QB

Tel :: +44 (0)131 272 7000

Fax :: +44 (0)131 272 7001

Email :: sales@wolfsonmicro.com