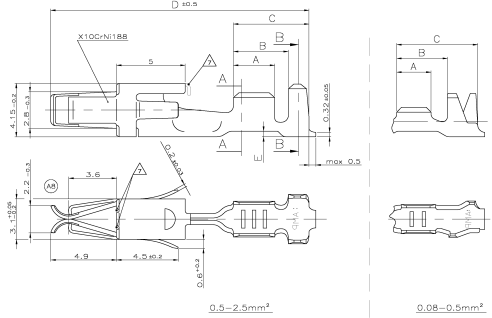
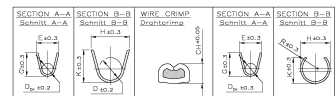
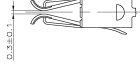


REMARKS  
Bemerkungen

- ⚠ CONTACT BODY PRE-SILVER PLATED MIN. 0.8µm CONTACT ZONE SELECTIVE PRE-SILVER PLATED MIN. 3µm Kontaktkörper vorversilbert min. 0,8µm Kontaktzone selektiv vorversilbert min. 3µm
- ⚠ CONTACT ZONE GOLD PLATED MIN. 0.8µm OVER MIN. 1.3µm Ni-LAYER CRIMP AREA MIN. 1µm TIN PLATED OVER Ni-LAYER Kontaktzone vergoldet min. 0,8µm ueber min. 1,3µm Ni-Zwischenschicht Crimpbereich min. 1µm verzinkt ueber Ni-Zwischenschicht
- ⚠ CANTILEVER SPRING INSIDE AND OUTSIDE 0.4-1.2µm Au Ueberfeder innen und aussen 0,4-1,2µm Au
- ⚠ CONTACT BODY CONTACT SPRING INSIDE AND CRIMP AREA MIN. 1µm TIN PLATED OVER Ni-LAYER TOUCHING AREA TO CANTILEVER SPRING AND CONTACT SPRING OUTSIDE SELECTIVE 0.8µm Au OVER MIN. 1.3µm Ni-LAYER Kontaktkörper, Kontaktfeder innen und Crimpbereich min. 1µm verzinkt ueber Ni-Zwischenschicht, Anlagefläche zur Ueberfeder und Kontaktfeder aussen selektiv 0,8µm vergoldet ueber min. 1,3µm Ni-Zwischenschicht
- ⚠ CONTACT ZONE AND TOUCHING AREA TO CANTILEVER SPRING MIN. 0.8µm SELECTIVE Au PLATED OVER 1.3µm Ni PLATED CRIMP AREA MIN. 1µm TIN PLATED OVER Ni-LAYER Kontaktzone und Anlagefläche zur Ueberfeder min. 0,8µm vergoldet ueber min. 1,3µm Ni-Zwischenschicht Crimpbereich min. 1µm verzinkt ueber Ni-Zwischenschicht
- ⚠ CONTACT BODY AND CRIMP AREA MIN. 1µm TIN PLATED OVER Ni-LAYER TOUCHING AREA TO CANTILEVER SPRING SELECTIVE 0.8µm Au OVER MIN. 1.3µm Ni-LAYER Kontaktkörper und Crimpbereich min. 1µm verzinkt ueber Ni-Zwischenschicht Anlagefläche zur Ueberfeder selektiv 0,8µm vergoldet ueber min. 1,3µm Ni-Zwischenschicht
- ⚠ CONTACT OFF OPTIONAL Abschnitt/Freeschnitt optional
- ⚠ CONTACT RE-TREATED WITH LUBRICANT BARRIERTA DISPERSION Kontakt mit Gleitmittel Barrierta Dispersion behandelt
- ⚠ VARIANTS WITH GAP-SIZE 0.3±0.1mm Varianten mit Gap-Size 0,3±0,1mm



ORDER-NO. STRIP FORM Bestell-Nr. Bandform	REV	TE ORDER-NO. Bandform	MATERIAL LOOSE PIECE Material	SURFACE Oberfläche	DGB	SECTION A-A Schnitt A-A		SECTION B-B Schnitt B-B		WIRE CRIMP Drabstange	SECTION A-A Schnitt A-A	SECTION B-B Schnitt B-B	APPLICATION TOOL Anschlag-Wkz	HAND TOOL Handzeuge	EXTRACTION TOOL Ausziehwerkzeug No.: 968107-1	A	B	C	D	E	
						E	G	H	K												D <sub>0.2</sub>
928810-3	A	928810-4	CuSn4	vorversilbert min 1µm	FLR	0.5-1.0	E = 3.6 G = 2.8 D <sub>0.2</sub> = 1.7	H = 3.6 K = 3.9 D = 1.8	0.5mm <sup>2</sup> = 1.18 0.75mm <sup>2</sup> = 1.27 1.0mm <sup>2</sup> = 1.36				MDC-Applicator 878181-2			3.0	4.0	5.5	18.8	0.4	⚠
928810-1	A	928810-2	CuSn4	vorversilbert min 1µm	FLR	0.5-1.0	E = 3.6 G = 2.8 D <sub>0.2</sub> = 1.7	H = 3.6 K = 3.9 D = 1.8	0.5mm <sup>2</sup> = 1.18 0.75mm <sup>2</sup> = 1.27 1.0mm <sup>2</sup> = 1.36				MDC-Applicator 878180-2			3.3	4.3	5.8	18.8	0.4	⚠
963884-2	A	963885-2	CuSn4	vorversilbert min 1µm	FLR	>1.0-2.5	E = 3.6 G = 3.8 D <sub>0.2</sub> = 1.8	H = 4.7 K = 4.9 D = 2.6	1.25mm <sup>2</sup> = 1.44 1.5mm <sup>2</sup> = 1.51 2.0mm <sup>2</sup> = 1.64 2.5mm <sup>2</sup> = 1.77	E = 2.8 G = 3.9 D <sub>0.2</sub> = 1.7	H = 3.8 R = 2.3 K = 4.3		MDC-Applicator 878180-2			3.3	4.3	5.8	18.8	0.4	⚠
2-927773-1	P	2-927781-1	CuSn4	vorversilbert min 1µm	FLR	>1.0-2.5	E = 3.6 G = 3.8 D <sub>0.2</sub> = 1.8	H = 5.5 K = 5.8 D = 3.6	1.25mm <sup>2</sup> = 1.44 1.5mm <sup>2</sup> = 1.51 2.0mm <sup>2</sup> = 1.64 2.5mm <sup>2</sup> = 1.77	E = 2.8 G = 3.9 D <sub>0.2</sub> = 1.7	H = 4.2 R = 2.4		MDC-Applicator 878190-2			3.3	4.3	5.8	18.8	0.4	⚠
1-927773-1	P	1-927781-1	CuFe2	vorversilbert min 1µm	FLR	>1.0-2.5	E = 3.6 G = 3.8 D <sub>0.2</sub> = 1.8	H = 5.5 K = 5.8 D = 3.6	1.25mm <sup>2</sup> = 1.44 1.5mm <sup>2</sup> = 1.51 2.0mm <sup>2</sup> = 1.64 2.5mm <sup>2</sup> = 1.77	E = 2.8 G = 3.9 D <sub>0.2</sub> = 1.7	H = 4.2 R = 2.4		MDC-Applicator 878190-2			3.3	4.3	5.8	18.8	0.4	⚠
927773-6	N	927781-6	CuSn4	vorversilbert min 1µm	FLR	>1.0-2.5	E = 3.6 G = 3.8 D <sub>0.2</sub> = 1.8	H = 4.7 K = 4.9 D = 2.6	1.25mm <sup>2</sup> = 1.44 1.5mm <sup>2</sup> = 1.51 2.0mm <sup>2</sup> = 1.64 2.5mm <sup>2</sup> = 1.77	E = 2.8 G = 3.9 D <sub>0.2</sub> = 1.7	H = 3.8 R = 2.3		MDC-Applicator 878180-2			3.3	4.3	5.8	18.8	0.4	⚠
927773-3	N	927781-3	CuSn4	vorversilbert min 1µm	FLR	>1.0-2.5	E = 3.6 G = 3.8 D <sub>0.2</sub> = 1.8	H = 4.7 K = 4.9 D = 2.6	1.25mm <sup>2</sup> = 1.44 1.5mm <sup>2</sup> = 1.51 2.0mm <sup>2</sup> = 1.64 2.5mm <sup>2</sup> = 1.77	E = 2.8 G = 3.9 D <sub>0.2</sub> = 1.7	H = 3.8 R = 2.3		MDC-Applicator 878180-2			3.3	4.3	5.8	18.8	0.4	⚠
2-927768-1	R	2-927777-1	CuSn4	vorversilbert min 1µm	FLR	>1.0-2.5	E = 3.6 G = 3.8 D <sub>0.2</sub> = 1.8	H = 4.7 K = 4.9 D = 2.6	1.25mm <sup>2</sup> = 1.44 1.5mm <sup>2</sup> = 1.51 2.0mm <sup>2</sup> = 1.64 2.5mm <sup>2</sup> = 1.77	E = 2.8 G = 3.9 D <sub>0.2</sub> = 1.7	H = 3.8 R = 2.3		MDC-Applicator 878180-2			3.3	4.3	5.8	18.8	0.4	⚠
1-927768-1	R	1-927777-1	CuFe2	vorversilbert min 1µm	FLR	>1.0-2.5	E = 3.6 G = 3.8 D <sub>0.2</sub> = 1.8	H = 4.7 K = 4.9 D = 2.6	1.25mm <sup>2</sup> = 1.44 1.5mm <sup>2</sup> = 1.51 2.0mm <sup>2</sup> = 1.64 2.5mm <sup>2</sup> = 1.77	E = 2.8 G = 3.9 D <sub>0.2</sub> = 1.7	H = 3.8 R = 2.3		MDC-Applicator 878180-2			3.3	4.3	5.8	18.8	0.4	⚠
927768-9	P	927777-9	CuSn4	vorversilbert min 1µm	FLR	>1.0-2.5	E = 3.6 G = 3.8 D <sub>0.2</sub> = 1.8	H = 4.7 K = 4.9 D = 2.6	1.25mm <sup>2</sup> = 1.44 1.5mm <sup>2</sup> = 1.51 2.0mm <sup>2</sup> = 1.64 2.5mm <sup>2</sup> = 1.77	E = 2.8 G = 3.9 D <sub>0.2</sub> = 1.7	H = 3.8 R = 2.3		MDC-Applicator 878180-2			3.3	4.3	5.8	18.8	0.4	⚠
927768-6	P	927777-6	CuSn4	vorversilbert min 1µm	FLR	>1.0-2.5	E = 3.6 G = 3.8 D <sub>0.2</sub> = 1.8	H = 4.7 K = 4.9 D = 2.6	1.25mm <sup>2</sup> = 1.44 1.5mm <sup>2</sup> = 1.51 2.0mm <sup>2</sup> = 1.64 2.5mm <sup>2</sup> = 1.77	E = 2.8 G = 3.9 D <sub>0.2</sub> = 1.7	H = 3.8 R = 2.3		MDC-Applicator 878180-2			3.3	4.3	5.8	18.8	0.4	⚠
927768-3	P	927777-3	CuFe2	vorversilbert min 1µm	FLR	>1.0-2.5	E = 3.6 G = 3.8 D <sub>0.2</sub> = 1.8	H = 4.7 K = 4.9 D = 2.6	1.25mm <sup>2</sup> = 1.44 1.5mm <sup>2</sup> = 1.51 2.0mm <sup>2</sup> = 1.64 2.5mm <sup>2</sup> = 1.77	E = 2.8 G = 3.9 D <sub>0.2</sub> = 1.7	H = 3.8 R = 2.3		MDC-Applicator 878180-2			3.3	4.3	5.8	18.8	0.4	⚠
2-927771-2	N	2-927779-2	CuSn4	vorversilbert min 1µm	FLR	>1.0-2.5	E = 3.6 G = 3.8 D <sub>0.2</sub> = 1.8	H = 4.7 K = 4.9 D = 2.6	1.25mm <sup>2</sup> = 1.44 1.5mm <sup>2</sup> = 1.51 2.0mm <sup>2</sup> = 1.64 2.5mm <sup>2</sup> = 1.77	E = 2.8 G = 3.9 D <sub>0.2</sub> = 1.7	H = 3.8 R = 2.3		MDC-Applicator 878180-2			3.3	4.3	5.8	18.8	0.4	⚠
2-927771-1	N	2-927779-1	CuFe2	vorversilbert min 1µm	FLR	>1.0-2.5	E = 3.6 G = 3.8 D <sub>0.2</sub> = 1.8	H = 4.7 K = 4.9 D = 2.6	1.25mm <sup>2</sup> = 1.44 1.5mm <sup>2</sup> = 1.51 2.0mm <sup>2</sup> = 1.64 2.5mm <sup>2</sup> = 1.77	E = 2.8 G = 3.9 D <sub>0.2</sub> = 1.7	H = 3.8 R = 2.3		MDC-Applicator 878180-2			3.3	4.3	5.8	18.8	0.4	⚠
1-927771-1	N	1-927779-1	CuFe2	vorversilbert min 1µm	FLR	>1.0-2.5	E = 3.6 G = 3.8 D <sub>0.2</sub> = 1.8	H = 4.7 K = 4.9 D = 2.6	1.25mm <sup>2</sup> = 1.44 1.5mm <sup>2</sup> = 1.51 2.0mm <sup>2</sup> = 1.64 2.5mm <sup>2</sup> = 1.77	E = 2.8 G = 3.9 D <sub>0.2</sub> = 1.7	H = 3.8 R = 2.3		MDC-Applicator 878180-2			3.3	4.3	5.8	18.8	0.4	⚠
927771-9	M	927779-9	CuSn4	vorversilbert min 1µm	FLR	0.5-1.0	E = 2.6 G = 2.8 D <sub>0.2</sub> = 1.1	H = 3.6 K = 3.9 D = 1.8	0.5mm <sup>2</sup> = 1.18 0.75mm <sup>2</sup> = 1.27 1.0mm <sup>2</sup> = 1.36	E = 2.2 G = 2.6 D <sub>0.2</sub> = 1.2	H = 2.8 K = 3.4 R = 1.6		MDC-Applicator 878181-2			3	4	5.5	18.8	0.4	⚠
927771-8	M	927779-8	CuSn4	vorversilbert min 1µm	FLR	0.5-1.0	E = 2.6 G = 2.8 D <sub>0.2</sub> = 1.1	H = 3.6 K = 3.9 D = 1.8	0.5mm <sup>2</sup> = 1.18 0.75mm <sup>2</sup> = 1.27 1.0mm <sup>2</sup> = 1.36	E = 2.2 G = 2.6 D <sub>0.2</sub> = 1.2	H = 2.8 K = 3.4 R = 1.6		MDC-Applicator 878181-2			3	4	5.5	18.8	0.4	⚠
927771-6	M	927779-6	CuSn4	vorversilbert min 1µm	FLR	0.5-1.0	E = 2.6 G = 2.8 D <sub>0.2</sub> = 1.1	H = 3.6 K = 3.9 D = 1.8	0.5mm <sup>2</sup> = 1.18 0.75mm <sup>2</sup> = 1.27 1.0mm <sup>2</sup> = 1.36	E = 2.2 G = 2.6 D <sub>0.2</sub> = 1.2	H = 2.8 K = 3.4 R = 1.6		MDC-Applicator 878181-2			3	4	5.5	18.8	0.4	⚠
927771-3	M	927779-3	CuFe2	vorversilbert min 1µm	FLR	0.5-1.0	E = 2.6 G = 2.8 D <sub>0.2</sub> = 1.1	H = 3.6 K = 3.9 D = 1.8	0.5mm <sup>2</sup> = 1.18 0.75mm <sup>2</sup> = 1.27 1.0mm <sup>2</sup> = 1.36	E = 2.2 G = 2.6 D <sub>0.2</sub> = 1.2	H = 2.8 K = 3.4 R = 1.6		MDC-Applicator 878181-2			3	4	5.5	18.8	0.4	⚠
2-927774-1	C	2-927776-1	CuSn4	vorversilbert min 1µm	FLR	0.2-0.5	E = 2.1 G = 2.1 D <sub>0.2</sub> = 0.8	H = 2.7 K = 2.8 D = 1.4	0.2mm <sup>2</sup> = 0.98 0.25mm <sup>2</sup> = 1.00 0.35mm <sup>2</sup> = 1.05 0.5mm <sup>2</sup> = 1.12	E = 1.7 G = 2.1 D <sub>0.2</sub> = 0.8	H = 2.2 K = 2.4 R = 1.3		MDC-Applicator 878332-2			2.5	3.5	5.6	18.8	0.4	⚠
1-927774-1	C	1-927776-1	CuFe2	vorversilbert min 1µm	FLR	0.2-0.5	E = 2.1 G = 2.1 D <sub>0.2</sub> = 0.8	H = 2.7 K = 2.8 D = 1.4	0.2mm <sup>2</sup> = 0.98 0.25mm <sup>2</sup> = 1.00 0.35mm <sup>2</sup> = 1.05 0.5mm <sup>2</sup> = 1.12	E = 1.7 G = 2.1 D <sub>0.2</sub> = 0.8	H = 2.2 K = 2.4 R = 1.3		MDC-Applicator 878332-2			2.5	3.5	5.6	18.8	0.4	⚠
927774-8	C	927776-8	CuSn4	vorversilbert min 1µm	FLR	0.2-0.5	E = 2.1 G = 2.1 D <sub>0.2</sub> = 0.8	H = 2.7 K = 2.8 D = 1.4	0.2mm <sup>2</sup> = 0.98 0.25mm <sup>2</sup> = 1.00 0.35mm <sup>2</sup> = 1.05 0.5mm <sup>2</sup> = 1.12	E = 1.7 G = 2.1 D <sub>0.2</sub> = 0.8	H = 2.2 K = 2.4 R = 1.3		MDC-Applicator 878332-2			2.5	3.5	5.6	18.8	0.4	⚠
927774-6	B	927776-6	CuSn4	vorversilbert min 1µm	FLR	0.2-0.5	E = 2.1 G = 2.1 D <sub>0.2</sub> = 0.8	H = 2.7 K = 2.8 D = 1.4	0.2mm <sup>2</sup> = 0.98 0.25mm <sup>2</sup> = 1.00 0.35mm <sup>2</sup> = 1.05 0.5mm <sup>2</sup> = 1.12	E = 1.7 G = 2.1 D <sub>0.2</sub> = 0.8	H = 2.2 K = 2.4 R = 1.3		MDC-Applicator 878332-2			2.5	3.5	5.6	18.8	0.4	⚠
927774-3	B	927776-3	CuFe2	vorversilbert min 1µm	FLR	0.2-0.5	E = 2.1 G = 2.1 D <sub>0.2</sub> = 0.8	H = 2.7 K = 2.8 D = 1.4	0.2mm <sup>2</sup> = 0.98 0.25mm <sup>2</sup> = 1.00 0.35mm <sup>2</sup> = 1.05 0.5mm <sup>2</sup> = 1.12	E = 1.7 G = 2.1 D <sub>0.2</sub> = 0.8	H = 2.2 K = 2.4 R = 1.3		MDC-Applicator 878332-2			2.5	3.5	5.6	18.8	0.4	⚠
2-963708-1	C	2-963777-1	CuSn4	vorversilbert min 1µm	FLR	0.08-0.2	E = 1.7 G = 1.7 D <sub>0.2</sub> = 0.6	H = 3.1 K = 3.2 D = 1.6	0.08mm <sup>2</sup> = 0.79 0.14mm <sup>2</sup> = 0.83 0.22mm <sup>2</sup> = 0.87	E = 1.5 G = 1.8 D <sub>0.2</sub> = 0.6			MDC-Applicator 878599-2			2.5	3.7	5.9	18.8	0.4	⚠
1-963708-1	C	1-963777-1	CuFe2	vorversilbert min 1µm	FLR	0.08-0.2	E = 1.7 G = 1.7 D <sub>0.2</sub> = 0.6	H = 3.1 K = 3.2 D = 1.6	0.08mm <sup>2</sup> = 0.79 0.14mm <sup>2</sup> = 0.83 0.22mm <sup>2</sup> = 0.87	E = 1.5 G = 1.8 D <sub>0.2</sub> = 0.6			MDC-Applicator 878599-2			2.5	3.7	5.9	18.8	0.4	⚠
963708-6	B	963777-6	CuSn4	vorversilbert min 1µm	FLR	0.08-0.2	E = 1.7 G = 1.7 D <sub>0.2</sub> = 0.6	H = 3.1 K = 3.2 D = 1.6	0.08mm <sup>2</sup> = 0.79 0.14mm <sup>2</sup> = 0.83 0.22mm <sup>2</sup> = 0.87	E = 1.5 G = 1.8 D <sub>0.2</sub> = 0.6			MDC-Applicator 878599-2			2.5	3.7	5.9	18.8	0.4	⚠
963708-3	B	963777-3	CuFe2	vorversilbert min 1µm	FLR	0.08-0.2	E = 1.7 G = 1.7 D <sub>0.2</sub> = 0.6	H = 3.1 K = 3.2 D = 1.6	0.08mm <sup>2</sup> = 0.79 0.14mm <sup>2</sup> = 0.83 0.22mm <sup>2</sup> = 0.87	E = 1.5 G = 1.8 D <sub>0.2</sub> = 0.6			MDC-Applicator 878599-2			2.5	3.7	5.9	18.8	0.4	⚠
963708-1	B	963777-1	CuFe2	vorversilbert min 1µm	FLR	0.08-0.2	E = 1.7 G = 1.7 D <sub>0.2</sub> = 0.6	H = 3.1 K = 3.2 D = 1.6	0.08mm <sup>2</sup> = 0.79 0.14mm <sup>2</sup> = 0.83 0.22mm <sup>2</sup> = 0.87	E = 1.5 G = 1.8 D <sub>0.2</sub> = 0.6			MDC-Applicator 878599-2			2.5	3.7	5.9	18.8	0.4	⚠

UNSEALD  
ungegedichtet

THIS DRAWING IS NOT SUBJECT TO CONSTANT CHANGING SERVICE AND DOES NOT LAY CLAIM TO BE COMPLETE. FOR DEFINITE SPECIFICATION SEE RESPECTIVE AMP CUSTOMER DRAWINGS. FURTHER VERSIONS ON INQUIRY

Diese Zeichnung unterliegt nicht dem ständigen Änderungsdienst und erhebt keinen Anspruch auf Vollständigkeit. Veränderte Angaben sind der jeweiligen AMP-Kundenzeichnung zu entnehmen. Weitere Ausführungen auf Anfrage.

TECHNICAL SERVICE	TECHNICAL SERVICE	TECHNICAL SERVICE	
-------------------	-------------------	-------------------	--

