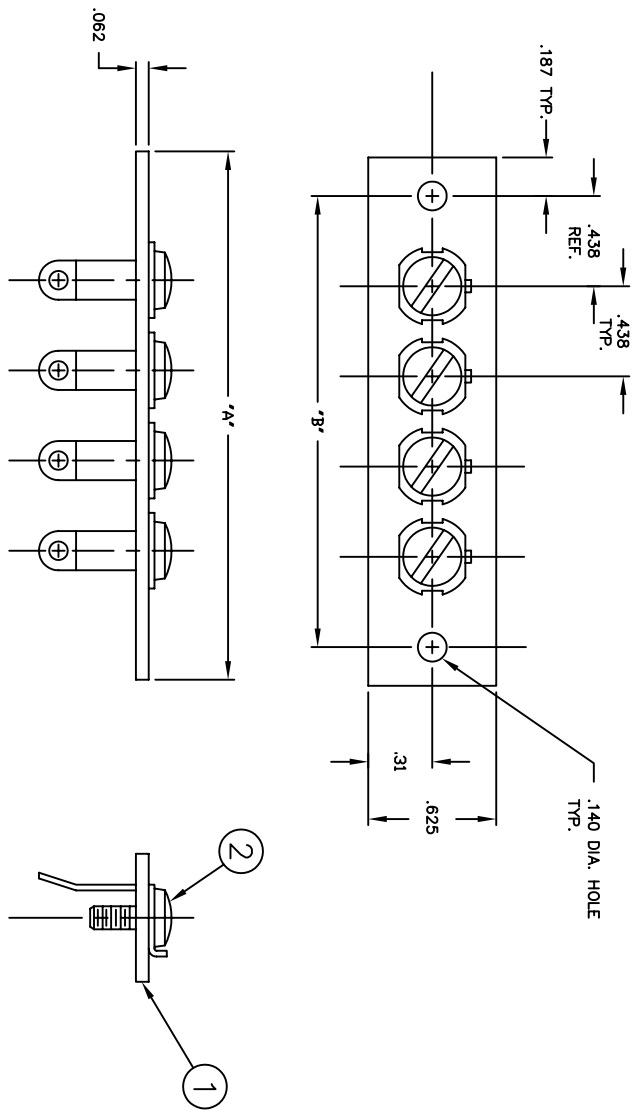


DET. QTY.	DESCRIPTION	MATERIAL	FINISH
1	B.P. BOARD	PHENOLIC	-
2	B.P. LUG	STEEL	TIN

REVISIONS		DATE	APPR
SYM	DESCRIPTION		



PART NO.	QTY. LUGS	FINISHED ASSEMBLY LIST		MOUNTING HOLES	TERMINALS
		QTY.	PART NO.		
914	1	1.25	.87	○	●
872	2	1.69	1.31	○	○
873	3	2.12	1.75	○	○
874	4	2.56	2.19	○	○
875	5	3.00	2.62	○	○
876	6	3.44	3.06	○	○
877	7	3.87	3.50	○	○
928	8	4.31	3.94	○	○
929	9	4.75	4.37	○	○
930	10	5.19	4.82	○	○

MATERIAL	"SEE TABLE"	FINISH	"SEE TABLE"
DIMENSIONAL TOLERANCES			
UNLESS OTHERWISE SPECIFIED			
XX	XX	XX	XX
FRACTIONS ANGLES SCALE			
		2X	
DRAWN BY E. FRANKLIN DATE 8-16-91			
CHECKED E. MCKINNEY DATE 8-21-91			
APPROVED D. MILLER DATE 8-21-91			
ABBATRON		Electronic Connectors and Hardware 632 Arch Street, Meadville, Pa. 16335	
SIZE	①	DRAWING NUMBER	SD-SMP-00206
ISSUE	F		