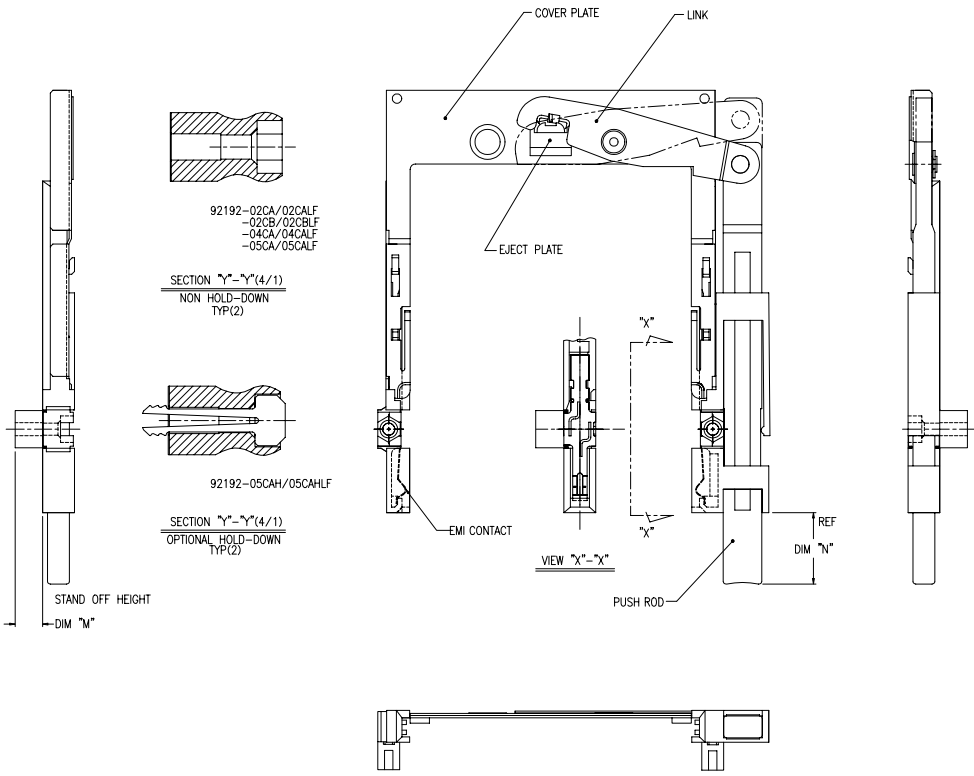






PRODUCT NO.	
92192-02CA/02CALF	⚠
92192-02CB/02CBLF	⚠
92192-04CA/04CALF	⚠
92192-05CA/05CALF	⚠
92192-05CAH/05CAHLF	⚠ ⚠

REVISIONS				
REV	DESCRIPTION	ECN	BY	DATE
A	RELEASED	J30053	N.T	2/17/93
B	REVISED	J40163	M.K	5/26/94
C	REVISED	V40840	M.K	7/ 5/94
D	REVISED	J40198	M.K	7/19/94
E	REVISED	V32113	M.K	12/20/94
F	REVISED	J40349	M.K	1/9/95
G	REVISED (ADDED -05CAH)	J70134	K.S	8/8/97
H	REVISED (ADDED LF)	905-0260	MZ	11/09/05
N				



NOTE

- EJECT PLATE MOVE ALONG INSIDE WALL OF COVER PLATE SMOOTHLY AFTER ASSEMBLING WITH HDR ASSY.

② MATERIAL

- GUIDE : POLYPHTHARAMID UL94V-0 BLACK
- PUSH ROD : FLAME RETARDANT UL94V-0 BLACK
- PLATE : STAINLESS
- EMI CONTACT : PHOSPHOR BRONZE
- STAND OFF : ZINC ALLOYS DIE CASTING

③ FINISH

- EMI CONTACT UNDER PLATING : 2.0µm MIN. Ni
- CONTACT AREA : 0.5µm MIN. Au
- STAND OFF : 3~5µm Ni OVER 5~10µm Cu.

SHEET INDEX	ISSUE SH. NO.	TOLERANCES UNLESS OTHERWISE SPECIFIED	MAT SEE NOTE ②	DR <i>J. Ono</i>	DATE 8/8/97	CUSTOMER COPY	TITLE
				ENGR <i>H. Seguchi</i>			68P EJECTOR HEADER TYPE 1 / 1 / 1
LINEAR			FINISH SEE NOTE ③	CHK		THRD ANGLE PROJ	MECHANISM ASSY
ANGLES			APPD			UNIT MM INCHES	SCALE 2/1 SIZE C DWG. NO. 92192 REV SHEET N 3 of

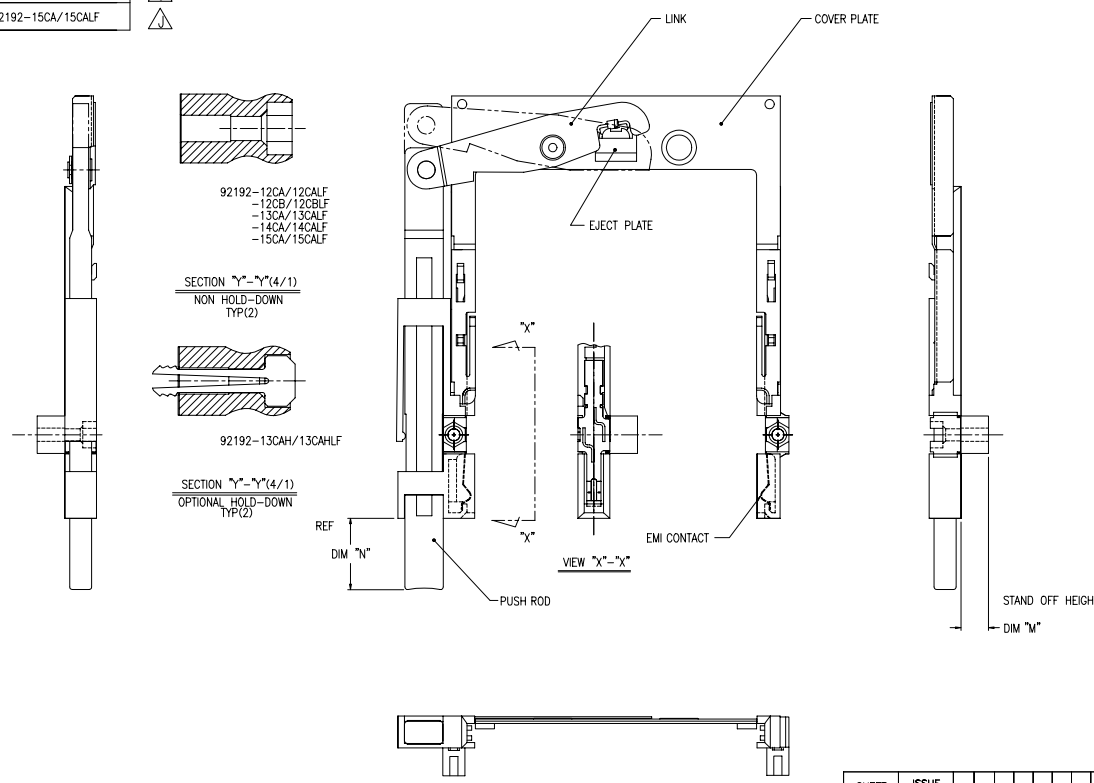


PDM: Rev:N STATUS Released Printed: Oct 12, 2010



PRODUCT NO.	
92192-12CAH/12CAHLF	△
92192-12CB/12CBLF	△
92192-12FA/12FALF	△
92192-13CA/13CALF	△
92192-13CAH/12CAHLF	△
92192-14CA/14CALF	△
92192-15CA/15CALF	△

REVISIONS				
REV	DESCRIPTION	ECN	BY	DATE
A	RELEASED	J33263	N.T	2/17/93
B	REVISED	J40163	M.K	5/26/94
C	REVISED	V46840	M.K	7/ 5/94
D	REVISED	J40198	M.K	7/19/94
E	REVISED	V32113	M.K	12/20/94
F	REVISED	J40349	M.K	1/9/95
G	REVISED (ADDED -13CA -13CAH)	J70134	K.S	8/8/97
H	REVISED (ADDED -12FA)	N90076	M.K	7/22/99
J	REVISED (ADDED "LF")	N05-0360	MZ	11/09/05
N				



SHEET INDEX	ISSUE	SH NO.	MAT	DATE	CUSTOMER	TITLE
				7/22/99		68P EJECTOR HEADER TYPE I / II / III MECHANISM ASSY
LINEAR	SEE NOTE ②	3/1	④/411			
ANGLES	SEE NOTE ③	3/1	④/411			



DO NOT SCALE PRINT THIS INFORMATION IS CONFIDENTIAL AND IS OBSOLETE TO YOU ON CONDITION THAT NO FURTHER DISCLOSURE IS MADE BY YOU TO OTHER THAN FCJ PERSONNEL WITHOUT WRITTEN AUTHORIZATION FROM FCJ JAPAN K.K.