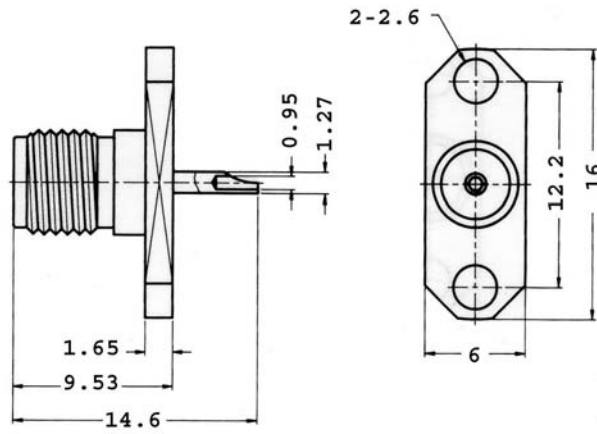


**PC Board / Panel Mount Types**

- Jack Panel Mount
- Flange 4 Hole Square
- Terminal Solder Pot

**P/N: 917A524**



**PC Board / Panel Mount Types**

- Mount Jack Panel
- Rectangular Flange 2 Hole
- Pot Terminal Solder

**P/N: 917B524**