

Copyright FCI



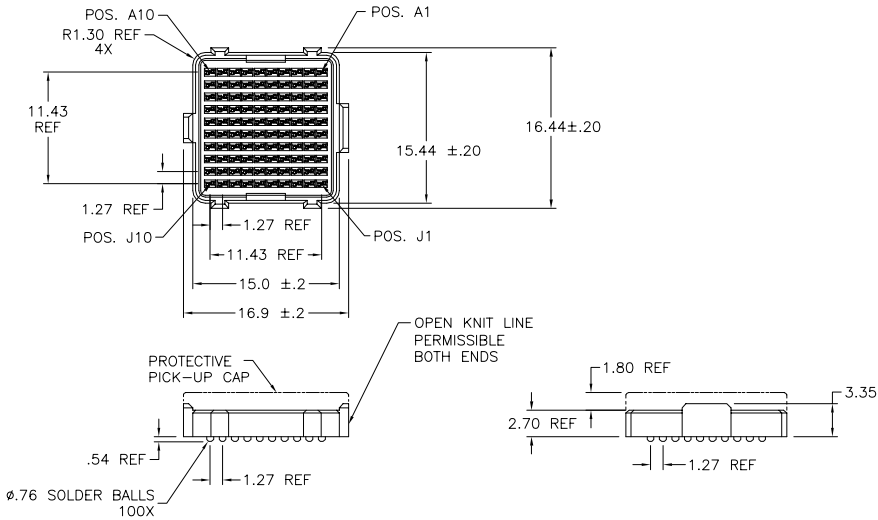
FCIconnect.com

1 | 2

3 |

4

PRODUCT No.	PICK-UP CAP	CONTACT PLATING	SOLDER BALL
84513-001	YES	15u" (.38um) Au OVER Ni	SnPb
84513-001LF			SnAgCu LEAD FREE (4)(5)
84513-101	YES	30u" (.76um) Au OVER Ni	SnPb
84513-101LF			SnAgCu LEAD FREE (4)(5)
84513-201	YES	SEE NOTE 3.	SnPb
84513-201LF			SnAgCu LEAD FREE (4)(5)



mat'l. code		surface	tolerance	projection	product family
		ASME Y14.5	ASME Y14.5		MEG-Array
ltr	ecn no	dr	date	tolerances unless otherwise specified	title
H	v07-0663	LP	2007/10/29	angles	4mm RECEPT. ASSY.
C	v20949	DAI	8-20-02	0° ±2°	10 X 10 = 100 POS.
D	v03-0680	DAI	06/19/03	dr	D.WAUGHEN 3-8-00
E	v04-0940	VS	10/18/04	enqr	B.SPINK 3-8-00
F	v05-1071	DAI	12/21/05	chr	B.SPINK 3-8-00
G	v06-0560	LP	7/14/06	appd	B.SPINK 3-8-00
sheet	revision	H	H	H	FCI
index	sheet	1	2	3	

form: A4mmX1c

1 |

2 |

3 |

4

PDM: Rev:H

STATUS:Released

Printed: Dec 01, 2010

NOTES:

① MAT'L

HOUSING: LCP  
CONTACT: COPPER ALLOY

PLATING

CONTACT: (SEE TABLE ON SHEET1)  
SOLDER BALL: (SEE TABLE ON SHEET1)  
EUTECTIC SnPb OR LEAD FREE  
95.5Sn/4Ag/0.5Cu

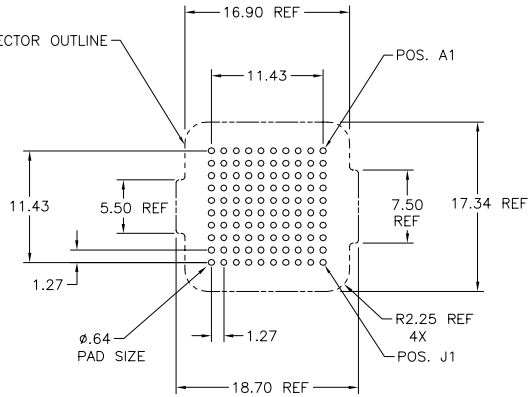
2. OVERALL BOARD-TO-BOARD STACK  
HEIGHT WHEN MATED TO P/N 84512  
100 POSITION 0mm RECPT. IS 4.0mm REF.

3. PLATING FOR -2XX SERIES DASH NOS. MEETS  
THE REQUIREMENTS OF NORTEL NPS25298-2  
(CENTRAL OFFICE ENVIRONMENT, 25 YEAR  
LIFE EXPECTANCY).

④ FOR PROPER APPLICATION FOLLOW FCI APPLICATION  
SPECIFICATION GS-20-033 LEAD FREE SOLDER BALLS WILL  
NOT SOLDER PROPERLY IN A LEADED SOLDER PROCESS  
DUE TO A HIGHER REFLOW TEMPERATURE. LEAD FREE  
PRODUCT IS THEREFORE NOT BACKWARDS COMPATIBLE WITH  
LEADED OR SOME SOLDERING APPLICATIONS. REFERENCE  
FCI APPLICATION SPECIFICATION

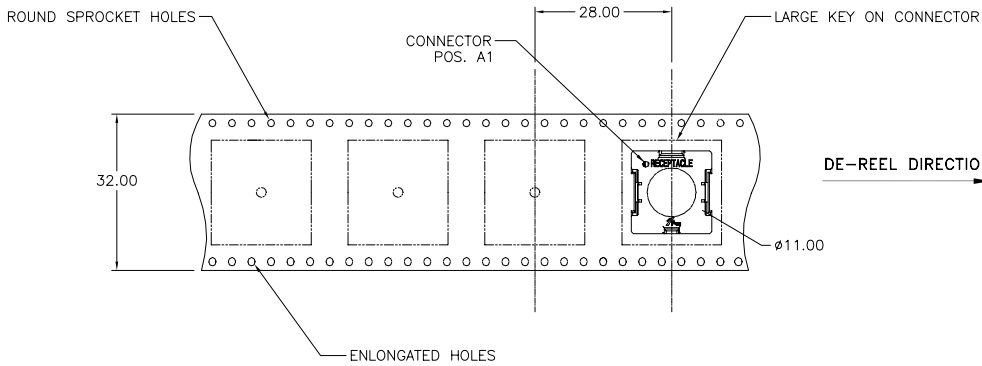
⑤ THIS PRODUCT MEETS EUROPEAN UNION DIRECTIVES AND  
OTHER COUNTRY REGULATIONS AS DESCRIBED IN GS-22-008  
PRODUCT MEETING THIS DIRECTIVE IS IDENTIFIED IN THE LOT  
CODE NUMBER MARKED ON EACH PART BY HAVING AN "X"  
IN THE SEVENTH CHARACTER POSITION

STENCIL MATED CONNECTOR OUTLINE  
ONTO BOARD.



BOARD PATTERN

mat'l code		surface		tolerance		projection		product family	
		ASME Y14.5		ASME Y14.5		MM		MEG-Array	
tr		ecn no		date		angles		title	
						X ±3		4mm RECPT. ASSY.	
H						.XX ±10		10 X 10 = 100 POS.	
						XXX ±050		sheet 2 of 3	
						scale 1:1		size A4	
				dr		D.WAUGHEN		84513	
				engr		B.SPINK		CUSTOMER Drawing	
				chr		B.SPINK			
				appd		B.SPINK			
sheet index		revision sheet							



mat'l. code		surface		tolerance		projection		product family	
-		ASME Y14.5		ASME Y14.5				MEG-Array	
ltr	ec'n no	dr	date	tolerances unless otherwise specified					
H				angles	X +3		MM		
				or ±2°	.XX +10		scale 1:1		
					.XXX +050				
		dr	D.WAUGHEN	3-8-00	title				
		engr	B.SPINK	3-8-00	4mm RECPT. ASSY.				
		chr	B.SPINK	3-8-00	10 X 10 = 100 POS.				
		appd	B.SPINK	3-8-00	dwg no 84513 sheet 3 of 3 size A4				
sheet index		revision sheet		type CUSTOMER Drawing					