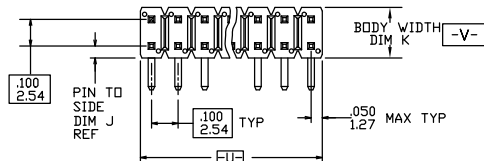


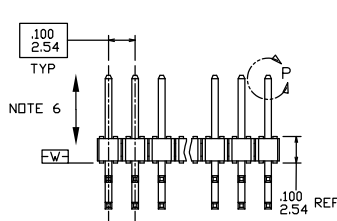
PRODUCT NUMBER

XXXXX-YYYHILF

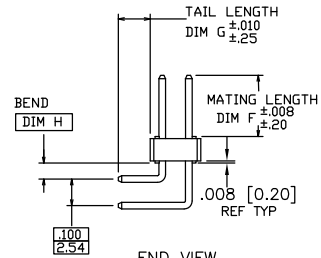
- LEAD FREE OPTION
SEE NOTE 1,11
- TUBE PACKAGING OPTION
SEE NOTE 1
- HIGH TEMPERATURE PLASTIC
SEE NOTE 1
- NO OF POSITIONS
SEE NOTE 1
- PIN PLATING
SEE SHEET 2
- BASE PART NO.



TOP VIEW

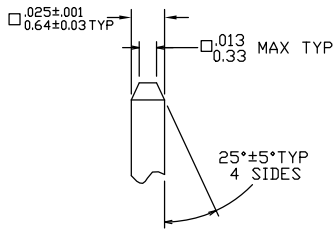


SIDE VIEW



END VIEW

⌀ .020/.51 M U M V S W
NOTE 4



DETAIL P
TYP BOTH ENDS

rev	ecn no	dr	date
AB	V20801	MHT	4/29/02
AC	M04-0234	AGS	12/29/05
AD	M05-0072	MHT	5/03/05
AE	M06-0269	MHT	7/17/06
AF	M06-0346	MHT	9/04/06
AG	M08-0291	MHT	10/06/08
AH	N11-0118	J.Z	2011-04-12

www.fciconnect.com		surface 6,4 ISO 1302	tolerance std ISO 406 ISO 1101	projection A	INCH/MM
Dr D. WITTING 4/08/93		ANGULAR	0.X ±0.3	size A4	Scale 1.000
Eng T.HANNA 4/08/93		LINEAR	0.XX ±0.15	ECN N11-0118	
Chr T.HANNA 4/08/93		0° ±2°	0.XXX ±0.05	Spec ref	
Appr T.HANNA 4/08/93		Product family	BERGSTIK		
FCJ		BERGSTIK® II HEADER .100 DR R/A SELF-RET		69193	Rev. AH
catalog no		CUSTOMER		sheet 1 of 4	

FDM: Rev:AH

STATUS Released 4 Printed: Apr 20, 2011

REV 7 - 2004-07

1

2



Copyright FCJ.

PIN PLATING CODES:	
XXXX-1YY	30u"/0.76u MIN (SEE NOTE 12) OVER 50u"/1.27u MIN Ni
XXXX-2YY	15u"/0.38u MIN (SEE NOTE 12) OVER 50u"/1.27u MIN Ni
XXXX-3YY	50u"/1.27u MIN (SEE NOTE 12) OVER 50u"/1.27u MIN Ni
XXXX-4YY	100u"/2.54u MIN Sn OVER 50u"/1.27u MIN Ni (SEE NOTE 13)
XXXX-4YYHLF	
XXXX-5YY	15u"/0.38u MIN (SEE NOTE 12) OVER 50u"/1.27u MIN Ni
XXXX-6YY	30u"/0.76u MIN (SEE NOTE 12) OVER 50u"/1.27u MIN Ni
XXXX-7YY	30u"/0.76u MIN (SEE NOTE 12) OVER 50u"/1.27u MIN Ni
XXXX-8YY	15u"/0.38u MIN (SEE NOTE 12) OVER 50u"/1.27u MIN Ni
XXXX-9YY	15u"/0.38u MIN (SEE NOTE 12) OVER 50u"/1.27u MIN Ni
XXXX-0YY	30u"/0.76u MIN (SEE NOTE 12) OVER 50u"/1.27u MIN Ni

NOTES

1. PART NUMBER OPTIONS:

PIN PLATING CODES (SEE ABOVE)

HIGH TEMP. MATERIAL:

FOR HIGH-TEMPERATURE APPLICATIONS, SPECIFY AN "H" AT THE END OF THE PART NUMBER, AND PCT WILL BE SUPPLIED.

NUMBER OF POSITION:

ANY NUMBER OF POSITIONS FROM 2 (2X1) THRU 72 (2X36).

PACKAGING:

PACKAGED IN POLY BAGS. EIGHT DIGIT PART NUMBERS FOLLOWED BY A "T" ARE PACKAGED IN TUBES. SEE SPECIFIC PART NUMBERS FOR AVAILABILITY.

LEAD FREE:

ADD "HLF" SUFFIX AT THE END OF PART NUMBER FOR LEAD FREE OPTION, NOT AVAILABLE FOR -5YY, -5YYH, -6YY & -6YYH.

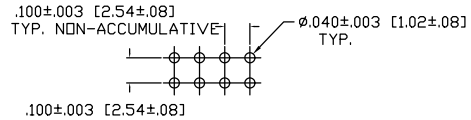
2. BODY MATERIAL:

MANUFACTURER'S OPTION OF NYLON OR PCT, GLASS FIBER REINFORCED, FLAME RETARDANT PER UL-94V-0. COLOR: BLACK OR MINERAL FILLED LCP, COLOR BLACK FLAME RETARDANT PER UL-94V-0.

PART NUMBERS WITH "H" SUFFIX WILL WITHSTAND EXPOSURE TO 260°C PEAK TEMPERATURE FOR 20 SECONDS IN WAVE SOLDER, INFRA-RED OR VAPOR PHASE SOLDER PROCESS.

PART NUMBERS WITHOUT "H" SUFFIX WILL WITHSTAND EXPOSURE TO 260°C PEAK TEMPERATURE FOR WAVE SOLDER PROCESS.

- 3. PIN MATERIAL: PHOS-BRONZE.
- 4. MEASURED WITH PART IN RESTRAINED CONDITION.
- 5. TWO SIDES OF PIN TIPS NOT PLATED. TYPICAL BOTH ENDS.
- 6. 2LBS/0.9KG MIN PIN RETENTION IN EITHER DIRECTION.
- 7. ±.010/0.25 TOL. APPLIES TO ALL "G" TAILS EXCEPT INDICATED PARTS ON TABLE WHERE +.010/0.25, -.000/0.00 APPLIES.
- 8. SECTION R-R DIMENSIONS APPLY SPECIFIED ENDS OF RETENTION PIN POSITIONS ONLY. SEE PRODUCT PART NUMBER FOR SINGLE OR DUAL SIDE RETENTION LOCATED AT MANUFACTURES OPTION.
- 9. SECTION S-S DIMENSIONS APPLY TO DUAL RETENTION PIN POSITIONS ONLY, SEE PRODUCT PART NUMBER FOR SINGLE OR DUAL SIDE RETENTION. LOCATED AT MANUFACTURES OPTION.
- 10. 5LB/2.3KG MAX INSERTION FORCE AND .25LB/.1KG MIN RETENTION FORCE PER RETENTIVE PIN USING .062/1.57 THICK CIRCUIT BOARDS AND RECOMMENDED HOLE PATTERN.
- 11. THESE PRODUCTS MEETS EUROPEAN UNION DIRECTIVES AND OTHER COUNTRY REGULATION AS DESCRIBED IN GS-22-008.
- 12. PLATING OPTIONS: PERFORMANCE PLATING WILL BE EITHER GOLD OR GXT ON POST OR TAIL, OPTIONALLY (78~295u"/2~7.5u") TIN ON TAIL.
- 13. THIS PRODUCT HAS 100% TIN PLATING IN THE INTERFACE AND HAS NOT BEEN TESTED FOR WHISKER GROWTH IN ALL INTERCONNECT ENVIRONMENTS.



RECOMMENDED HOLE PATTERN

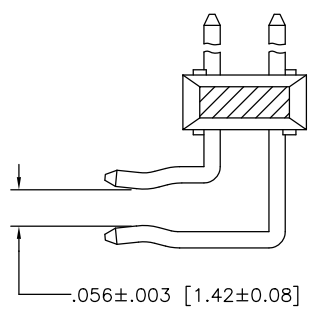
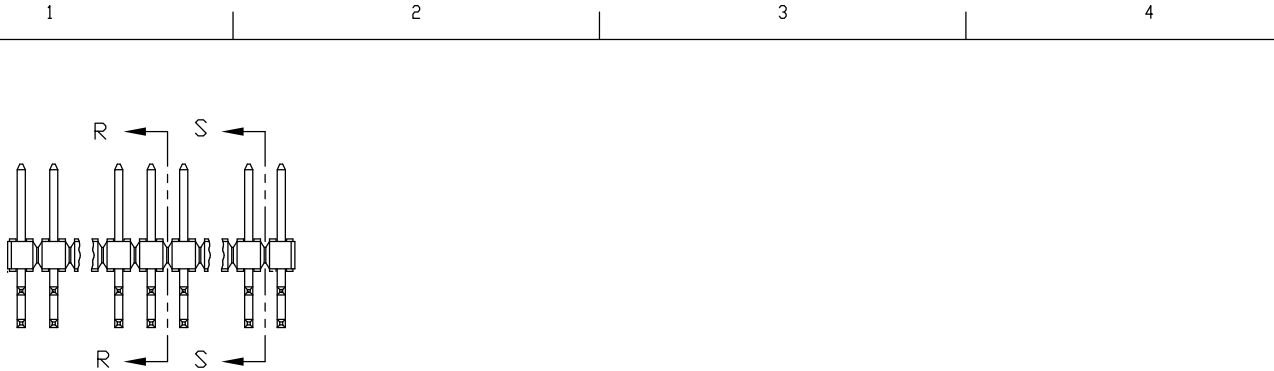
www.fciconnect.com		surface ISO 1302 ✓	tolerance std ISO 406 ISO 1101	projection A	INCH/MM
		TOLERANCES UNLESS OTHERWISE SPECIFIED			
Dr	D. WITHING	4/08/93	ANGULAR	LINEAR	0X ±0.3 0XX ±0.15 0XXX ±0.05
Eng	T.HANNA	4/08/93	0° ±2°		size A4 Scale 1:000
Chr	T.HANNA	4/08/93			ECN N11-0118
Appr	T.HANNA	4/08/93	Product family	BERGSTIK	Spec ref
FCI	BERGSTIK® II HEADER		69193		Rev. AH
	.100 DR R/A SELF-RET		CUSTOMER		sheet 2 of 4
catalog no					



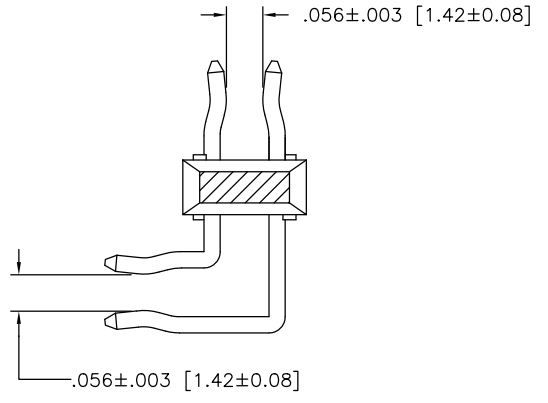
Copyright FCI.



Copyright FCI.



SECTION R-R
NOTE 8



SECTION S-S
NOTE 9

www.fciconnect.com		surface ISO 1302 ✓	tolerance std ISO 406 ISO 1101	projection ISO 406 ISO 1101	INCH/MM
TOLERANCES UNLESS OTHERWISE SPECIFIED		ANGULAR	LINEAR	size A4	Scale 1.000
Dr	D. WITTING	4/08/93	0x	±0.3	ECN N11-0118
Eng	T.HANNA	4/08/93	0.xx	±0.15	
Chr	T.HANNA	4/08/93	0° ±2°	0.xxx	±0.05
Appr	T.HANNA	4/08/93	Product family	BERGSTIK	Spec ref
FCI	title	BERGSTIK® II HEADER .100 DR R/A SELF-RET		part no	69193
	catalog no	CUSTOMER		sheet 3 of 4	Rev. AH

REV 7 - 2004-07

PRODUCT NUMBER	1		2				3				4			
	MATING LENGTH		TAIL LENGTH		BEND DIM.		PIN TO SIDE		BODY WIDTH		RETENTION			LF OPTION
	DIM F	DIM F	DIM G	DIM G	DIM H	DIM H	DIM J	DIM J	DIM K	DIM K	LOCATION	PACKAGING	NOTES	
	ENGLISH	METRIC	ENGLISH	METRIC	ENGLISH	METRIC	ENGLISH	METRIC	ENGLISH	METRIC				
69193-YYY	0.230	5.84	0.120	3.05	0.060	1.52	0.045	1.14	0.190	4.83	G TAIL	POLY BAGS	-	NOTE 1,11
78253-YYY														
78276-YYY	0.318	8.08	0.120	3.05	0.060	1.52	0.070	1.78	0.240	6.10	G TAIL	POLY BAGS/TUBES	-	
78299-YYY	0.230	5.84	0.120	3.05	0.060	1.52	0.070	1.78	0.240	6.10	G TAIL	POLY BAGS/TUBES	-	
86381-YYY	0.250	6.35	0.120	3.05	0.060	1.52	0.070	1.78	0.240	6.10	G TAIL	POLY BAGS	-	
87227-YYY	0.318	8.08	0.120	3.05	0.060	1.52	0.045	1.14	0.190	4.83	G TAIL	POLY BAGS	-	
87801-YYY														
87845-YYY	0.230	5.84	0.085	2.16	0.060	1.52	0.070	1.78	0.240	6.10	G TAIL	POLY BAGS/TUBES	7	
90305-YYY	0.165	4.19	0.120	3.05	0.060	1.52	0.070	1.78	0.240	6.10	G TAIL	POLY BAGS/TUBES	7	
93150-YYY	0.275	6.99	0.120	3.05	0.060	1.52	0.045	1.14	0.190	4.83	G TAIL	POLY BAGS	-	
93240-YYY	0.338	8.59	0.120	3.05	0.060	1.52	0.070	1.78	0.240	6.10	G TAIL	POLY BAGS	-	
94048-YYYH	0.380	9.65	0.120	3.05	0.060	1.52	0.070	1.78	0.240	6.10	G TAIL	POLY BAGS	-	NOTE 1,11

www.fciconnect.com		surface ISO 1302 <input checked="" type="checkbox"/>	tolerance std ISO 406 ISO 1101	projection 	INCH/MM ← →
		TOLERANCES UNLESS OTHERWISE SPECIFIED			
Dr	D. WITTING	4/08/93	ANGULAR	0X	±0.3
Eng	T.HANNA	4/08/93	LINEAR	0XX	±0.15
Chr	T.HANNA	4/08/93	0° ±2°	0XXX	±0.05
Appr	T.HANNA	4/08/93	Product family	BERGSTIK	Spec ref
	title	BERGSTIK® II HEADER .100 DR R/A SELF-RET		part no	69193
	catalog no			CUSTOMER	sheet 4 of 4

REV 7 - 2004-07

FDM: Rev:AH STATUS Released 4 Printed: Apr 20, 2011