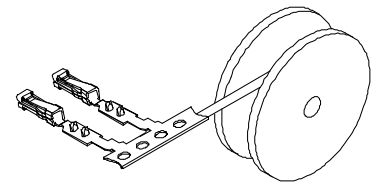
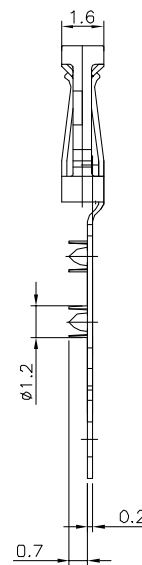
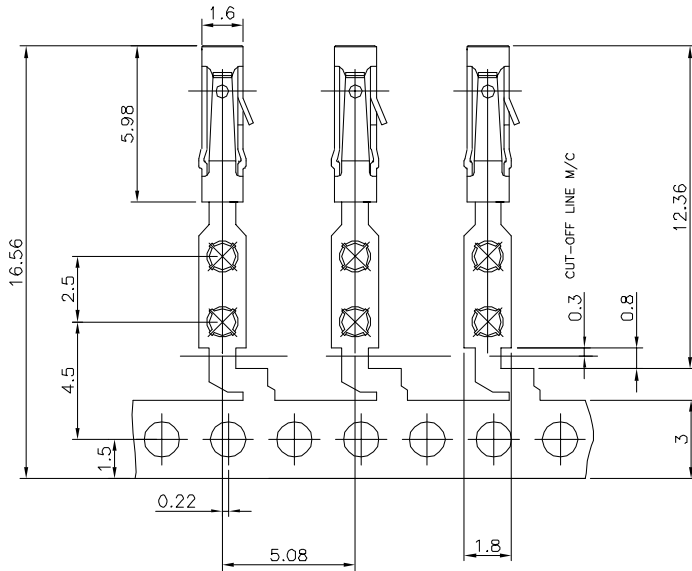


PRODUCT NUMBER	QUANTITY PER REEL	PACKAGING
76785-Y01(LF)	15000	CARDBOARD REEL
76785-Y11(LF)	3000	CARDBOARD REEL

WHEN NEEDED, SUFFIX LETTER "LF" INDICATES THE PRODUCT IS RoHS COMPATIBLE, SEE NOTE 3



REELING AFTER STAMPING



NOTES:

- 1 - MATERIAL: PHOSPHOR BRONZE, EXTRA HARD
 - 2 - FOR APPLICATION DATA, SEE TA 338
 - 3 - RoHS COMPATIBLE PRODUCT SPECIFICATIONS
 - a - PLATING:
 - "LF" MEANS THE PRODUCT IS LEAD-FREE, 2µm MINIMUM MATTE TIN OVER 1.27µm MINIMUM NICKEL UNDERPLATE.
 - b - LABELING:
 - MEETS PACKAGING SPECS AS PER GS-14-920
 - c - LEGAL STATEMENT: SEE GS-22-008
- THE PRODUCT IS NOT INTENDED TO BE EXPOSED TO A MANUFACTURING SOLDER PROCESS.

76785-3XXLF	0.75µm Au MIN. OVER 1.3µm Ni MIN.	Sn OVER Ni	0.3 N MIN 0.6 N MAX
76785-4XXLF	5µm Sn MIN. OVER 1.27µm Ni MIN.	Sn OVER Ni	0.3 N MIN 0.6 N MAX
76785-3XX	0.75µm Au MIN. OVER 1.3µm Ni MIN.	SnPb OVER Ni	0.3 N MIN 0.6 N MAX
76785-4XX	5µm SnPb MIN. OVER 0.1µm Ni MIN.	SnPb OVER Ni	0.3 N MIN 0.6 N MAX
PLATING CODE	CONTACT AREA	SOLDER TAIL	WITHDRAWAL FORCE USING SQUARE PIN 0.61
PLATING EXPLANATION			

matl. code	SEE NOTE	surface	tolerance	projection	product family
lit locn no	date	isp	∇	100 488 09	DUFLEX
M F05-0286	05.11.07	05.11.07	05.11.07	05.11.07	DUFLEX
N F06-0198	06.06.13	06.06.13	06.06.13	06.06.13	DUFLEX
dr	D LEONARDI	06.06.13			dvg no
engr	P NIZZI	06.06.13			76785
chr	D LE	06.06.13			sheet 1 of 1 size
DDP	P NZ	06.06.13			A2
sheet index	revision sheet				Type Product Customer Drawing