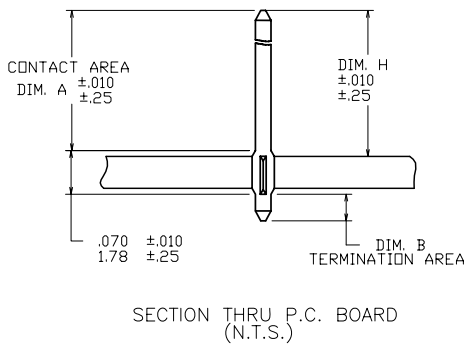
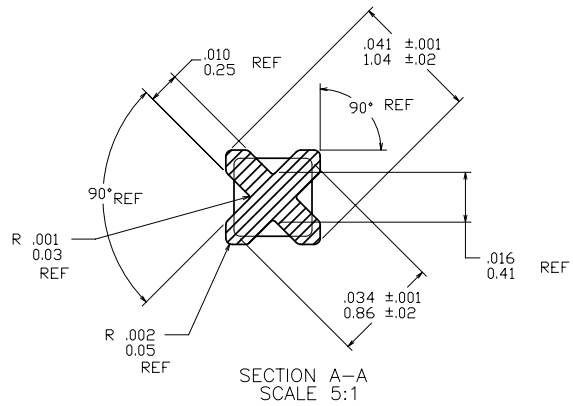
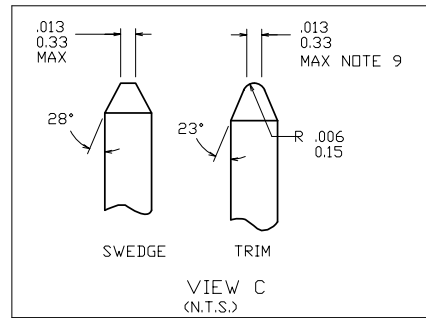
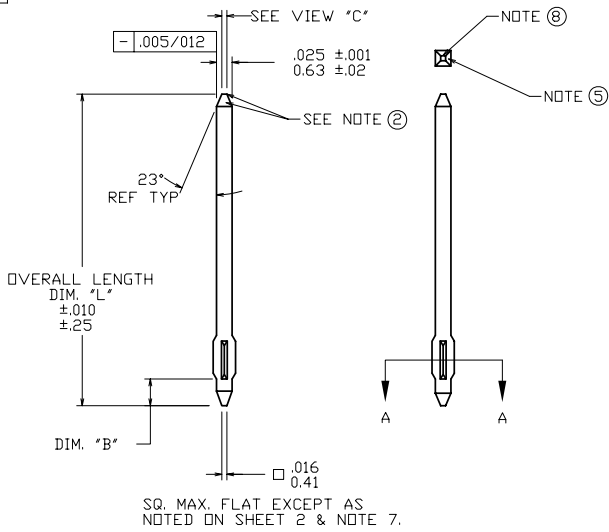


PRODUCT NUMBER
SEE TABLE



mat'l. code		surface		tolerance		projection		product family	
SEE NOTE 1		ASME Y14.5 ✓		ASME Y14.5		INCH/MM		PIN PRODUCTS	
ltr	ec'n no	dr	date	tolerances unless otherwise specified		INCH/MM		title	
S	V08-0354	HTB	2008-08-22	angles	XXX*01/XX*3	INCH/MM		BERGPIN® LOOSE PIECE	
-	-	-	-	fin	XXX*005/XXX*18	scale 5:1		.041" [1.04] DIA. STAR	
L	V71498	HTB	1997-10-28	0°±2'	XXXX*0020/XXX*051	FCJ		dwg no 76201	
M	V80743	SAR	1998-05-01	dr	J. SHREINER	1990-01-08		sheet 1 of 4 size A4	
N	V01594	JRW	2000-07-12	engr	K.D. PATEL	1990-01-08		type CUSTOMER Drawing	
P	V05-0375	VS	2005-04-22	chr	K.D. PATEL	1990-01-08			
R	V06-0684	HTB	2006-07-24	appd	K.D. PATEL	1990-01-08			
sheet	revision	S	S	S	S				
index	sheet	1	2	3	4				



PART NUMBER	PLATING	UNDERPLATING
76201-YYY	30μ" [0.76μ] MIN Au	50μ" [1.27μ] MIN Ni
76201-YYLF		
76202-YYY	U N A S S I G N E D	
76203-YYY	50μ" [1.27μ] MIN Au	50μ" [1.27μ] MIN Ni
76203-YYLF		
76204-YYY	120μ" [3.05μ] MIN 93/7 SnPb	50μ" [1.27μ] MIN Ni
76204-YYLF	100μ" [2.54μ] MIN Sn	50μ" [1.27μ] MIN Ni
76205-YYY	30μ" [0.76μ] MIN GXT™	50μ" [1.27μ] MIN Ni
76205-YYLF		
76206-YYY	15μ" [0.38μ] MIN GXT™	50μ" [1.27μ] MIN Ni
76206-YYLF		
76207-YYY	U N A S S I G N E D	
76208-YYY	U N A S S I G N E D	
76209-YYY	15μ" [0.38μ] MIN Au	50μ" [1.27μ] MIN Ni
76209-YYLF		

NOTE 6 — DISCONTINUED
NOTE 13

NOTES.

- ①. PIN MATERIAL : PHOS BRONZE 3/4 HARD
- ②. BURNISH MARKS ON PIN PERMITTED. BURR .003 [0.07] MAX. BULGE .0005 [0.013] MAX. TYP.
3. SEE PRODUCT SPECIFICATION BUS-12-064 FOR P.C. BOARD HOLE DIAMETER AND P.C. BOARD HOLE PLATING INFORMATION.
4. THE .041±.001 [1.04±.02] FEATURE SHALL BE CONCENTRIC TO THE WIRE DIAGONAL WITHIN .004 [0.10] T.I.R.
- ⑤. .002 [0.05] R. MAX TYP 4 PLACES ON WIRE WRAP PORTION OF PIN.
6. 76204-YYY IS NOT RoHS COMPLIANT.
- ⑦. DOUBLE ENDED PINS AS MARKED MUST MEET SPEC. ON VIEW C ON BOTH ENDS.
- ⑧. TWO SIDES OF LEAD-IN NOT PLATED TYP BOTH ENDS.
- ⑨. .016 [0.41] MAX. DIM. IF "B" END LESS THAN .230 [1.34].
10. CENTERLINE OF TERMINAL MUST BE IN TRUE POSITION WITHIN .016 [0.41] DIA. WITH RESPECT TO THE HOLE AXIS AFTER INSERTION IN P.C. BOARD.
- ⑪. DIMENSION LISTED IS REF DIM FOR .062 [1.57] BOARD ONLY
H = A-.010 [0.25] FOR .093 [2.36] BOARD
H = A-.025 [0.64] FOR .125 [3.18] BOARD
- ⑫. ADD AN LF SUFFIX TO PART NUMBER FOR PRODUCT THAT MEETS EUROPEAN UNION DIRECTIVES AND OTHER COUNTRY REGULATIONS AS DESCRIBED IN GS-22-008.
- ⑬. THIS PRODUCT HAS 100% TIN PLATING IN THE INTERFACE AND HAS NOT BEEN TESTED FOR WHISKER GROWTH IN ALL INTERCONNECT ENVIRONMENTS.

mat'l code	SEE NOTE 1	surface ASME Y14.5 ✓	tolerance ASME Y14.5	projection	product family
ltr	ec'n no	dr	date	tolerances unless otherwise specified	PIN PRODUCTS
s				angles	title
				0°±2'	BERGPIN® LOOSE PIECE
				dr J. SHREINER 1990-01-09	.041"[1.04] DIA. STAR
				engr K.D. PATEL 1990-01-09	dwg no
				chr K.D. PATEL 1990-01-09	76201
				appd K.D. PATEL 1990-01-09	sheet 2 of 4
sheet index	revision sheet			scale 1:1	A4
				FCJ	type
					CUSTOMER Drawing

Copyright FCI



FCIconnect.com

1 | 2

3

4

PRODUCT NUMBER	CONTACT AREA		TERMINATION AREA		NOTE 11		OVERALL LENGTH		NOTES
	DIM A	DIM A	DIM B	DIM B	DIM H	DIM H	DIM L	DIM L	
NOTE 12	ENGLISH	METRIC	ENGLISH	METRIC	ENGLISH	METRIC	ENGLISH	METRIC	
7620X-001	0.278	7.06	0.042	1.07	0.283	7.19	0.390	9.91	-
7620X-002	0.308	7.82	0.042	1.07	0.313	7.95	0.420	10.67	-
7620X-003	0.285	7.24	0.075	1.91	0.290	7.37	0.430	10.92	-
7620X-004	0.315	8.00	0.055	1.40	0.320	8.13	0.440	11.18	-
7620X-005	0.315	8.00	0.075	1.91	0.320	8.13	0.460	11.68	-
7620X-006	0.368	9.35	0.042	1.07	0.373	9.47	0.480	12.19	-
7620X-007	0.375	9.53	0.055	1.40	0.380	9.65	0.500	12.70	-
7620X-008	0.315	8.00	0.125	3.18	0.320	8.13	0.510	12.95	NOTE 7
7620X-009	0.405	10.29	0.042	1.07	0.410	10.41	0.517	13.13	-
7620X-010	0.315	8.00	0.155	3.94	0.320	8.13	0.540	13.72	NOTE 7
7620X-011	0.428	10.87	0.042	1.07	0.433	11.00	0.540	13.72	-
7620X-012	0.475	12.07	0.055	1.40	0.480	12.19	0.600	15.24	-
7620X-013	0.405	10.29	0.135	3.43	0.410	10.41	0.610	15.49	NOTE 7
7620X-014	0.508	12.90	0.042	1.07	0.513	13.03	0.620	15.75	-
7620X-015	0.698	17.73	0.042	1.07	0.703	17.86	0.810	20.57	-
7620X-016	0.760	19.30	0.040	1.02	0.763	19.38	0.870	22.10	-
7620X-017	0.315	8.00	0.255	6.48	0.320	8.13	0.640	16.26	NOTE 7
7620X-018	0.405	10.29	0.055	1.40	0.410	10.41	0.530	13.46	-
7620X-019	0.443	11.25	0.315	8.00	0.448	11.38	0.828	21.03	NOTE 7
7620X-020	0.631	16.03	0.315	8.00	0.636	16.15	1.016	25.81	NOTE 7
7620X-021	0.315	8.00	0.179	4.55	0.320	8.13	0.564	14.33	NOTE 7
7620X-022	0.625	15.88	0.245	6.22	0.630	16.00	0.940	23.88	NOTE 7
7620X-023	0.230	5.84	0.045	1.14	0.235	5.97	0.345	8.76	-
7620X-024	0.575	14.61	0.045	1.14	0.580	14.73	0.690	17.53	-
7620X-025		U N A	S S I G	N E D					
7620X-026	0.625	15.88	0.355	9.02	0.630	16.00	1.050	26.67	-
7620X-027		U N A	S S I G	N E D					
7620X-028		U N A	S S I G	N E D					
7620X-029	0.755	19.18	0.337	8.56	0.760	19.30	1.162	29.51	-
7620X-030	0.490	12.45	0.140	3.56	0.495	12.57	0.700	17.78	NOTE 7
7620X-031	0.590	14.99	0.140	3.56	0.595	15.11	0.800	20.32	NOTE 7
7620X-032	0.298	7.57	0.052	1.32	0.303	7.70	0.420	10.67	-
7620X-033	0.398	10.11	0.042	1.07	0.403	10.24	0.510	12.95	-
7620X-034	0.468	11.89	0.042	1.07	0.473	12.01	0.580	14.73	-
7620X-035	0.468	11.89	0.502	12.75	0.473	12.01	1.040	26.42	NOTE 7

mat'l. code	SEE NOTE 1	surface	tolerance	projection	product family
l/r	ec'n no	dr	date	ASME Y14.5 ✓ ASME Y14.5	PIN PRODUCTS
s				tolerances unless otherwise specified	title
				angles	BERGPIN® LOOSE PIECE
				0°±2'	.041" [1.04] DIA. STAR
				dr T. BREWBAKER 1996-07-02	scale 1:1
				enrg L. FYE 1996-07-02	FCI
				chr T. BREWBAKER 1996-07-02	dwg no 76201 sheet 3 of 4 size A4
				appd L. FYE 1996-07-02	type CUSTOMER Drawing
sheet index	revision sheet				

form A4mmXlc

1

2

3

4

Copyright FCJ



FCJconnect.com

1 | 2

3

4

PRODUCT NUMBER	CONTACT AREA		TERMINATION AREA		NOTE 11		OVERALL LENGTH		NOTES
	DIM A	DIM A	DIM B	DIM B	DIM H	DIM H	DIM L	DIM L	
NOTE 12	ENGLISH	METRIC	ENGLISH	METRIC	ENGLISH	METRIC	ENGLISH	METRIC	
7620X-036	0.305	7.75	0.315	8.00	0.313	7.95	0.690	17.53	NOTE 7
7620X-037	0.448	11.38	0.042	1.07	0.453	11.51	0.560	14.22	-
7620X-038	0.228	5.79	0.042	1.07	0.233	5.92	0.340	8.64	-
7620X-039	0.628	15.95	0.042	1.07	0.633	16.08	0.740	18.80	-
7620X-040	0.288	7.32	0.042	1.07	0.293	7.44	0.400	10.16	-
7620X-041	0.308	7.82	0.142	3.61	0.313	7.95	0.520	13.21	NOTE 7
7620X-042	0.285	7.24	0.287	7.29	0.290	7.37	0.642	16.31	NOTE 7
7620X-043	0.308	7.82	0.212	5.38	0.313	7.95	0.590	14.99	-
7620X-044	0.522	13.26	0.103	2.62	0.527	13.39	0.695	17.65	-
7620X-045	0.522	13.26	0.538	13.67	0.527	13.39	1.130	28.70	NOTE 7
7620X-046	0.595	15.11	0.353	8.97	0.600	15.24	1.018	25.86	-
7620X-047	0.595	15.11	0.325	8.26	0.580	14.73	0.990	25.15	-
7620X-048	0.320	8.13	0.045	1.14	0.325	8.26	0.435	11.05	-

A

A

B

B

mat'l code	SEE NOTE 1	surface	ASME Y14.5 ✓	tolerance	ASME Y14.5	projection	product family	PIN PRODUCTS	
l/r	ec'n no	dr	date	tolerances unless otherwise specified		INCH/MM	scale 1:1	title	
s				angles	XXX+01/XX+3			BERGPIN® LOOSE PIECE	
				0°±2'	XXX+005/XXX+13			.041"[1.04] DIA. STAR	
				dr	T. BREWBAKER	1996-07-02	FCJ	dwg no	sheet 4 of 4
				engr	L. FYE	1996-07-02		76201	A4
				chr	T. BREWBAKER	1996-07-02			
				appd	L. FYE	1996-07-02		type	CUSTOMER Drawing
sheet index	revision sheet								

form A4mmXLC

1

2

3

4

PDM: Rev:S STATUS:Released Printed: Oct 24, 2008