

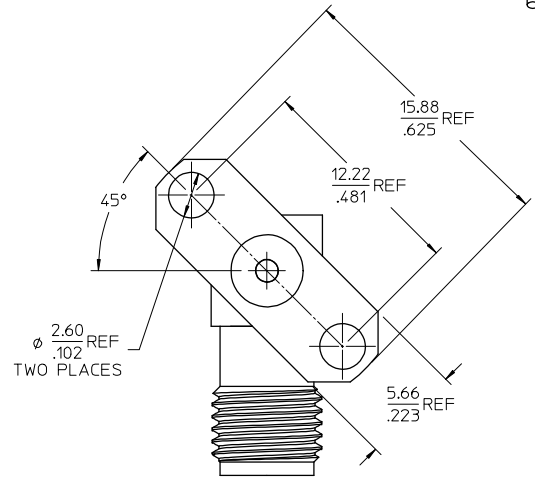
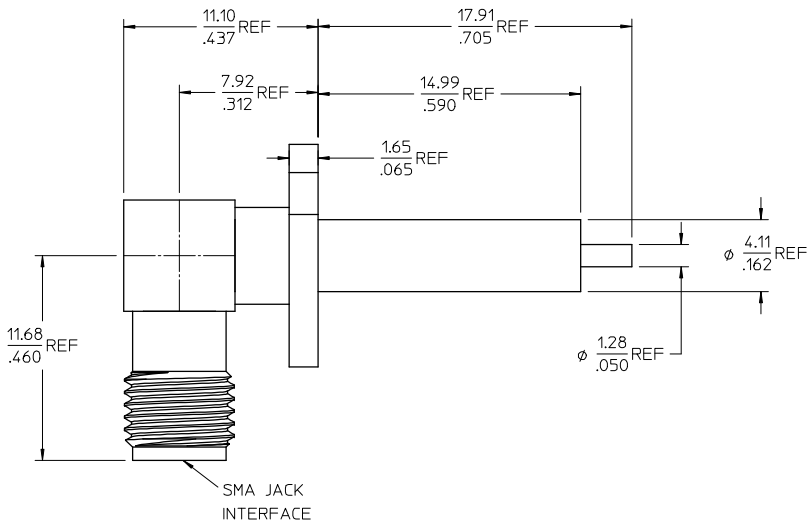
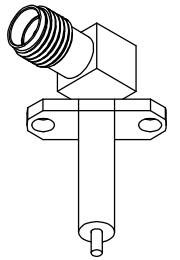
13 12 11 10 9 8 7 6 5 4 3 2 1

MATERIALS AND FINISHES

BODY: STAINLESS STEEL  
PLATED GOLD

CENTER CONTACT BECU  
PLATED GOLD

INSULATOR TEFLON



PART NUMBER 73251-1600

PS-89675-1680	ELECT/MECH SPEC
MIL-STD-348A FIG. 310-2	INTERFACE
SPECIFICATION	DESCRIPTION

CHG: CONVERT TO SD AND RELEASE SD NO: 2006-0378 DRWN: JWIENER 2008/01/24 CHKD: SSPAH 2008/01/24 APPR: JWIENER 2008/01/24	QUALITY SYMBOLS	GENERAL TOLERANCES (UNLESS SPECIFIED)	DIMENSION STYLE	SCALE	DESIGN UNITS	THIRD ANGLE PROJECTION
	▽=0 ▽=0	4 PLACES ±.005 ±.005 3 PLACES ±.005 ±.005 2 PLACES ±0.05 ±.005 1 PLACE ±0.10 ±.005 ANGULAR ± 2°	MM/IN	LMB	METRIC	
			DRAWN BY DATE	TITLE		
			CHECKED BY DATE	SMA JACK RECEPTACLE EXT DIELECTRIC 50 OHM SMA-JR EWR-1708		
		APPROVED BY DATE	MOLEX INCORPORATED			
			MATERIAL NO.	DOCUMENT NO.	SHEET NO.	
			732511600	SD-73251-160	1 OF 1	
		DRAFT WHERE APPLICABLE MUST REMAIN WITHIN DIMENSIONS	THIS DRAWING CONTAINS INFORMATION THAT IS PROPRIETARY TO MOLEX INCORPORATED AND SHOULD NOT BE USED WITHOUT WRITTEN PERMISSION			

12 11 10 9 8 7 6 5 4 3 2 1