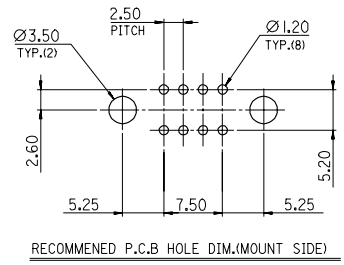
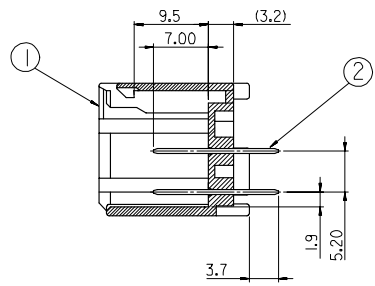
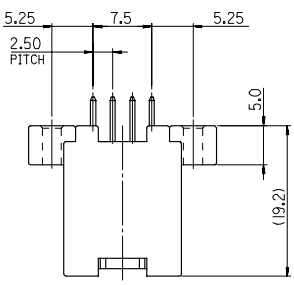
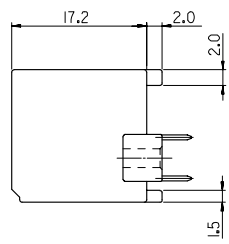
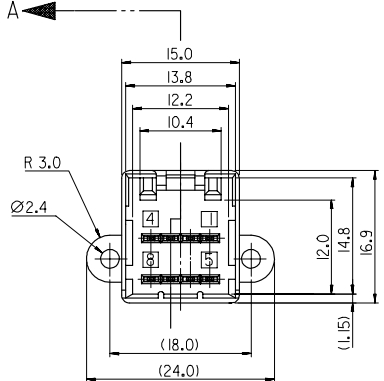


DWG. NO. SD-68 145-208
 SIMILAR ITEM
 PROJECT NO.
 DO NOT SCALE DRAWING DIMENSION IN METRIC

NO.	PART NO.	COLOR
1	68145-0811	BLACK
2	68145-0815	GRAY
3	68145-0816	WHITE



SECTION A-A



NOTES

1. APPLICABLE FEMALE HOUSING : 68508-081*

NO.	DESCRIPTION	MATERIAL	REMARK
①	HOUSING	PBT, G/F 15%	UL94HB
②	PIN	BRASS	PRE-TIN PLATED

ADDED OF PART ECN NO. KOR2006-0147 DRW: B.C.YOON 06/06/01 CHK: B.C.YOON 06/06/01 APPR: S.H. CHOI 06/06/01	QUALITY SYMBOLS MAJOR = CRITICAL = DESCRIPTION	GENERAL TOLERANCES: (UNLESS SPECIFIED) 4 PLACES ±0.15 ±- 3 PLACES ±0.15 ±- 2 PLACES ±0.25 ±- 1 PLACE ±0.30 ±- ANGULAR: ± 1°		SCALE 2:1 DESIGN UNITS <input checked="" type="checkbox"/> MM <input type="checkbox"/> INCH	THIRD ANGLE PROJECTION <input type="checkbox"/> FIRST ANGLE <input checked="" type="checkbox"/> THIRD ANGLE	DIMENSIONS: <input type="checkbox"/> MM <input type="checkbox"/> INCH <input checked="" type="checkbox"/> MM ONLY	SHT 1 REV 1
		DRAWN BY & DATE B.C.YOON 02/08/05	TITLE: .040 WIRE TO BOARD CONNECTOR 8P HEADER ASS'Y (VTL)		MOLEX INCORPORATED		SHEET NO. 1 OF 1
		CHECKED BY & DATE Y.SIK.KIM 02/08/05	APPROVED BY & DATE C.W.LEE 02/08/05	CAD FILENAME S681458C.DGN	MATERIAL NO. SEE TABLE	DRAWING NO. SD-68 145-208	SIZE B
		DRAFT WHERE APPLICABLE MUST REMAIN WITHIN DIMENSIONS		THIS DRAWING CONTAINS INFORMATION THAT IS PROPRIETARY TO MOLEX INCORPORATED AND SHOULD NOT BE USED WITHOUT WRITTEN PERMISSION.			

KOREA MX-A3