



Copyright FCI.

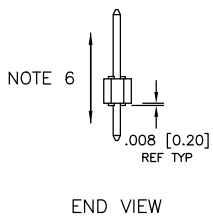
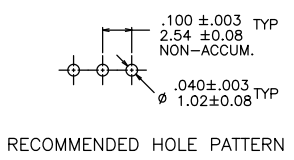
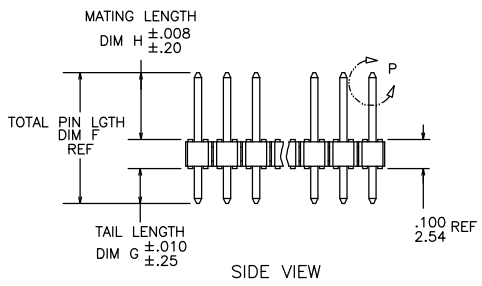
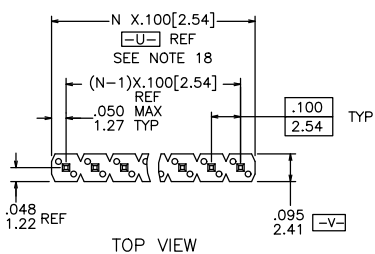
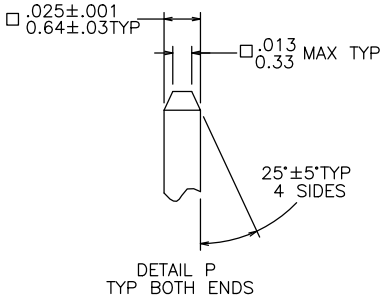
PRODUCT NUMBER  
 XXXXX-XXX HTLF

- LEAD FREE OPTION (SEE NOTES 1)
- PACKAGING OPTIONS (SEE NOTE 1)
- HIGH TEMPERATURE PLASTIC (SEE NOTE 1)
- NO OF POSITIONS (SEE NOTE 1)
- PIN PLATING (SEE SHEET 2)
- BASE PART NO.

68000-X XX-XXX XXX LF

- TAIL LENGTH (EXAMPLE BELOW)  
 3.0mm=030 12.8mm=128 (SEE NOTE 15 & 16)
- MATING LENGTH (EXAMPLE BELOW)  
 5.0mm=050 25.5mm=255 (SEE NOTE 15 & 16)
- TOTAL NUMBER OF POSITION FROM 1 THRU 36 POS. (SEE NOTE 1)
- PIN PLATING (SEE NOTE 13)  
 1=0.76µm Au  
 4= PURE TIN  
 8=0.36µm Au
- BASE PART NO.

⌀ .020/.51 M U M V S



NOTE 6

www.fciconnect.com		surface 6.4 ISO 1302	tolerance std ISO 406 ISO 1101	projection A4	INCH/MM
TOLERANCES UNLESS OTHERWISE SPECIFIED		ANGULAR	LINEAR	size	Scale
0.X	±0.3	0°	±2°	A4	1.000
0.XX	±0.15	0°	±2°	ECN	N11-0118
0.XXX	±0.05	Product family		Spec ref	
Product family		BERGSTIK		ECN	N11-0118
Product family		BERGSTIK		Spec ref	
rev	ecn no	dr	date	FCI	
CR	M07-0150	AGS	3/6/07	BERGSTIK® II HEADER	
CS	M08-0168	MHT	2/26/08	.100/2.54cc SR STRAIGHT	
CT	M08-0265	MHT	9/23/08	2	68000
CU	M08-0331	MHT	12/01/08	8	
CV	M09-0090	MHT	6/19/09	Rev. CX	
CW	M09-0105	MHT	7/10/09	CUSTOMER	
CX	N11-0118	J.Z.	2011-04-11	catalog no	sheet 1 of 8

REV 7 - 2004-07

PIN PLATING CODES:	
XXXX-1YY	30u"/0.76u MIN (SEE NOTE 13) OVER 50u"/1.27u MIN Ni
XXXX-2YY	15u"/0.38u MIN (SEE NOTE 13) OVER 50u"/1.27u MIN Ni
XXXX-3YY	50u"/1.27u MIN (SEE NOTE 13) OVER 50u"/1.27u MIN Ni
XXXX-4YY	
XXXX-4YYHLF	100u"/2.54u MIN Sn OVER 50u"/1.27u MIN Ni (SEE NOTE 14)
XXXX-5YY	15u"/0.38u MIN (SEE NOTE 13) OVER 50u"/1.27u MIN Ni
XXXX-6YY	30u"/0.76u MIN (SEE NOTE 13) OVER 50u"/1.27u MIN Ni
XXXX-7YY	30u"/0.76u MIN (SEE NOTE 13) OVER 50u"/1.27u MIN Ni
XXXX-8YY	15u"/0.38u MIN (SEE NOTE 13) OVER 50u"/1.27u MIN Ni
XXXX-9YY	15u"/0.38u MIN (SEE NOTE 13) OVER 50u"/1.27u MIN Ni
XXXX-0YY	30u"/0.76u MIN (SEE NOTE 13) OVER 50u"/1.27u MIN Ni

NOTES

1. PART NUMBER OPTIONS:

PIN PLATING CODES (SEE ABOVE)

HIGH TEMP. MATERIAL:

PART NUMBERS WITH AND WITHOUT "H" WILL BE SUPPLIED WITH HIGH TEMPERATURE PLASTIC

NUMBER OF POSITIONS :

ANY NUMBER OF POSITIONS FROM 1 THRU 36.  
 -X00H INDICATES BERGSTRIIP PRODUCT. SEE PAGE 3 FOR SPECIAL GEOMETRY OF THIS CONTINUOUS STRIP PRODUCT.  
 AUTOMATED REELS WILL CONTAIN 36,000 PINS.  
 SEE SPECIFIC PART NUMBERS FOR AVAILABILITY.

PACKAGING :

NO INDICATOR IS STANDARD PACKAGING IN POLY BAGS.  
 EIGHT DIGIT PART NUMBERS FOLLOWED BY A "T" ARE PACKAGED IN TUBES. SEE SPECIFIC PART NUMBERS FOR AVAILABILITY.  
 EIGHT DIGIT PART NUMBERS FOLLOWED BY A "C" ARE PACKAGED IN TUBES WITH PICKUP CAP APPLIED. (NOT TOOLED)  
 BERGSTRIIP™ PART NUMBERS FOLLOWED BY A "B" ARE BULK PRICED.

LEAD FREE :

ADD "HLF" SUFFIX AT THE END OF PART NUMBER FOR LEAD FREE OPTION, NOT AVAILABLE FOR -5YY,-5YYH, -6YY & -6YYH

2. BODY MATERIAL :

BERGSTIK: MANUFACTURER'S OPTION OF NYLON, PCT GLASS FIBER REINFORCED, OR LCP MINERAL FILLED FLAME RETARDENT PER UL-94V-0.  
 COLOR : BLACK  
 BERGSTRIIP™: PRODUCED WITH HIGH TEMPERATURE LCP THERMOPLASTIC, FLAME RETARDENT PER UL-94V-0.  
 COLOR : BLACK

PART NUMBERS WITH AND WITHOUT "H" SUFFIX WILL WITHSTAND EXPOSURE TO 260°C PEAK TEMPERATURE FOR 20 SECONDS IN WAVE SOLDER, INFRA-RED OR VAPOR PHASE SOLDER PROCESS.

- 3. PIN MATERIAL : PHOS-BRONZE.
- 4. MEASURED WITH PART IN RESTRAINED CONDITION.
- 5. TWO SIDES OF PIN TIPS NOT PLATED. TYPICAL BOTH ENDS.
- 6. 2LBS/0.9KG MIN PIN RETENTION IN EITHER DIRECTION.
- 7. PIN CANNOT PROTRUDE PAST EDGE OF HOUSING. MUST BE .005±.005/.13±.13 FROM END OF HOUSING HOLE.
- 8. MILITARY BERGSTIK HEADER  
 P/N XXXXX-YYY-MIL.  
 NOT AVAILABLE.
- 9. ±.010/0.25 TOL APPLIES TO ALL "G" TAILS EXCEPT INDICATED PARTS ON TABLE WHERE +.010/0.25 -.000/0.00 APPLIES.
- 10. INDICATED PART NUMBERS ARE PRODUCED AND SOLD IN THE TAIWAN/SINGAPORE AREAS. THESE ARE NOT AVAILABLE IN BERGSTRIIP™ CONTINUOUS STRIP.
- 11. NOTCH CONFIGURATION WILL VARY PER VENDOR'S DISCRETION.
- 12. THESE PRODUCTS MEETS EUROPEAN UNION DIRECTIVES AND OTHER COUNTRY REGULATION AS DESCRIBED IN GS-22-008.
- 13. PLATING OPTIONS:  
 PERFORMANCE PLATING WILL BE EITHER GOLD OR GXT ON POST OR TAIL, OPTIONALLY (78~295u"/2~7.5u) TIN ON TAIL.
- 14. "THIS PRODUCT HAS 100% TIN PLATING IN THE INTERFACE AND HAS NOT BEEN TESTED FOR WHISKER GROWTH IN ALL INTERCONNECT ENVIRONMENTS."
- 15. THE OAL DON'T EXCEED 34.5mm
- 16. INCREMENTS BY 0.1mm IN LENGTHS ONLY
- 17. FOR SPECIAL PACKAGING REQUEST PLEASE CONTACT PRODUCT MANAGER FOR AVAILABILITY
- 18. TO DETERMINE DIMENSIONS:  
 N=NUMBER OF POSITION PER ROW  
 EXAMPLE: 10 POS. N X .100/2.54



Copyright FCI.

www.fciconnect.com		surface ISO 1302 ✓	tolerance std ISO 406 ISO 1101	projection A	INCH/MM
		TOLERANCES UNLESS OTHERWISE SPECIFIED			
Dr	T.BREWBAKER	01/05/95	ANGULAR	LINEAR	0x ±0.3 0xx ±0.15 0xxx ±0.05
Eng	T.HANNA	01/05/95	0° ±2°		size A4 Scale 1:000
Chr	J.MURPHY	01/05/95			ECN N11-0118
Appr	T.HANNA	01/05/95	Product family	BERGSTIK	Spec ref
FCI		BERGSTIK® II HEADER .100/2.54cc SR STRAIGHT		2 68000	Rev. CX
catalog no		CUSTOMER		sheet 2 of 8	

1 2 3 4

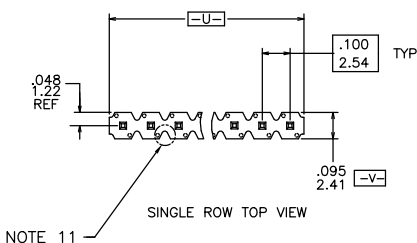
A

B

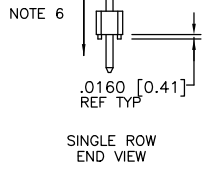
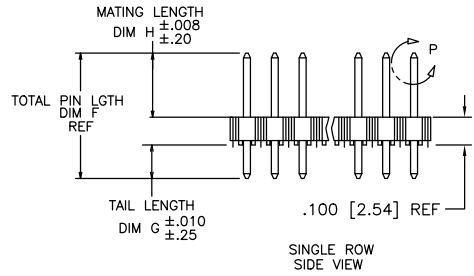
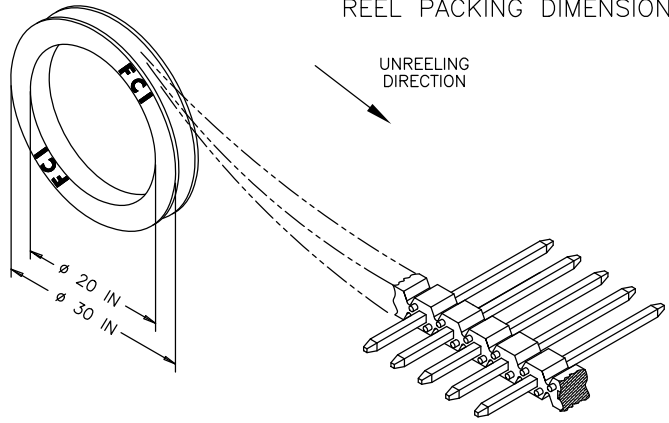
C

D

BERGSTRIPTM HEADER



REEL PACKING DIMENSIONS



Copyright FCI.

www.fciconnect.com		surface ISO 1302 ✓	tolerance std ISO 406 ISO 1101	projection ISO 10	INCH/MM
		TOLERANCES UNLESS OTHERWISE SPECIFIED			← INCH → ← MM →
Dr	T.BREWBAKER	01/05/95	ANGULAR	0.X	±0.3
Eng	T.HANNA	01/05/95	LINEAR	0.XX	±0.15
Chr	J.MURPHY	01/05/95	0° ±2°	0.XXX	±0.05
Appr	T.HANNA	01/05/95	Product family	BERGSTIK	Spec ref
FCI		title		Rev.	
		BERGSTIK II HEADER		68000	
		.100/2.54cc SR STRAIGHT		CX	
catalog no		CUSTOMER		sheet 3 of 8	

REV 7 - 2004-07

1 2 3 4

PDM: Rev: CX STATUS Released 4 Printed: Apr 20, 2011

PRODUCT NUMBER	TOTAL PIN LGTH		TAIL LENGTH		MATING LENGTH		PACKAGING	NOTES	BERGSTRIPTM AVAILABLE	LF OPTION
	DIM F	DIM F	DIM G	DIM G	DIM H	DIM H				
	ENGLISH	METRIC	ENGLISH	METRIC	ENGLISH	METRIC				
55492-XYH	0.315	8.00	0.095	2.41	0.120	3.05	POLY BAGS	-	NO	NOTE 1,12
60017-XYH	0.620	15.75	0.210	5.33	0.310	7.87	POLY BAGS	-	NO	
60018-XYH	0.660	16.76	0.250	6.35	0.310	7.87	POLY BAGS	-	NO	
63334-XYH	0.435	11.05	0.095	2.41	0.240	6.10	POLY BAGS	-	NO	
68000-XYH	0.425	10.80	0.095	2.41	0.230	5.84	POLY BAGS	-	YES	
68001-XYH	0.450	11.43	0.120	3.05	0.230	5.84	POLY BAGS/TUBES	-	YES	
68002-XYH	0.480	12.19	0.150	3.81	0.230	5.84	POLY BAGS	-	YES	
68003-XYH	0.525	13.34	0.195	4.95	0.230	5.84	POLY BAGS	-	NO	
68004-XYH	0.525	13.34	0.107	2.72	0.318	8.08	POLY BAGS	-	YES	
68024-XYH	0.568	14.43	0.150	3.81	0.318	8.08	POLY BAGS	-	YES	
68031-XYH	0.513	13.03	0.183	4.65	0.230	5.84	POLY BAGS	-	NO	
68032-XYH	0.543	13.79	0.213	5.41	0.230	5.84	POLY BAGS	-	NO	
68033-XYH	0.708	17.98	0.473	12.01	0.135	3.43	POLY BAGS	-	NO	
68415-XYH	0.615	15.62	0.115	2.92	0.400	10.16	POLY BAGS	-	NO	
68416-XYH	0.813	20.65	0.483	12.27	0.230	5.84	POLY BAGS	-	NO	
68418-XYH	0.730	18.54	0.400	10.16	0.230	5.84	POLY BAGS	-	NO	
68422-XYH	0.631	16.03	0.213	5.41	0.318	8.08	POLY BAGS	-	NO	
68443-XYH	0.755	19.18	0.425	10.80	0.230	5.84	POLY BAGS	-	NO	
68456-XYH	0.825	20.96	0.115	2.92	0.610	15.49	POLY BAGS	-	NO	
68457-XYH	0.548	13.92	0.130	3.30	0.318	8.08	POLY BAGS	-	NO	
68465-XYH	0.925	23.50	0.595	15.11	0.230	5.84	POLY BAGS	-	NO	
68466-XYH	0.925	23.50	0.128	3.25	0.697	17.70	POLY BAGS	-	NO	
68472-XYH	0.913	23.19	0.413	10.49	0.400	10.16	POLY BAGS	-	NO	
68479-XYH	0.718	18.24	0.388	9.86	0.230	5.84	POLY BAGS	-	NO	
68483-XYH	0.835	21.21	0.417	10.59	0.318	8.08	POLY BAGS	-	NO	
68487-XYH	0.705	17.91	0.110	2.79	0.495	12.57	POLY BAGS	-	NO	
68489-XYH	1.095	27.81	0.765	19.43	0.230	5.84	POLY BAGS	-	NO	
68490-XYH	1.025	26.04	0.695	17.65	0.230	5.84	POLY BAGS	-	NO	
68497-XYH	0.612	15.54	0.085	2.16	0.427	10.85	POLY BAGS	-	NO	
68603-XYH	0.555	14.10	0.120	3.05	0.335	8.51	POLY BAGS	-	NO	
68604-XYH	0.600	15.24	0.120	3.05	0.380	9.65	POLY BAGS	-	NO	

NOTE 1,12

www.fciconnect.com		surface ISO 1302	tolerance std ISO 406 ISO 1101	projection ASME Y14.5	INCH/MM
TOLERANCES UNLESS OTHERWISE SPECIFIED		0.X	±0.3	size A4	Scale 1.000
Dr: T.BREWBAKER	01/05/95	ANGULAR	LINEAR	0.XX	±0.15
Eng: T.HANNA	01/05/95	0° ±2°		0.XXX	±0.05
Chr: J.MURPHY	01/05/95			ECN	N11-0118
Appr: T.HANNA	01/05/95	Product family	BERGSTIK	Spec ref	
	BERGSTIK II HEADER	2	68000	Rev. CX	
catalog no	.100/2.54cc SR STRAIGHT	6	CUSTOMER	sheet 4 of 8	



Copyright FCI.

PDM: Rev: CX

STATUS Released 4 Printed: Apr 20, 2011

REV 1 - 2004-07

PRODUCT NUMBER	1		2				3		BERGSTRIPTM AVAILABLE	LF OPTION
	TOTAL PIN LGTH		TAIL LENGTH		MATING LENGTH		PACKAGING	NOTES		
	DIM F	DIM F	DIM G	DIM G	DIM H	DIM H				
ENGLISH	METRIC	ENGLISH	METRIC	ENGLISH	METRIC					
68629-XXY	0.621	15.77	0.203	5.16	0.318	8.08	POLY BAGS	-	NO	NOTE 1,12
68630-XXY	0.603	15.32	0.273	6.93	0.230	5.84	POLY BAGS	-	NO	
68631-XXY	0.703	17.86	0.203	5.16	0.400	10.16	POLY BAGS	-	NO	
68632-XXY	0.743	18.87	0.413	10.49	0.230	5.84	POLY BAGS	-	NO	
68633-XXY	0.643	16.33	0.225	5.72	0.318	8.08	POLY BAGS	-	NO	
68634-XXY	1.013	25.73	0.683	17.35	0.230	5.84	POLY BAGS	-	NO	
68642-XXY	0.913	23.19	0.583	14.81	0.230	5.84	POLY BAGS	-	NO	
68652-XXY	1.470	37.34	0.670	17.02	0.700	17.78	POLY BAGS	-	NO	
68653-XXY	0.735	18.67	0.095	2.41	0.540	13.72	POLY BAGS	-	NO	
68654-XXY	1.050	26.67	0.670	17.02	0.280	7.11	POLY BAGS	-	NO	
68655-XXY	0.708	17.98	0.290	7.37	0.318	8.08	POLY BAGS	-	NO	
68656-XXY	1.113	28.27	0.613	15.57	0.400	10.16	POLY BAGS	-	NO	
68657-XXY	0.588	14.94	0.368	9.35	0.120	3.05	POLY BAGS	-	NO	
68658-XXY	0.820	20.83	0.130	3.30	0.590	14.99	POLY BAGS	-	NO	
68659-XXY	0.608	15.44	0.398	10.11	0.110	2.79	POLY BAGS	-	NO	
68686-XXY	1.016	25.81	0.458	11.63	0.458	11.63	POLY BAGS	-	NO	
68689-XXY	0.913	23.19	0.213	5.41	0.600	15.24	POLY BAGS	-	NO	
68705-XXY	0.395	10.03	0.095	2.41	0.200	5.08	POLY BAGS	-	NO	
68717-XXY	0.615	15.62	0.285	7.24	0.230	5.84	POLY BAGS	-	NO	
68730-XXY	0.555	14.10	0.225	5.72	0.230	5.84	POLY BAGS	-	NO	
68731-XXY	0.880	22.35	0.440	11.18	0.340	8.64	POLY BAGS	-	NO	
68735-XXY	1.016	25.81	0.520	13.21	0.396	10.06	POLY BAGS	-	NO	
68755-XXY	1.166	29.62	0.533	13.54	0.533	13.54	POLY BAGS	-	NO	
68760-XXY	0.803	20.40	0.353	8.97	0.350	8.89	POLY BAGS	-	NO	
68762-XXY	0.588	14.94	0.213	5.41	0.275	6.99	POLY BAGS	-	NO	
68771-XXY	0.470	11.94	0.100	2.54	0.270	6.86	POLY BAGS	-	NO	
68781-XXY	0.691	17.55	0.273	6.93	0.318	8.08	POLY BAGS	-	NO	



Copyright FCI.

www.fciconnect.com		surface ISO 1302 <input checked="" type="checkbox"/>	tolerance std ISO 406 ISO 1101	projection 	INCH/MM
		TOLERANCES UNLESS OTHERWISE SPECIFIED			
Dr	T.BREWBAKER	01/05/95	ANGULAR	LINEAR	0x ±0.3
Eng	T.HANNA	01/05/95			0xx ±0.15
Chr	J.MURPHY	01/05/95	0° ±2°		0xxx ±0.05
Appr	T.HANNA	01/05/95	Product family	BERGSTIK	ECN N11-0118
FCI		title		68000	Rev. CX
BERGSTIK® II HEADER		.100/2.54cc SR STRAIGHT		CUSTOMER	sheet 5 of 8
catalog no					

**PDM: Rev: CX** STATUS **Released** 4 Printed: Apr 20, 2011

PRODUCT NUMBER	1		2				3		BERGSTRIPTM AVAILABLE	LF OPTION
	DIM F	DIM F	DIM G	DIM G	DIM H	DIM H	PACKAGING	NOTES		
	ENGLISH	METRIC	ENGLISH	METRIC	ENGLISH	METRIC				
68795-XYY	0.500	12.70	0.062	1.57	0.338	8.59	POLY BAGS	-	NO	NOTE 1,12
68796-XYY	0.633	16.08	0.423	10.74	0.110	2.79	POLY BAGS	-	NO	
68797-XYY	0.413	10.49	0.213	5.41	0.100	2.54	POLY BAGS	-	NO	
69148-XYY	0.442	11.43	0.000	0.00	0.350	8.89	POLY BAGS	-	NO	
69152-XYY	0.720	18.29	0.120	3.05	0.500	12.70	POLY BAGS/TUBES	-	NO	
69173-XYY	0.530	13.46	0.135	3.43	0.295	7.49	POLY BAGS	-	NO	
69188-XYY	0.751	19.08	0.333	8.46	0.318	8.08	POLY BAGS	-	NO	
69751-XYY	0.440	11.18	0.170	4.32	0.170	4.32	POLY BAGS	NOTE 10	NO	
71417-XYY	0.664	16.87	0.115	2.92	0.449	11.40	POLY BAGS	NOTE 10	NO	
72260-XYYH	0.930	23.62	0.090	2.29	0.740	18.80	POLY BAGS	-	NO	
72323-XYYH	1.200	30.48	0.100	2.54	1.000	25.40	POLY BAGS	-	NO	
72457-XYYH	1.100	27.94	0.090	2.29	0.910	23.11	POLY BAGS	-	NO	
73698-XYYH	1.100	27.94	0.120	3.05	0.880	22.35	POLY BAGS	-	NO	
74464-XYYH	1.028	26.11	0.610	15.49	0.318	8.08	POLY BAGS	-	NO	
78240-XYY	0.663	16.84	0.333	8.46	0.230	5.84	POLY BAGS	-	NO	
78287-XYY	0.678	17.22	0.120	3.05	0.458	11.63	POLY BAGS	-	NO	
78290-XYY	1.250	31.75	0.500	12.70	0.650	16.51	POLY BAGS	-	NO	
78511-XYY	0.538	13.67	0.120	3.05	0.318	8.08	POLY BAGS/TUBES	-	YES	
78595-XYY		NOT AVAILABLE						-	-	
78931-XYY		NOT AVAILABLE						-	-	
78958-XYY		NOT AVAILABLE						-	-	
78959-XYY		NOT AVAILABLE						-	-	
78977-XYY		NOT AVAILABLE						-	-	
78998-XYY	0.430	10.92	0.155	3.94	0.175	4.45	POLY BAGS	-	NO	
78999-XYY		NOT AVAILABLE						-	-	
79428-XYY	0.695	17.65	0.120	3.05	0.475	12.07	POLY BAGS	-	NO	
79849-XYY	0.620	15.75	0.120	3.05	0.400	10.16	POLY BAGS	-	NO	



Copyright FCI.

www.fciconnect.com		surface ISO 1302 ✓	tolerance std ISO 406 ISO 1101	projection ASME Y14.5	INCH/MM
		TOLERANCES UNLESS OTHERWISE SPECIFIED			
Dr	T.BREWBAKER	01/05/95	ANGULAR	0X	±0.3
Eng	T.HANNA	01/05/95	LINEAR	0XX	±0.15
Chr	J.MURPHY	01/05/95	0° ±2°	0XXX	±0.05
Appr	T.HANNA	01/05/95	Product family	BERGSTIK	Spec ref
FCI		BERGSTIK II HEADER .100/2.54cc SR STRAIGHT		68000	Rev. CX
catalog no		CUSTOMER		sheet 6 of 8	

REV 7 - 288-99-07

1 2 3 4

PRODUCT NUMBER	TOTAL PIN LGTH		TAIL LENGTH		MATING LENGTH		PACKAGING	NOTES	BERGSTRIPTM AVAILABLE	LF OPTION
	DIM F	DIM F	DIM G	DIM G	DIM H	DIM H				
	ENGLISH	METRIC	ENGLISH	METRIC	ENGLISH	METRIC				
84918-XYH	0.340	8.64	0.120	3.05	0.120	3.05	POLY BAGS	-	YES	NOTE 1,12
84921-XYH	0.370	9.40	0.150	3.81	0.120	3.05	POLY BAGS	-	YES	
86506-XYH	0.440	11.18	0.120	3.05	0.220	5.59	POLY BAGS	-	YES	
86579-XYH	0.450	11.43	0.120	3.05	0.230	5.84	POLY BAGS	NOTE 9	NO	
86634-XYH		NOT	AVAILABLE					-	-	
86635-XYH		NOT	AVAILABLE					-	-	
86636-XYH		NOT	AVAILABLE					-	-	
86637-XYH		NOT	AVAILABLE					-	-	
86638-XYH		NOT	AVAILABLE					-	-	
86793-XYH	0.900	22.86	0.100	2.54	0.700	17.78	POLY BAGS	NOTE 10	NO	
86899-XYH	1.020	25.91	0.120	3.05	0.800	20.32	POLY BAGS	-	NO	
87185-XYH	1.238	31.45	0.095	2.41	1.043	26.49	POLY BAGS	NOTE 10	NO	
87204-XYH	0.895	22.73	0.120	3.05	0.675	17.15	POLY BAGS	-	NO	
87241-XYH	1.000	25.40	0.120	3.05	0.780	19.81	POLY BAGS	-	NO	
87502-XYH	1.130	28.70	0.110	2.79	0.920	23.37	POLY BAGS	-	NO	
87827-XYH	0.380	9.65	0.120	3.05	0.160	4.06	POLY BAGS	-	NO	
87916-XYH	1.058	26.87	0.128	3.25	0.830	21.08	POLY BAGS	-	NO	
88005-XYH	0.536	13.61	0.095	2.41	0.341	8.66	POLY BAGS	NOTE 10	NO	
88706-XYH	0.900	22.86	0.100	2.54	0.700	17.78	POLY BAGS	-	NO	
89232-XYH	0.325	8.26	0.000	0.00	0.230	5.84	POLY BAGS	NOTE 7	NO	NOTE 1,12



Copyright FCI.

www.fciconnect.com		surface ISO 1302 <input checked="" type="checkbox"/>	tolerance std ISO 406 ISO 1101	projection 	INCH/MM ← →
		TOLERANCES UNLESS OTHERWISE SPECIFIED			
Dr	T.BREWBAKER	01/05/95	ANGULAR	0X	±0.3
Eng	T.HANNA	01/05/95	LINEAR	0XX	±0.15
Chr	J.MURPHY	01/05/95	0° ±2°	0XXX	±0.05
Appr	T.HANNA	01/05/95	Product family	BERGSTIK	Spec ref
		BERGSTIK II HEADER .100/2.54cc SR STRAIGHT		68000	Rev. CX
catalog no		CUSTOMER		sheet 7 of 8	

REV 1 - 2004-07

1 2 3 4

PDM: Rev: CX STATUS Released 4 Printed: Apr 20, 2011

PRODUCT NUMBER	1		2				3		BERGSTRIPTM AVAILABLE	LF OPTION
	TOTAL PIN LGTH		TAIL LENGTH		MATING LENGTH		PACKAGING	NOTES		
	DIM F	DIM F	DIM G	DIM G	DIM H	DIM H				
ENGLISH	METRIC	ENGLISH	METRIC	ENGLISH	METRIC					
90522-XYX	0.668	16.97	0.135	3.43	0.433	11.00	POLY BAGS	NOTE 10	NO	NOTE 1,12
90547-XYX	0.508	12.90	0.095	2.41	0.313	7.95	POLY BAGS	NOTE 10	NO	
90719-XYX	0.384	9.75	0.106	2.69	0.178	4.52	POLY BAGS	-	NO	
90726-XYX	0.440	11.18	0.110	2.79	0.230	5.84	POLY BAGS	-	YES	
91276-XYX	1.225	31.12	0.225	5.72	0.900	22.86	POLY BAGS	-	NO	
92020-XYX	0.372	9.45	0.094	2.39	0.178	4.52	POLY BAGS	-	NO	
92418-XYX	0.572	14.53	0.118	3.00	0.354	8.99	POLY BAGS	-	NO	
93167-XYX	0.394	10.01	0.059	1.50	0.235	5.97	POLY BAGS	-	NO	
93287-XYXH	0.585	14.86	0.085	2.16	0.400	10.16	POLY BAGS	-	NO	
93944-XYX	0.941	23.90	0.130	3.30	0.711	18.06	POLY BAGS	-	NO	
93992-XYXH	0.415	10.54	0.085	2.16	0.230	5.84	POLY BAGS	-	NO	
94063-XYX	0.376	9.55	0.138	3.51	0.138	3.51	POLY BAGS	NOTE 10	NO	
94094-XYX	0.592	15.04	0.314	7.98	0.178	4.52	POLY BAGS	-	NO	
94544-XYX	0.550	13.97	0.130	3.30	0.330	8.38	POLY BAGS	NOTE 10	NO	
94611-XYXH	0.320	8.13	0.095	2.41	0.125	3.18	POLY BAGS	-	NO	
95017-XYXH	0.560	14.22	0.060	1.52	0.400	10.16	POLY BAGS	-	NO	
95103-XYX	1.064	27.03	0.433	11.00	0.531	13.49	POLY BAGS	NOTE 10	NO	
95104-XYX	0.370	9.40	0.126	3.20	0.144	3.66	POLY BAGS	NOTE 10	NO	
95648-XYXH	0.655	16.64	0.155	3.94	0.400	10.16	POLY BAGS	-	NO	
95655-XYX	1.164	29.57	0.095	2.41	0.969	24.61	POLY BAGS	NOTE 10	NO	
98001-XYXH	0.610	15.49	0.420	10.67	0.090	2.29	POLY BAGS	-	NO	
98136-XYXH	0.475	12.07	0.095	2.41	0.280	7.11	POLY BAGS	-	NO	
10004394-XYXH	0.290	7.37	0.095	2.41	0.095	2.41	POLY BAGS	-	NO	
10076764-XYXH	0.479	12.19	0.114	2.9	0.265	6.75	POLY BAGS	-	YES	
10103017-XYX	0.335	8.51	0.130	3.30	0.105	2.67	POLY BAGS	-	NO	



Copyright FCI.

www.fciconnect.com		surface ISO 1302 <input checked="" type="checkbox"/>	tolerance std ISO 406 ISO 1101	projection 	INCH/MM
		TOLERANCES UNLESS OTHERWISE SPECIFIED			
Dr	T.BREWBAKER	01/05/95	ANGULAR	LINEAR	0x ±0.3
Eng	T.HANNA	01/05/95	0° ±2°		0.0xx ±0.15
Chr	J.MURPHY	01/05/95			0.0xxx ±0.05
Appr	T.HANNA	01/05/95	Product family	BERGSTIK	Spec ref
		BERGSTIK II HEADER .100/2.54cc SR STRAIGHT		68000	Rev. CX
catalog no		CUSTOMER		sheet 8 of 8	

PDM: Rev: CX STATUS Released 4 Printed: Apr 20, 2011