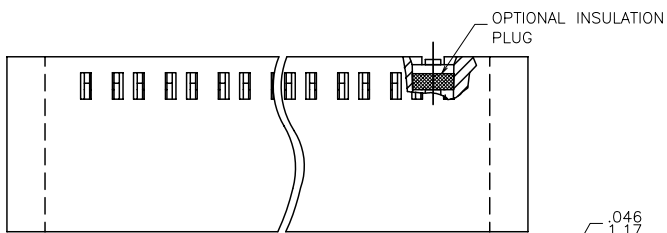
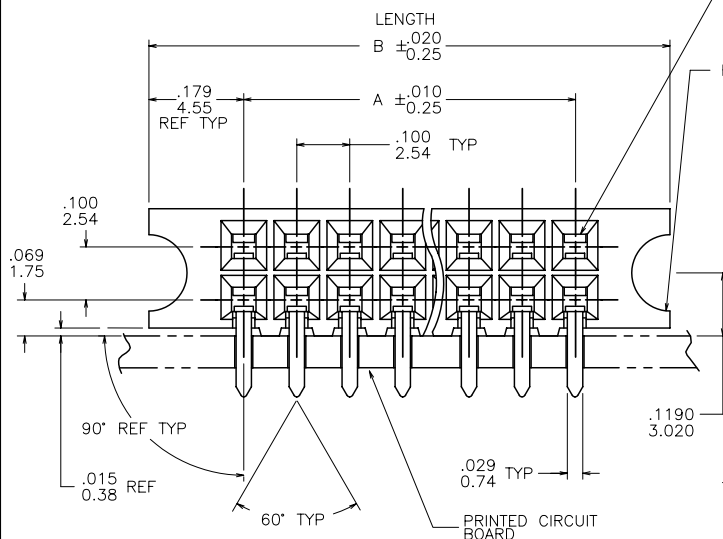


PRODUCT NO.
SEE TABLE

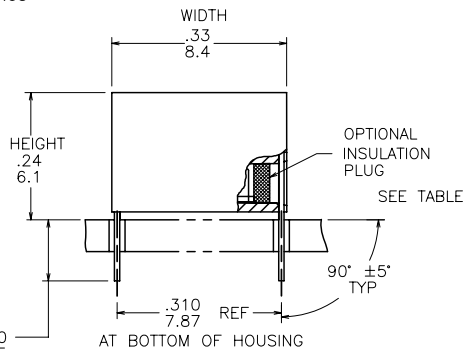


OPTIONAL INSULATION
PLUG



.046 SQUARE CONTACT
1.17 OPENING TYP

R .072 +.003
-.002 TYP
1.83 +0.08
-.005



OPTIONAL INSULATION
PLUG
SEE TABLE

| | | | | |
|-------------|----------|---------------------|------------|-----------------------------|
| mat'l. code | surface | tolerance | projection | product family |
| | ISO 1902 | ISO 406 ISO 1101 | | CARD CONN. |
| lir | ec'n no | dr | date | title |
| N | V61633 | EPK | 9/17/90 | GUIDE PIN CARD CONNECTOR |
| P | V70994 | JM | 10/19/97 | |
| R | V02523 | AZ | 10/24/00 | |
| S | V21783 | CGD | 11/18/02 | |
| T | M05-0113 | MHT | 6/14/05 | |
| U | M07-0137 | MHT | 2/26/07 | |
| V | M08-0232 | MHT | 8/14/08 | |
| revision | V | V | V | V |
| sheet | 1 | 2 | 3 | 4 |
| index | sheet | 1 | 2 | 3 |

PRODUCT NO.
SEE TABLE

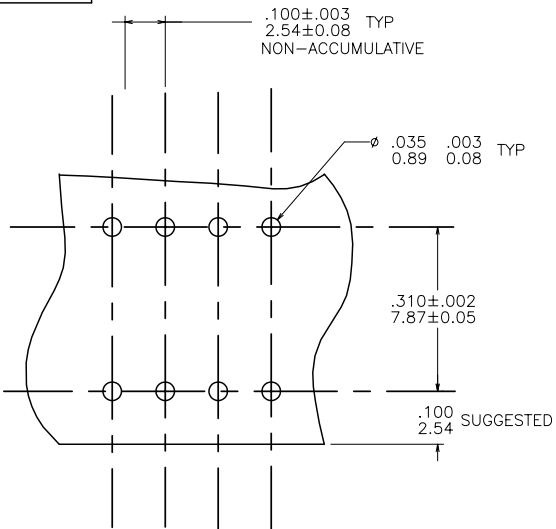


FIGURE 1

NOTES:

1. HOUSING MATERIAL:
FILLED HIGH TEMPERATURE NYLON
PER UL 94V-0
COLOR: BLACK
2. TERMINAL MATERIAL:
BODY: BRASS, .010/0.25 THICK
SPRING: BE-CU, HEAT TREATED
BODY PLATING DUPLEX :
30 MICROINCH/0.76 MICRON GOLD OR GXT
OVER 50 MICROINCH/1.27 MICRON NICKEL
IN CONTACT AREA
SOLDER TAIL : 100u"/2.54um PURE TIN MIN
OVER .050u"/1.27um NICKEL
SPRING PLATING: GOLD FLASH

3. MARK "FCI", FCI PART NUMBER AND DATE CODE.
LEGIBLE ON TUBE LABEL.
4. APPLICATION INFORMATION:
A. RECOMMENDED MOUNTING HOLE
PATTERN IS SHOWN IN FIGURE "1"
B. ALL MATING PINS TO BE .025/.64 SQUARE ON
TRUE CENTER OF GIVEN TERMINAL
SPACINGS WITHIN .015/0.38 DIA.
C. SUGGESTED MATING PIN LENGTH
.350±.020/8.89±0.51
5. MARK IN .060/1.52 HIGH LETTERS.(CONTRASTING
COLORS) - 9113 4445
FCI XXXX
DATE CODE
6. .003/0.08 THICK TERMINAL SPRING.
7. PACKAGING: STANDARD 24" LONG TUBES.
8. 550mm LONG SPECIAL SHORT TUBE PACKAGING:
ADD SUFFIX "A" TO PART DASH NUMBER. EXAMPLE: 66527-001A
9. ADD "LF" SUFFIX AT THE END OF PART NUMBER FOR
LEAD FREE OPTION.
10. THIS PRODUCT MEETS EUROPEAN UNION DIRECTIVES AND OTHER
COUNTRY REGULATION AS DESCRIBED IN GS-22-008.
11. THE HOUSING WILL WITHSTAND EXPOSURE TO 260°C PEAK TEMPERATURE
FOR 15 SECONDS IN A WAVE SOLDER APPLICATION WITH A 1.5mm
MINIMUM THICK CIRCUIT BOARD. SEE APPLICATION NOTES/PROCEDURES
IF THEY ARE AVAILABLE.
12. PLATING OPTIONS:
MAY BE EITHER GOLD OR GXT PLATED AT MANUFACTURER'S OPTION.

| | | | | | |
|-------------|----------------|----------|---|-----------------------------|-------------------------------|
| mat'l. code | | surface | tolerance | projection | product family |
| - | | ISO 1902 | ISO 406 ISO 1101 | | CARD CONN. |
| itr | ecr no | dr | date | title | |
| V | | | | GUIDE PIN CARD CONNECTOR | |
| | | angles | linear | INCH/MM | scale 4:1 |
| | | 0°±2° | .XX ±.01/.X±0.3 .XXX ±.05/.X±0.13 .XXX ±.020/.XXX±0.051 | | |
| dr | C.DAILY | | 11/18/02 | | sheet 2 of 6 size |
| engr | H.SUNDY | | 11/18/02 | | 66527 |
| chr | H.SUNDY | | 11/18/02 | | A3 |
| appd | H.SUNDY | | 11/18/02 | | type Product Customer Drawing |
| sheet index | revision sheet | | | | |

| PRODUCT NO. NOTE 9 | NO. OF POS. | A DIM | B DIM | INSUL. PLUG | SPECIAL |
|-----------------------|----------------|-------------|--------------|----------------|---------|
| 66527-001 | | UNAVAILABLE | | | |
| -002 | 2X2 | .100/2.54 | .458/11.63 | NO | |
| -003 | 2X3 | .200/5.08 | .558/14.17 | | |
| -004 | 2X4 | .300/7.62 | .658/16.71 | | |
| -005 | 2X5 | .400/10.16 | .758/19.25 | | |
| -006 | 2X6 | .500/12.70 | .858/21.79 | | |
| -007 | 2X7 | .600/15.24 | .958/24.33 | | |
| -008 | 2X8 | .700/17.78 | 1.058/26.87 | | |
| -009 | 2X9 | .800/20.32 | 1.158/29.41 | | |
| -010 | 2X10 | .900/22.86 | 1.258/31.95 | | |
| -011 | 2X11 | 1.000/25.4 | 1.358/34.49 | | |
| -012 | 2X12 | 1.100/27.94 | 1.458/37.03 | | |
| -013 | 2X13 | 1.200/30.48 | 1.558/39.57 | | |
| -014 | 2X14 | 1.300/33.02 | 1.658/42.11 | | |
| -015 | 2X15 | 1.400/35.56 | 1.758/44.65 | | |
| -016 | 2X16 | 1.500/38.10 | 1.858/47.19 | | |
| -017 | 2X17 | 1.600/40.64 | 1.958/49.73 | | |
| -018 | 2X18 | 1.700/43.18 | 2.058/52.27 | | |
| -019 | 2X19 | 1.800/45.72 | 2.158/54.81 | | |
| -020 | 2X20 | 1.900/48.26 | 2.258/57.35 | | |
| -021 | 2X21 | 2.000/50.80 | 2.358/59.89 | | |
| -022 | 2X22 | 2.100/53.34 | 2.458/62.43 | | |
| -023 | 2X23 | 2.200/55.88 | 2.558/64.97 | | |
| -024 | 2X24 | 2.300/58.42 | 2.658/67.51 | | |
| -025 | 2X25 | 2.400/60.96 | 2.758/70.05 | | |
| -026 | 2X26 | 2.500/63.50 | 2.858/72.59 | | |
| -027 | 2X27 | 2.600/66.04 | 2.958/75.13 | | |
| -028 | 2X28 | 2.700/68.58 | 3.058/77.67 | | |
| -029 | 2X29 | 2.800/71.12 | 3.158/80.21 | | |
| -030 | 2X30 | 2.900/73.66 | 3.258/82.75 | | |
| -031 | 2X31 | 3.000/76.20 | 3.358/85.29 | | |
| -032 | 2X32 | 3.100/78.74 | 3.458/87.83 | | |
| -033 | 2X33 | 3.200/81.28 | 3.558/90.37 | | |
| -034 | 2X34 | 3.300/83.82 | 3.658/92.91 | | |
| -035 | 2X35 | 3.400/86.36 | 3.758/95.45 | | |
| -036 | 2X36 | 3.500/88.90 | 3.858/97.99 | | |
| -037 | 2X37 | 3.600/91.44 | 3.958/100.53 | | |
| -038 | 2X38 | 3.700/93.98 | 4.058/103.07 | | |
| -039 | 2X39 | 3.800/96.52 | 4.158/105.61 | | |
| 66527-040 | 2X40 | 3.900/99.60 | 4.258/108.15 | NO | |

| | | | | |
|-------------|---------------------|----------------------------------|------------|--------------------------------------|
| mat'l code | surface ISO 1302 | tolerance ISO 406 ISO 1101 | projection | product family CARD CONN. |
| itr | ecr no | dr | date | title GUIDE PIN CARD CONNECTOR |
| v | | | | dwg no 66527 |
| | angles | linear | scale 4:1 | sheet 3 of 6 size A3 |
| | 0°±2° | C.DAILY | 11/18/02 | type Product Customer Drawing |
| | enrg | H.SUNDY | 11/18/02 | |
| | chr | H.SUNDY | 11/18/02 | |
| | appd | H.SUNDY | 11/18/02 | |
| sheet index | revision sheet | | | |

PDM: Rev:V STATUS:Released Printed: Oct 13, 2010

| PRODUCT NO. NOTE 9 | NO. OF POS. | A DIM | B DIM | INSUL. PLUG | SPECIAL |
|-----------------------|----------------|--------------|--------------|----------------|---------|
| 66527-041 | 2X41 | 4.000/101.60 | 4.358/110.69 | NO | |
| -042 | 2X42 | 4.100/104.14 | 4.458/113.23 | | |
| -043 | 2X43 | 4.200/106.68 | 4.558/115.77 | | |
| -044 | 2X44 | 4.300/109.22 | 4.658/118.31 | | |
| -045 | 2X45 | 4.400/111.76 | 4.758/120.85 | | |
| -046 | 2X46 | 4.500/114.30 | 4.858/123.39 | | |
| -047 | 2X47 | 4.600/116.84 | 4.958/125.93 | | |
| -048 | 2X48 | 4.700/119.38 | 5.058/128.47 | | |
| -049 | 2X49 | 4.800/121.92 | 5.158/131.01 | | |
| -050 | 2X50 | 4.900/124.46 | 5.258/133.55 | | |
| -051 | 2X51 | 5.000/127.00 | 5.358/136.09 | | |
| -052 | 2X52 | 5.100/129.54 | 5.458/138.63 | | |
| -053 | 2X53 | 5.200/132.08 | 5.558/141.17 | | |
| -054 | 2X54 | 5.300/134.62 | 5.658/143.71 | | |
| -055 | 2X55 | 5.400/137.16 | 5.758/146.25 | | |
| -056 | 2X56 | 5.500/139.70 | 5.858/148.79 | | |
| -057 | 2X57 | 5.600/142.24 | 5.958/151.33 | | |
| -058 | 2X58 | 5.700/144.78 | 6.058/153.87 | | |
| -059 | 2X59 | 5.800/147.32 | 6.158/156.41 | | |
| -060 | 2X60 | 5.900/149.86 | 6.258/158.95 | | |
| -061 | 2X61 | 6.000/152.40 | 6.358/161.49 | | |
| -062 | 2X62 | 6.100/154.94 | 6.458/164.03 | | |
| -063 | 2X63 | 6.200/157.48 | 6.558/166.57 | | |
| -064 | 2X64 | 6.300/160.02 | 6.658/169.11 | | |
| 66527-065 | 2X65 | 6.400/162.56 | 6.758/171.65 | NO | |
| 066 THRU | | | | | |
| 100 | | | | | |

OBSOLETE



Copyright FCI

| | | | | |
|-------------|---------------------|----------------------------------|------------|---------------------------------------|
| mat'l. code | surface ISO 1302 | tolerance ISO 406 ISO 1101 | projection | product family CARD CONN. |
| itr | ecm no | dr | date | tolerances unless otherwise specified |
| V | | | | angles |
| | | | | linear |
| | | | | 0°±2° |
| | | | | dr |
| | | | | engr |
| | | | | chr |
| | | | | appd |
| sheet index | revision sheet | | | |



| PRODUCT NO. NOTE 9 | NO. OF POS. | A DIM | B DIM | INSUL. PLUG | SPECIAL |
|-----------------------|----------------|-------------|--------------|----------------|---------|
| 66527-501 | | UNAVAILABLE | | | |
| -502 | 2X2 | .100/2.54 | .458/11.63 | YES | |
| -503 | 2X3 | .200/5.08 | .558/14.17 | | |
| -504 | 2X4 | .300/7.62 | .658/16.71 | | |
| -505 | 2X5 | .400/10.16 | .758/19.25 | | |
| -506 | 2X6 | .500/12.70 | .858/21.79 | | |
| -507 | 2X7 | .600/15.24 | .958/24.33 | | |
| -508 | 2X8 | .700/17.78 | 1.058/26.87 | | |
| -509 | 2X9 | .800/20.32 | 1.158/29.41 | | |
| -510 | 2X10 | .900/22.86 | 1.258/31.95 | | |
| -511 | 2X11 | 1.000/25.4 | 1.358/34.49 | | |
| -512 | 2X12 | 1.100/27.94 | 1.458/37.03 | | |
| -513 | 2X13 | 1.200/30.48 | 1.558/39.57 | | |
| -514 | 2X14 | 1.300/33.02 | 1.658/42.11 | | |
| -515 | 2X15 | 1.400/35.56 | 1.758/44.65 | | |
| -516 | 2X16 | 1.500/38.10 | 1.858/47.19 | | |
| -517 | 2X17 | 1.600/40.64 | 1.958/49.73 | | |
| -518 | 2X18 | 1.700/43.18 | 2.058/52.27 | | |
| -519 | 2X19 | 1.800/45.72 | 2.158/54.81 | | |
| -520 | 2X20 | 1.900/48.26 | 2.258/57.35 | | |
| -521 | 2X21 | 2.000/50.80 | 2.358/59.89 | | |
| -522 | 2X22 | 2.100/53.34 | 2.458/62.43 | | |
| -523 | 2X23 | 2.200/55.88 | 2.558/64.97 | | |
| -524 | 2X24 | 2.300/58.42 | 2.658/67.51 | | |
| -525 | 2X25 | 2.400/60.96 | 2.758/70.05 | | |
| -526 | 2X26 | 2.500/63.50 | 2.858/72.59 | | |
| -527 | 2X27 | 2.600/66.04 | 2.958/75.13 | | |
| -528 | 2X28 | 2.700/68.58 | 3.058/77.67 | | |
| -529 | 2X29 | 2.800/71.12 | 3.158/80.21 | | |
| -530 | 2X30 | 2.900/73.66 | 3.258/82.75 | | |
| -531 | 2X31 | 3.000/76.20 | 3.358/85.29 | | |
| -532 | 2X32 | 3.100/78.74 | 3.458/87.83 | | |
| -533 | 2X33 | 3.200/81.28 | 3.558/90.37 | | |
| -534 | 2X34 | 3.300/83.82 | 3.658/92.91 | | |
| -535 | 2X35 | 3.400/86.36 | 3.758/95.45 | | |
| -536 | 2X36 | 3.500/88.90 | 3.858/97.99 | | |
| -537 | 2X37 | 3.600/91.44 | 3.958/100.53 | | |
| -538 | 2X38 | 3.700/93.98 | 4.058/103.07 | | |
| -539 | 2X39 | 3.800/96.52 | 4.158/105.61 | | |
| 66527-540 | 2X40 | 3.900/99.60 | 4.258/108.15 | YES | |

| | | | | |
|-------------|---------------------|----------------------------------|------------|---------------------------------------|
| mat'l. code | surface ISO 1802 | tolerance ISO 406 ISO 1101 | projection | product family CARD CONN. |
| itr | ecm no | dr | date | tolerances unless otherwise specified |
| V | | | | angles linear |
| | | | | 0°±2° |
| | | | | dr C.DAILY 11/18/02 |
| | | | | enrg H.SUNDY 11/18/02 |
| | | | | chr H.SUNDY 11/18/02 |
| | | | | appd H.SUNDY 11/18/02 |
| sheet index | revision sheet | | | |

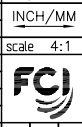
| | | |
|--------------------------------------|--------------|------------------------------|
| INCH/MM | scale 4:1 | product family CARD CONN. |
| title GUIDE PIN CARD CONNECTOR | | |
| dwg no 66527 | sheet 5 of 6 | size A3 |
| type Product Customer Drawing | | |

PDM: Rev:V STATUS:Released Printed: Oct 13, 2010

| PRODUCT NO. NOTE 9 | NO. OF POS. | A DIM | B DIM | INSUL. PLUG | SPECIAL |
|-----------------------|----------------|--------------|--------------|----------------|------------|
| 66527-541 | 2X41 | 4.000/101.60 | 4.358/110.69 | YES | |
| -542 | 2X42 | 4.100/104.14 | 4.458/113.23 | | |
| -543 | 2X43 | 4.200/106.68 | 4.558/115.77 | | |
| -544 | 2X44 | 4.300/109.22 | 4.658/118.31 | | |
| -545 | 2X45 | 4.400/111.76 | 4.758/120.85 | | |
| -546 | 2X46 | 4.500/114.30 | 4.858/123.39 | | |
| -547 | 2X47 | 4.600/116.84 | 4.958/125.93 | | |
| -548 | 2X48 | 4.700/119.38 | 5.058/128.47 | | |
| -549 | 2X49 | 4.800/121.92 | 5.158/131.01 | | |
| -550 | 2X50 | 4.900/124.46 | 5.258/133.55 | | |
| -551 | 2X51 | 5.000/127.00 | 5.358/136.09 | | |
| -552 | 2X52 | 5.100/129.54 | 5.458/138.63 | | |
| -553 | 2X53 | 5.200/132.08 | 5.558/141.17 | | |
| -554 | 2X54 | 5.300/134.62 | 5.658/143.71 | | |
| -555 | 2X55 | 5.400/137.16 | 5.758/146.25 | | |
| -556 | 2X56 | 5.500/139.70 | 5.858/148.79 | | |
| -557 | 2X57 | 5.600/142.24 | 5.958/151.33 | | |
| -558 | 2X58 | 5.700/144.78 | 6.058/153.87 | | |
| -559 | 2X59 | 5.800/147.32 | 6.158/156.41 | | |
| -560 | 2X60 | 5.900/149.86 | 6.258/158.95 | | |
| -561 | 2X61 | 6.000/152.40 | 6.358/161.49 | | |
| -562 | 2X62 | 6.100/154.94 | 6.458/164.03 | | |
| -563 | 2X63 | 6.200/157.48 | 6.558/166.57 | | |
| -564 | 2X64 | 6.300/160.02 | 6.658/169.11 | | |
| 66527-565 | 2X65 | 6.400/162.56 | 6.758/171.65 | YES | |
| -566 THRU | | | | | |
| -600 | | | | | |
| 66527-800 | 2X50 | 4.900/124.46 | 5.258/133.55 | NO | SEE NOTE 6 |
| -801 | 2X30 | 2.900/73.66 | 3.258/82.75 | NO | SEE NOTE 6 |
| -802 | 2X40 | 3.900/99.066 | 4.258/108.15 | NO | SEE NOTE 6 |
| 66527-803 | 2X25 | 2.400/60.96 | 2.758/70.05 | YES | SEE NOTE 6 |

OBSOLETE

| | | | | |
|-------------|---------------------|----------------------------------|------------|---------------------------------------|
| mat'l. code | surface ISO 1302 | tolerance ISO 406 ISO 1101 | projection | product family CARD CONN. |
| itr | ecr no | dr | date | tolerances unless otherwise specified |
| V | | | | angles linear |
| | | | | 0°±2° |
| | | | | dr C.DAILY 11/18/02 |
| | | | | enrg H.SUNDY 11/18/02 |
| | | | | chr H.SUNDY 11/18/02 |
| | | | | appd H.SUNDY 11/18/02 |
| sheet index | revision sheet | | | |



title
GUIDE PIN
CARD CONNECTOR
dwg no 66527 sheet 6 of 6 size A3
type Product Customer Drawing