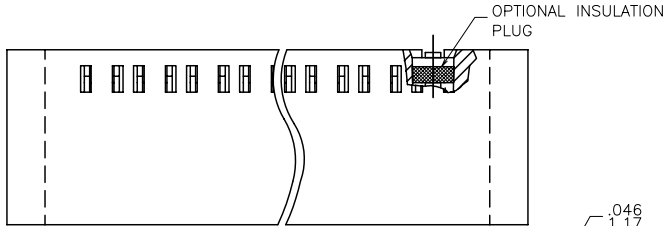
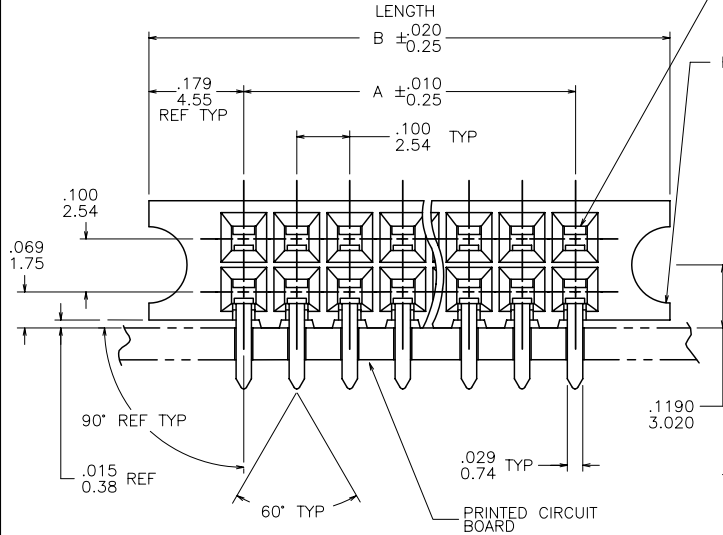


PRODUCT NO.
SEE TABLE

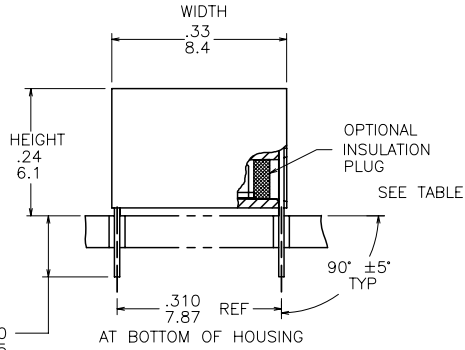


OPTIONAL INSULATION
PLUG



.046 SQUARE CONTACT
OPENING TYP

R .072 \pm .003
-.002 TYP
1.83 \pm 0.08
-.005



OPTIONAL
INSULATION
PLUG
SEE TABLE



PRINTED CIRCUIT
BOARD

mat'l code	surface	tolerance	projection	product family
ISO 1902	ISO 406	ISO 1101	ISO 1101	CARD CONN.
tolerances unless otherwise specified	linear		INCH/MM	title
XX ±.01/XX±.03	XX ±.05/XX±.13		scale 4:1	GUIDE PIN CARD CONNECTOR
XXX ±.002/XXX±.05	C.DAILY		FCJ	dwg no 66527 sheet 1 of 6 size A3
type Product Customer Drawing				

PRODUCT NO.
SEE TABLE

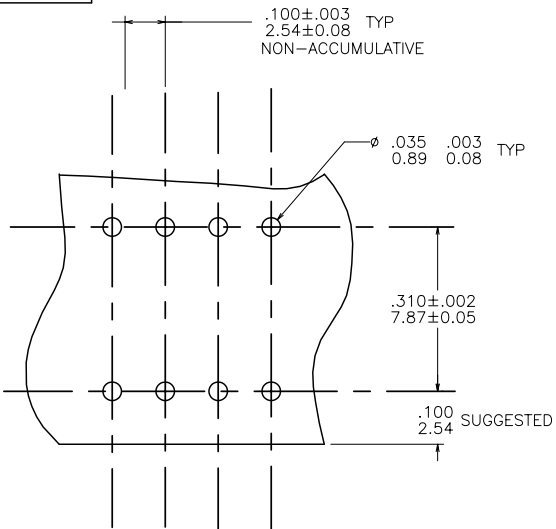


FIGURE 1

NOTES:

1. HOUSING MATERIAL:
FILLED HIGH TEMPERATURE NYLON
PER UL 94V-0
COLOR: BLACK
2. TERMINAL MATERIAL:
BODY: BRASS, .010/0.25 THICK
SPRING: BE-CU, HEAT TREATED
BODY PLATING DUPLEX :
30 MICROINCH/0.76 MICRON GOLD OR GXT
OVER 50 MICROINCH/1.27 MICRON NICKEL
IN CONTACT AREA
SOLDER TAIL : 100u"/2.54um PURE TIN MIN
OVER .050u"/1.27um NICKEL
SPRING PLATING: GOLD FLASH

3. MARK "FCI", FCI PART NUMBER AND DATE CODE.
LEGIBLE ON TUBE LABEL.
4. APPLICATION INFORMATION:
A. RECOMMENDED MOUNTING HOLE
PATTERN IS SHOWN IN FIGURE "1"
B. ALL MATING PINS TO BE .025/.64 SQUARE ON
TRUE CENTER OF GIVEN TERMINAL
SPACINGS WITHIN .015/0.38 DIA.
C. SUGGESTED MATING PIN LENGTH
.350±.020/8.89±0.51
5. MARK IN .060/1.52 HIGH LETTERS.(CONTRASTING
COLORS) - 9113 4445
FCI XXXX
DATE CODE
6. .003/0.08 THICK TERMINAL SPRING.
7. PACKAGING: STANDARD 24" LONG TUBES.
8. 550mm LONG SPECIAL SHORT TUBE PACKAGING:
ADD SUFFIX "A" TO PART DASH NUMBER. EXAMPLE: 66527-001A
9. ADD "LF" SUFFIX AT THE END OF PART NUMBER FOR
LEAD FREE OPTION.
10. THIS PRODUCT MEETS EUROPEAN UNION DIRECTIVES AND OTHER
COUNTRY REGULATION AS DESCRIBED IN GS-22-008.
11. THE HOUSING WILL WITHSTAND EXPOSURE TO 260°C PEAK TEMPERATURE
FOR 15 SECONDS IN A WAVE SOLDER APPLICATION WITH A 1.5mm
MINIMUM THICK CIRCUIT BOARD. SEE APPLICATION NOTES/PROCEDURES
IF THEY ARE AVAILABLE.
12. PLATING OPTIONS:
MAY BE EITHER GOLD OR GXT PLATED AT MANUFACTURER'S OPTION.

mat'l code		surface	tolerance	projection	product family
		ISO 1902	ISO 406 ISO 1101		CARD CONN.
itr	ecr no	dr	date	title	
V				GUIDE PIN CARD CONNECTOR	
		angles	linear	INCH/MM	scale 4:1
		0°±2°	.XX ±.01/.X0.3 .XXX ±.05/.XX0.13 .XXX ±.0020/.XXX0.051		sheet 2 of 6 size
dr		C.DAILY	11/18/02	66527 A3	
engr		H.SUNDY	11/18/02	type Product Customer Drawing	
chr		H.SUNDY	11/18/02		
appd		H.SUNDY	11/18/02		
sheet index	revision sheet				

PRODUCT NO. NOTE 9	NO. OF POS.	A DIM	B DIM	INSUL. PLUG	SPECIAL
66527-001		UNAVAILABLE			
-002	2X2	.100/2.54	.458/11.63	NO	
-003	2X3	.200/5.08	.558/14.17		
-004	2X4	.300/7.62	.658/16.71		
-005	2X5	.400/10.16	.758/19.25		
-006	2X6	.500/12.70	.858/21.79		
-007	2X7	.600/15.24	.958/24.33		
-008	2X8	.700/17.78	1.058/26.87		
-009	2X9	.800/20.32	1.158/29.41		
-010	2X10	.900/22.86	1.258/31.95		
-011	2X11	1.000/25.4	1.358/34.49		
-012	2X12	1.100/27.94	1.458/37.03		
-013	2X13	1.200/30.48	1.558/39.57		
-014	2X14	1.300/33.02	1.658/42.11		
-015	2X15	1.400/35.56	1.758/44.65		
-016	2X16	1.500/38.10	1.858/47.19		
-017	2X17	1.600/40.64	1.958/49.73		
-018	2X18	1.700/43.18	2.058/52.27		
-019	2X19	1.800/45.72	2.158/54.81		
-020	2X20	1.900/48.26	2.258/57.35		
-021	2X21	2.000/50.80	2.358/59.89		
-022	2X22	2.100/53.34	2.458/62.43		
-023	2X23	2.200/55.88	2.558/64.97		
-024	2X24	2.300/58.42	2.658/67.51		
-025	2X25	2.400/60.96	2.758/70.05		
-026	2X26	2.500/63.50	2.858/72.59		
-027	2X27	2.600/66.04	2.958/75.13		
-028	2X28	2.700/68.58	3.058/77.67		
-029	2X29	2.800/71.12	3.158/80.21		
-030	2X30	2.900/73.66	3.258/82.75		
-031	2X31	3.000/76.20	3.358/85.29		
-032	2X32	3.100/78.74	3.458/87.83		
-033	2X33	3.200/81.28	3.558/90.37		
-034	2X34	3.300/83.82	3.658/92.91		
-035	2X35	3.400/86.36	3.758/95.45		
-036	2X36	3.500/88.90	3.858/97.99		
-037	2X37	3.600/91.44	3.958/100.53		
-038	2X38	3.700/93.98	4.058/103.07		
-039	2X39	3.800/96.52	4.158/105.61		
66527-040	2X40	3.900/99.60	4.258/108.15	NO	

mat'l. code	surface ISO 1302	tolerance ISO 406 ISO 1101	projection	product family CARD CONN.
itr	ecm no	dr	date	title GUIDE PIN CARD CONNECTOR
v				dwg no 66527
	angles	linear	scale 4:1	sheet 3 of 6 size A3
	0°±2°	C.DAILY	11/18/02	type Product Customer Drawing
	enrg	H.SUNDY	11/18/02	
	chr	H.SUNDY	11/18/02	
	appd	H.SUNDY	11/18/02	
sheet index	revision sheet			

PDM: Rev:V STATUS:Released Printed: Oct 13, 2010

PRODUCT NO. NOTE 9	NO. OF POS.	A DIM	B DIM	INSUL. PLUG	SPECIAL
66527-041	2X41	4.000/101.60	4.358/110.69	NO	
-042	2X42	4.100/104.14	4.458/113.23		
-043	2X43	4.200/106.68	4.558/115.77		
-044	2X44	4.300/109.22	4.658/118.31		
-045	2X45	4.400/111.76	4.758/120.85		
-046	2X46	4.500/114.30	4.858/123.39		
-047	2X47	4.600/116.84	4.958/125.93		
-048	2X48	4.700/119.38	5.058/128.47		
-049	2X49	4.800/121.92	5.158/131.01		
-050	2X50	4.900/124.46	5.258/133.55		
-051	2X51	5.000/127.00	5.358/136.09		
-052	2X52	5.100/129.54	5.458/138.63		
-053	2X53	5.200/132.08	5.558/141.17		
-054	2X54	5.300/134.62	5.658/143.71		
-055	2X55	5.400/137.16	5.758/146.25		
-056	2X56	5.500/139.70	5.858/148.79		
-057	2X57	5.600/142.24	5.958/151.33		
-058	2X58	5.700/144.78	6.058/153.87		
-059	2X59	5.800/147.32	6.158/156.41		
-060	2X60	5.900/149.86	6.258/158.95		
-061	2X61	6.000/152.40	6.358/161.49		
-062	2X62	6.100/154.94	6.458/164.03		
-063	2X63	6.200/157.48	6.558/166.57		
-064	2X64	6.300/160.02	6.658/169.11		
66527-065	2X65	6.400/162.56	6.758/171.65	NO	
066 THRU					
100					

OBSOLETE



Copyright FCI

mat'l. code	surface ISO 1302	tolerance ISO 406 ISO 1101	projection	product family CARD CONN.
itr	ecm no	dr	date	tolerances unless otherwise specified
V				angles
				linear
				0°±2°
				dr
				engr
				chr
				appd
sheet index	revision sheet			



PRODUCT NO. NOTE 9	NO. OF POS.	A DIM	B DIM	INSUL. PLUG	SPECIAL
66527-501		UNAVAILABLE			
-502	2X2	.100/2.54	.458/11.63	YES	
-503	2X3	.200/5.08	.558/14.17		
-504	2X4	.300/7.62	.658/16.71		
-505	2X5	.400/10.16	.758/19.25		
-506	2X6	.500/12.70	.858/21.79		
-507	2X7	.600/15.24	.958/24.33		
-508	2X8	.700/17.78	1.058/26.87		
-509	2X9	.800/20.32	1.158/29.41		
-510	2X10	.900/22.86	1.258/31.95		
-511	2X11	1.000/25.4	1.358/34.49		
-512	2X12	1.100/27.94	1.458/37.03		
-513	2X13	1.200/30.48	1.558/39.57		
-514	2X14	1.300/33.02	1.658/42.11		
-515	2X15	1.400/35.56	1.758/44.65		
-516	2X16	1.500/38.10	1.858/47.19		
-517	2X17	1.600/40.64	1.958/49.73		
-518	2X18	1.700/43.18	2.058/52.27		
-519	2X19	1.800/45.72	2.158/54.81		
-520	2X20	1.900/48.26	2.258/57.35		
-521	2X21	2.000/50.80	2.358/59.89		
-522	2X22	2.100/53.34	2.458/62.43		
-523	2X23	2.200/55.88	2.558/64.97		
-524	2X24	2.300/58.42	2.658/67.51		
-525	2X25	2.400/60.96	2.758/70.05		
-526	2X26	2.500/63.50	2.858/72.59		
-527	2X27	2.600/66.04	2.958/75.13		
-528	2X28	2.700/68.58	3.058/77.67		
-529	2X29	2.800/71.12	3.158/80.21		
-530	2X30	2.900/73.66	3.258/82.75		
-531	2X31	3.000/76.20	3.358/85.29		
-532	2X32	3.100/78.74	3.458/87.83		
-533	2X33	3.200/81.28	3.558/90.37		
-534	2X34	3.300/83.82	3.658/92.91		
-535	2X35	3.400/86.36	3.758/95.45		
-536	2X36	3.500/88.90	3.858/97.99		
-537	2X37	3.600/91.44	3.958/100.53		
-538	2X38	3.700/93.98	4.058/103.07		
-539	2X39	3.800/96.52	4.158/105.61		
66527-540	2X40	3.900/99.60	4.258/108.15	YES	

mat'l. code	surface ISO 1802	tolerance ISO 406 ISO 1101	projection	product family CARD CONN.
itr	ecm no	dr	date	tolerances unless otherwise specified
v				angles linear
				0°±2°
				dr C.DAILY 11/18/02
				enrg H.SUNDY 11/18/02
				chr H.SUNDY 11/18/02
				appd H.SUNDY 11/18/02
sheet index	revision sheet			

title	product family
GUIDE PIN CARD CONNECTOR	CARD CONN.
dwg no	sheet 5 of 6 size
66527	A3
type	Product Customer Drawing

PDM: Rev:V STATUS:Released Printed: Oct 13, 2010

PRODUCT NO. NOTE 9	NO. OF POS.	A DIM	B DIM	INSUL. PLUG	SPECIAL
66527-541	2X41	4.000/101.60	4.358/110.69	YES	
-542	2X42	4.100/104.14	4.458/113.23		
-543	2X43	4.200/106.68	4.558/115.77		
-544	2X44	4.300/109.22	4.658/118.31		
-545	2X45	4.400/111.76	4.758/120.85		
-546	2X46	4.500/114.30	4.858/123.39		
-547	2X47	4.600/116.84	4.958/125.93		
-548	2X48	4.700/119.38	5.058/128.47		
-549	2X49	4.800/121.92	5.158/131.01		
-550	2X50	4.900/124.46	5.258/133.55		
-551	2X51	5.000/127.00	5.358/136.09		
-552	2X52	5.100/129.54	5.458/138.63		
-553	2X53	5.200/132.08	5.558/141.17		
-554	2X54	5.300/134.62	5.658/143.71		
-555	2X55	5.400/137.16	5.758/146.25		
-556	2X56	5.500/139.70	5.858/148.79		
-557	2X57	5.600/142.24	5.958/151.33		
-558	2X58	5.700/144.78	6.058/153.87		
-559	2X59	5.800/147.32	6.158/156.41		
-560	2X60	5.900/149.86	6.258/158.95		
-561	2X61	6.000/152.40	6.358/161.49		
-562	2X62	6.100/154.94	6.458/164.03		
-563	2X63	6.200/157.48	6.558/166.57		
-564	2X64	6.300/160.02	6.658/169.11		
66527-565	2X65	6.400/162.56	6.758/171.65	YES	
-566 THRU					
-600					
66527-800	2X50	4.900/124.46	5.258/133.55	NO	SEE NOTE 6
-801	2X30	2.900/73.66	3.258/82.75	NO	SEE NOTE 6
-802	2X40	3.900/99.066	4.258/108.15	NO	SEE NOTE 6
66527-803	2X25	2.400/60.96	2.758/70.05	YES	SEE NOTE 6

OBSOLETE

mat'l code	surface ISO 1302	tolerance ISO 406 ISO 1101	projection	product family CARD CONN.
itr	ecr no	dr	date	tolerances unless otherwise specified
V				angles linear
				0°±2°
				dr C.DAILY 11/18/02
				enrg H.SUNDY 11/18/02
				chr H.SUNDY 11/18/02
				appd H.SUNDY 11/18/02
sheet index	revision sheet			

projection	product family
INCH/MM	CARD CONN.
scale 4:1	title
	GUIDE PIN CARD CONNECTOR
	dwg no 66527 sheet 6 of 6 size A3
	type Product Customer Drawing