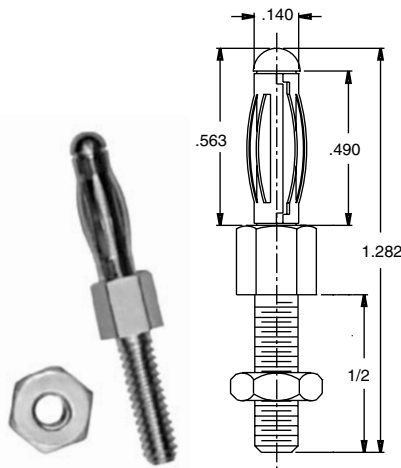


Uninsulated Banana Plugs



425

425 Caged Spring Banana Plug

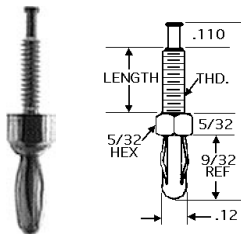
- Body is precision machined from brass and nickel plated. Hardware included.
- Caged springs are made from beryllium copper and are nickel plated.
- Also available with gold plating (# 425AA).

This caged spring banana plug features nine 'leaves' for greater contact during use. It is designed with a 6-32 threaded post for ease of assembly.

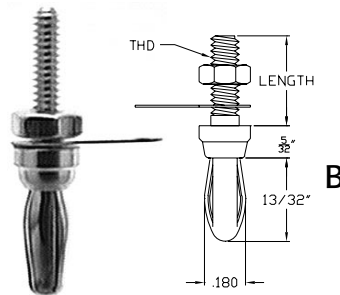
Uninsulated banana plugs have nickel plated brass bodies with nickel plated beryllium copper springs. All plugs shown here feature a male threaded stud as indicated in table.

Hardware is included (except with part 192).

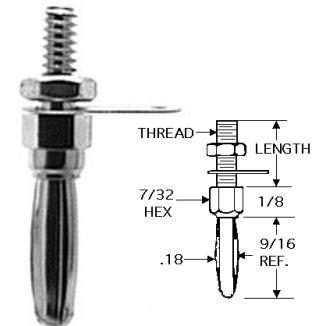
PART NO.	FIG.	TYPE	STUD		AMPS AC
			THREAD	LENGTH	
192	A	Mini.	2-56	17/64	5
460	B	Short	4-40	3/8	10
462					
401	C	Standard	6-32	1/2	15
103				3/8	
102				1/2	
432	D		1/4-32	11/32	
145	E		6-32	29/32	
100	F				



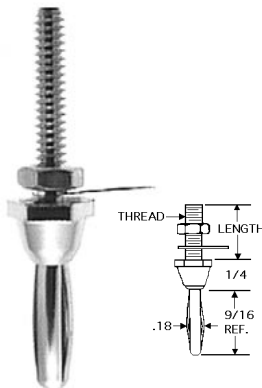
A



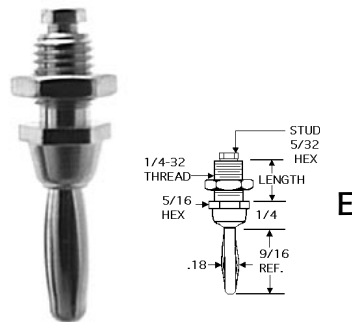
B



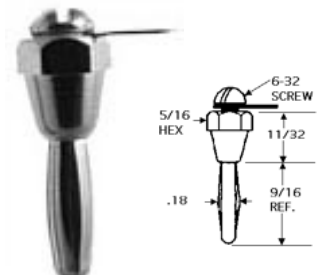
C



D



E



F