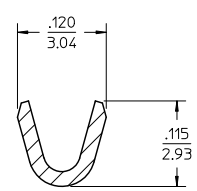
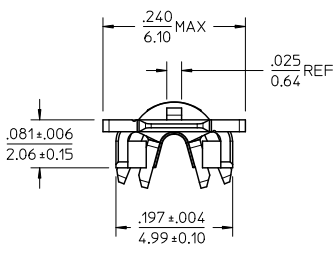
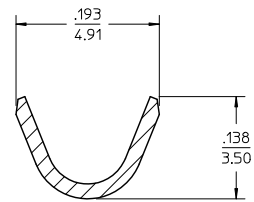


13 12 11 10 9 8 7 6 5 4 3 2 1

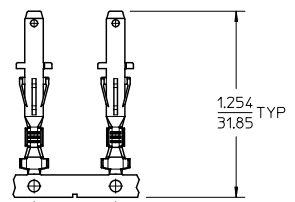


SECTION W-W
SCALE 10:1
CONDUCTOR CRIMP

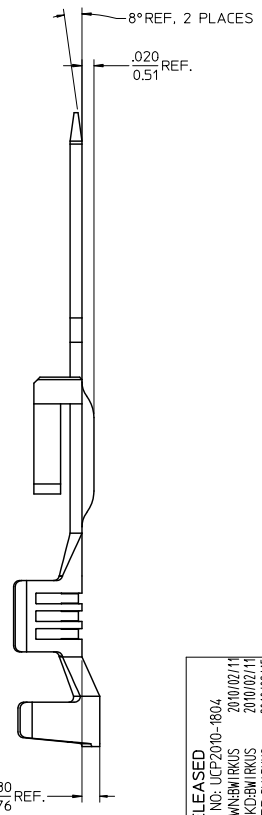
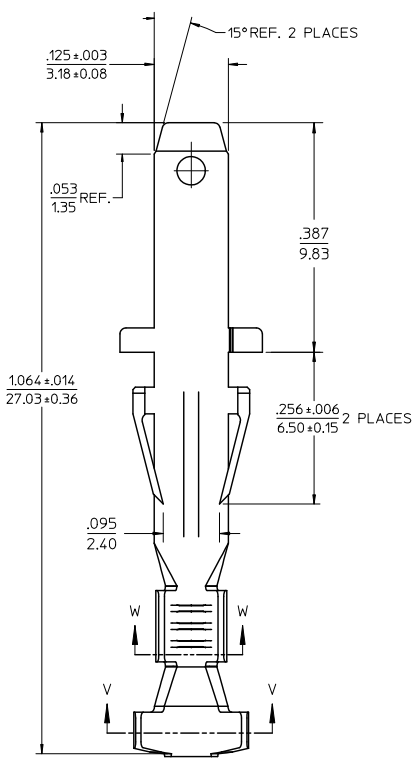


SECTION V-V
SCALE 10:1
INSULATION CRIMP

MATERIAL NUMBER	FINISH
43178-4001	999
43178-4002	H901



CARRIER STRIP PROGRESSION
SCALE 2:1



- NOTES
1. MATERIAL: BRASS
 2. FINISH:
999 - UNPLATED
H901 - 20 MICROINCH / 0.5 MICROMETERE MIN. PREPLATED HOT TIN DIP
 3. PRODUCT SPECIFICATION: PS-44441-001
 4. PACKAGING: TERMINALS ARE WOUND ON 30' REELS WITH PAPER INTERLEAF. 6000 PER REEL.
 5. TERMINAL ACCEPTS SINGLE #18 OR #20 AWG STRANDED WIRE, INSULATION: UL TYPE 1015, .098-.110 / 2.50-2.85 DIAMETER, (.031 / 0.79 NOMINAL JACKET WALL THICKNESS).
 6. TERMINAL FOR USE IN 'SABRE' PLUG HOUSINGS, SERIES 43680. MATES TO 43374 / 43375 SERIES TERMINALS.
 7. TERMINAL HAS TPA (TOTAL POSITIONING ASSURANCE) OPTIONAL ACTIVATION FEATURE THAT WHEN ACTIVATED AND USED WITH MOLEX 'SABRE' SERIES PLUG HOUSINGS PROVIDES A SECONDARY LOCK SYSTEM WHICH ENSURES AGAINST TERMINAL BACKOUTS.

QUALITY SYMBOLS	GENERAL TOLERANCES (UNLESS SPECIFIED)		DIMENSION STYLE		SCALE	DESIGN UNITS	THIRD ANGLE PROJECTION	
	mm	INCH	IN/MM	INCH	8:1	INCH		
▽=0	4 PLACES ±---	±---	DRAWN BY	DATE	TITLE			
▽=0	3 PLACES ±---	±.010	CSTEWART	02-23-06	TERMINAL, MALE CRIMP,			
	2 PLACES ±0.25	±.014	CHECKED BY	DATE	18-20 AWG, .125 WIDE TAB			
	1 PLACE ±0.35	±---	BWIRKUS	02-23-06	SABRE SERIES, W/ TPA			
	ANGULAR ±1/2°		APPROVED BY	DATE	MOLEX INCORPORATED			
			BWIRKUS	02-23-06	MOLEX INCORPORATED			
			MATERIAL NO.	DOCUMENT NO.	SHEET NO.			
			SEE CHART	SD-43178-002	1 OF 1			
			THIS DRAWING CONTAINS INFORMATION THAT IS PROPRIETARY TO MOLEX INCORPORATED AND SHOULD NOT BE USED WITHOUT WRITTEN PERMISSION					

12 11 10 9 8 7 6 5 4 3 2 1