

3M™ Round, Jacketed, Flat Cable

.050" 28 AWG Stranded, Mass-Term, PVC/PVC

3834 Series



- High flex life cable product in a round jacketed construction permits flexing
- Round construction permits easier routing
- 28 AWG wire on .050 inch wire spacing permits mass termination to broad line of IDC connectors
- Continuous split/bond repeat allows for mass termination on 2.4 inch centers (approximate)
- Meets external wiring requirements of National Electrical Code, Article 725 (CL2)
- Primary cable is zippable for branching or discrete terminations
- UL listed for USA and Canadian markets
- See the Regulatory Information Appendix (RIA) in the "RoHS compliance" section of www.3Mconnector.com for compliance information (RIA E1 & C1 apply)

Date Modified: July 13, 2010

TS-1006-B
Sheet 1 of 2

Physical

Jacket Material: Polyvinyl Chloride (PVC)

Color: Black

Primary Material: PVC

Marking Standard: (UL) CL2 75C 28 AWG 3M NU AWM IIA/B 80C 300V FT1 EU <50V
28 AWG, 19 × 40 AWG [19 × ϕ 0.79] Silver Plated Stranded Copper Alloy

Conductors: (89% conductivity)

Inner Wrap: Polyester Film

Electrical

Voltage Rating: USA: N.E.C. 725, CL2 Canada: 300V EU: <50V

Insulation Resistance: (Primary Cable) > $1 \times 10^{10} \Omega/10 \text{ ft.}$ [3 m]

Characteristic Impedance:	Unbalanced	Balanced
	75 Ω	128 Ω

Capacitance: 22.4 pF/ft [73.5 pF/m]	12.8 pF/ft [42.00 pF/m]
--	---------------------------

Inductance: 0.12 $\mu\text{H/ft}$ [0.41 $\mu\text{H/m}$]	0.21 $\mu\text{H/ft}$ [0.69 $\mu\text{H/m}$]
---	--

Propagation Delay: 1.67 ns/ft [1.57 ns/m]	1.64 ns/ft [5.38 ns/m]
--	--------------------------

Velocity of Propagation: 61%	62%
-------------------------------------	-----

Note: Unbalanced is measured between ground-signal-ground conductors. Balanced is measured between conductors within a pair.

Environmental

Temperature Rating: USA: CL2: 75°C; Canada: 80°C

Flammability Rating: USA: N.E.C. 725, CL2; Canada: FT1

UL File No.: E118773, Power Limited Circuit Cable: CL2

3M
Interconnect Solutions
<http://www.3Mconnector.com>

3M is a trademark of 3M Company.
For technical, sales or ordering information call
800-225-5373

3M™ Round, Jacketed, Flat Cable

.050" 28 AWG Stranded, Mass-Term, PVC/PVC

3834 Series

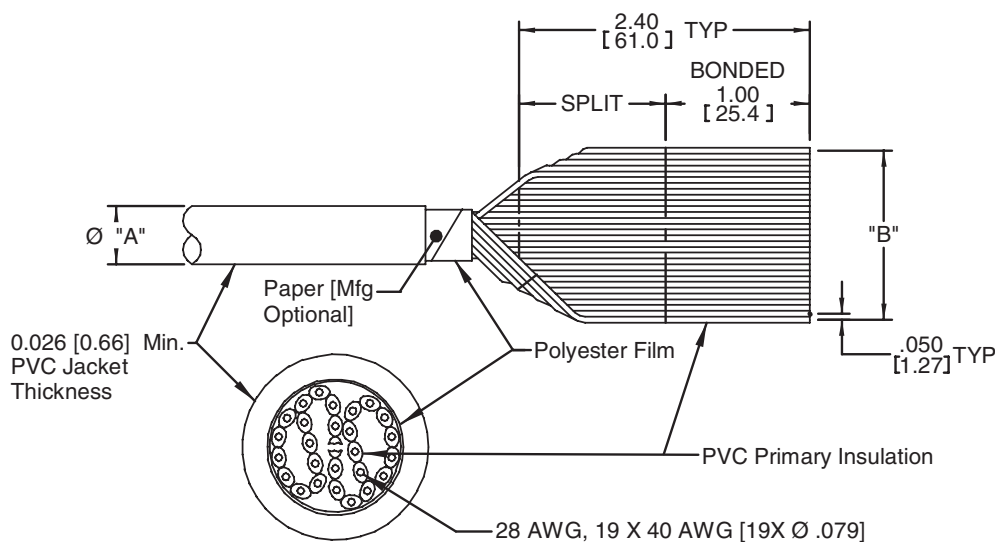


Inch
[mm]

Tolerance Unless Noted			
	.0	.00	.000
Inch	±.1	±.05	±.010

[] Dimensions for Reference Only

Number of Conductors	3M Part Number	Dimension A ± .03	Dimension B (See Note 2)
10	3834/10	0.26 [6.6]	0.45 [11.4]
14	3834/14	0.27 [6.9]	0.65 [16.5]
16	3834/16	0.27 [6.9]	0.75 [19.1]
20	3834/20	0.30 [7.6]	0.95 [24.1]
24	3834/24	0.33 [8.4]	1.15 [29.2]
26	3834/26	0.33 [8.4]	1.25 [31.8]
34	3834/34	0.37 [9.4]	1.65 [41.9]
40	3834/40	0.39 [9.9]	1.95 [49.5]
50	3834/50	0.44 [11.2]	2.45 [62.2]
60	3834/60	0.47 [11.9]	2.95 [74.9]
64	3834/64	0.50 [12.7]	3.15 [80.0]



Notes:

1. Red marking on one edge of primary cable designates wire #1.
2. Dimension B pertains to bonded area only.

Ordering Information

3834/XX XX XX

Number of Conductors
(See Table)

Blank = Standard
S0 = Continuously Bonded Wire (No Split)

Blank = Standard
SF = Splice Free

Note3:

Available in standard 275 ft. Contact 3M for availability of additional conductor counts and/or custom roll lengths.

TS-1006-B
Sheet 2 of 2

Important Notice

All statements, technical information, and recommendations related to 3M's products are based on information believed to be reliable, but the accuracy or completeness is not guaranteed. Before using this product, you must evaluate it and determine if it is suitable for your intended application. You assume all risks and liability associated with such use. Any statements related to the product which are not contained in 3M's current publications, or any contrary statements contained on your purchase order shall have no force or effect unless expressly agreed upon, in writing, by an authorized officer of 3M.

Warranty; Limited Remedy; Limited Liability.

This product will be free from defects in material and manufacture for a period of one (1) year from the time of purchase. **3M MAKES NO OTHER WARRANTIES INCLUDING, BUT NOT LIMITED TO, ANY IMPLIED WARRANTY OF MERCHANTABILITY OR FITNESS FOR A PARTICULAR PURPOSE.** If this product is defective within the warranty period stated above, your exclusive remedy shall be, at 3M's option, to replace or repair the 3M product or refund the purchase price of the 3M product. **Except where prohibited by law, 3M will not be liable for any indirect, special, incidental or consequential loss or damage arising from this 3M product, regardless of the legal theory asserted.**

**3M Electronics Solutions Division**

6801 River Place Blvd.
Austin, TX 78726-9000
U.S.A.
1-800-225-5373
www.3Mconnector.com

Please recycle. Printed in USA.
© 3M 2010. All rights reserved.
RIA-2217B-E

3M is a trademark of 3M Company.