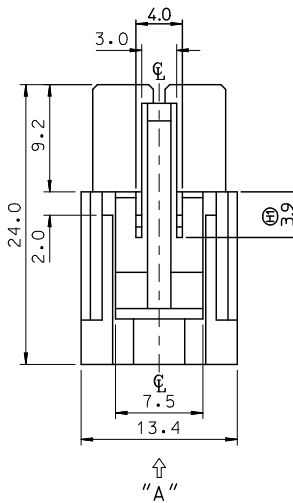
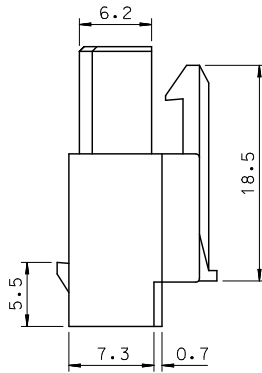
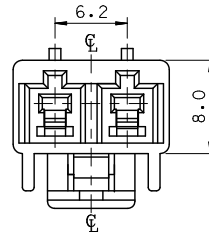
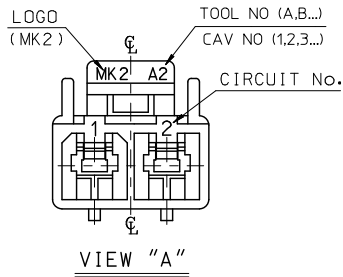


10 9 8 7 6 5 4 3 2 1

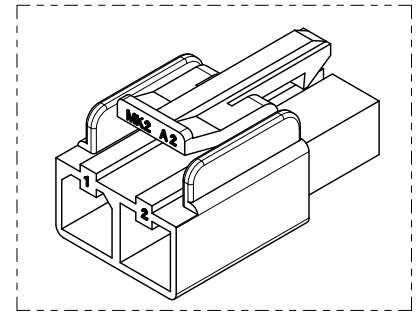


NOTES.

1. MATERIAL : SEE TABLE

N	PRODUCT		MATERIAL	
	PART NO	MATERIAL NO	COLOR	DESCRIPTION
1	35151-0210	351510210	NATURAL	PBT UL94V-0
2	35151-0211	351510211	BLACK	
3	35151-0212	351510212	RED	
4	35151-0214	351510214	BLUE	PC/PET UL94V-0
5	35151-0219	351510219	NATURAL	
6	35151-2219	351512219	RED	
7	35151-3219	351513219	YELLOW	
8	35151-4219	351514219	BLUE	

- 2. MATED HOUSING : 35150-020*, 35150-021*
- 3. APPLICABLE TERMINAL : 35746-0*10
- 4. APPLICABLE T.P.A : 35150-0290
- 5. PRODUCT SPECIFICATION : PS-35150-001



REVISED EC NO: KOR2010-0046 DRWN: JHPARK01 2010/01/25 CHKD: WY. YANG 2010/01/25 APPR: YUNSIKKIM 2010/01/26 H1	QUALITY SYMBOLS ▽=0 ▽/7=0	GENERAL TOLERANCES (UNLESS SPECIFIED)		DIMENSION STYLE MM ONLY		SCALE 3:1	DESIGN UNITS METRIC	THIRD ANGLE PROJECTION		
		4 PLACES ± --- ± ---	3 PLACES ± --- ± ---	2 PLACES ± --- ± ---	1 PLACE ± 0.30 ± ---	ANGULAR ± 1 °	DRAWN BY JS. KANG	DATE 1992/11/17	TITLE 6.2 PITCH W/W CONN FEMALE HSG-2P	
		DRAFT WHERE APPLICABLE MUST REMAIN WITHIN DIMENSIONS		SEE TABLE	MATERIAL NO. SD-35151-021*	MOLEX INCORPORATED	APPROVED BY CW. LEE	DATE 1992/11/17	DOCUMENT NO.	SHEET NO. 1 OF 01
		THIS DRAWING CONTAINS INFORMATION THAT IS PROPRIETARY TO MOLEX INCORPORATED AND SHOULD NOT BE USED WITHOUT WRITTEN PERMISSION								

9 8 7 6 5 4 3 2 1