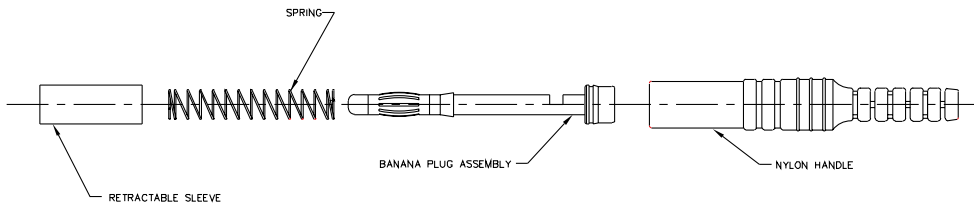


Insulated Banana Plugs

289

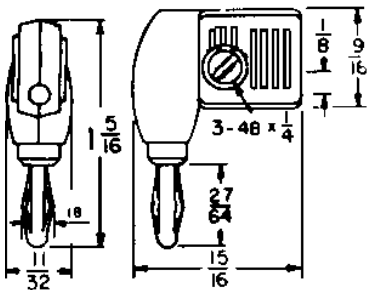
Shrouded Safety Banana Plug

- Brass body has beryllium copper caged spring and is gold plated.
- Housing is molded nylon type 6/6.
- Plug is supplied unassembled for immediate application. Available in red (-102) or black (-103).

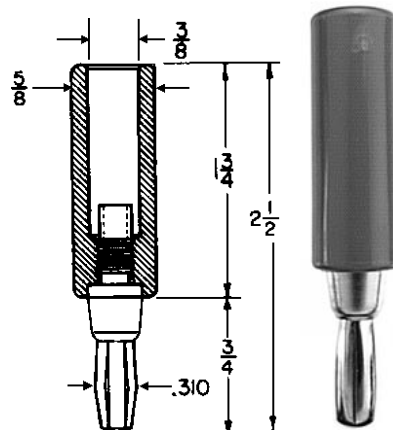


289

- Each plug shown below has a special feature and each is machined from brass and is nickel plated. Insulating material is indicated in table.
- Available in red (-102) or black (-103). Please add color as suffix to part number.



A



B

PART NO.	ILLUS.	TYPE	HANDLE	WIRING	RATING
255	A	Right Angle	ABS	Solder Well	10 Amps - 1KV
285	B	Giant	Nylon	Solder Well	25 Amps - 2KV