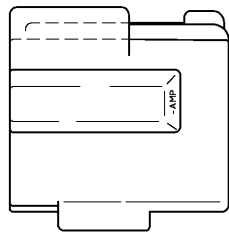
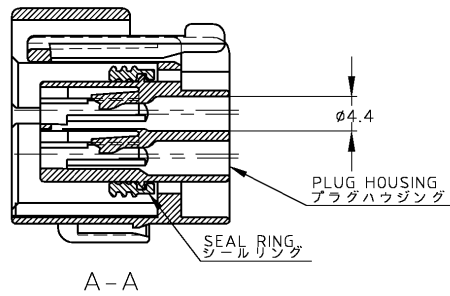
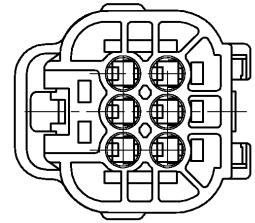
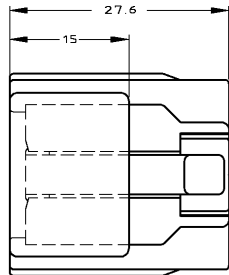
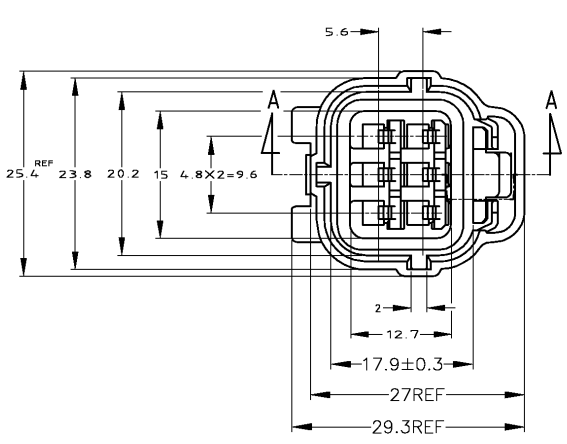


THIS DRAWING IS UNPUBLISHED. RELEASED FOR PUBLICATION  
 COPYRIGHT BY TYCO ELECTRONICS CORPORATION. ALL RIGHTS RESERVED.

REVISONS		DATE	DWN	APVD
P	LTR	DESCRIPTION		
A2		ADD SHEET 2 OF 2	09FEB04	TS



1. 嵌合相手型番: 174264, 173920
2. 本品はプラグハウジング単体にシールリングがアッセンブリされたものである。
3. 本品はダブルロックプレート型番 174263を装着して使用する。

1. FOR CAP HOUSING PN 174264, 173920
2. THIS PART IS COMPOSED OF PLUG HOUSING AND SEAL RING
3. THIS PART MUST BE USED WITH DOUBLE LOCK PLATE PN 174263

黒 (BLACK)	174262-2
色 (COLOR)	P/N

TOLERANCE UNLESS OTHERWISE SPECIFIED  
 一般公差

0 <= X <= 10	: ±0.2
10 <= X <= 30	: ±0.25
30 <= X <= 100	: ±0.3
ANGLE 角度	: ±0.3°

THIS DRAWING IS A CONTROLLED DOCUMENT.

DIMENSIONS: 単位, 精 MM	TOLERANCES UNLESS OTHERWISE SPECIFIED 一般公差	DWN A. YAMAGUCHI 30JUL02	 Tyco Electronics AMP K.K. Kawasaki, Japan												
	<table border="1"> <tr> <td>0 PLC</td> <td>±</td> </tr> <tr> <td>1 PLC</td> <td>±</td> </tr> <tr> <td>2 PLC</td> <td>±</td> </tr> <tr> <td>3 PLC</td> <td>±</td> </tr> <tr> <td>4 PLC</td> <td>±</td> </tr> <tr> <td>ANGLES</td> <td>±</td> </tr> </table>	0 PLC		±	1 PLC	±	2 PLC	±	3 PLC	±	4 PLC	±	ANGLES	±	CHK K. ODA 30JUL02
		0 PLC	±												
1 PLC	±														
2 PLC	±														
3 PLC	±														
4 PLC	±														
ANGLES	±														
MATERIAL 材料 PBT	FINISH 仕上	APVD K. ODA 30JUL02	NAME 名称 6Pos. ECONOSEAL J-MARK-II+ CONNECTOR PLUG HOUSING												
		PRODUCT SPEC 製品規格 108-5262	RESTRICTED TO												
		APPLICATION SPEC 取付適用規格	SIZE A3												
		WEIGHT 9.3 g	CAGE CODE 00779												
		CUSTOMER DRAWING	DRAWING NO 174262												
		SCALE 尺寸 2:1	SHEET 1 of 2												
			REV A2												

AMP 1470-19 REV 31MAR2000

4

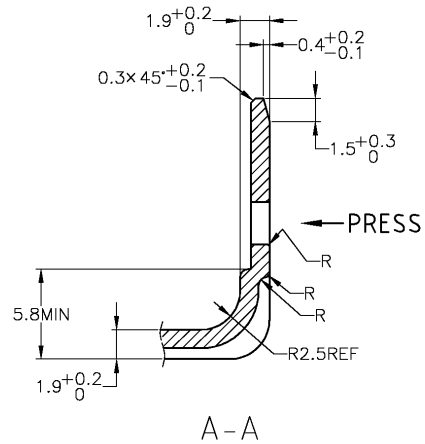
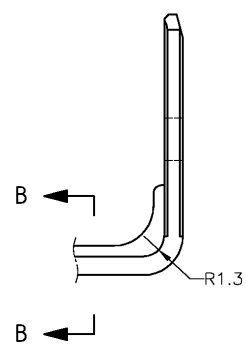
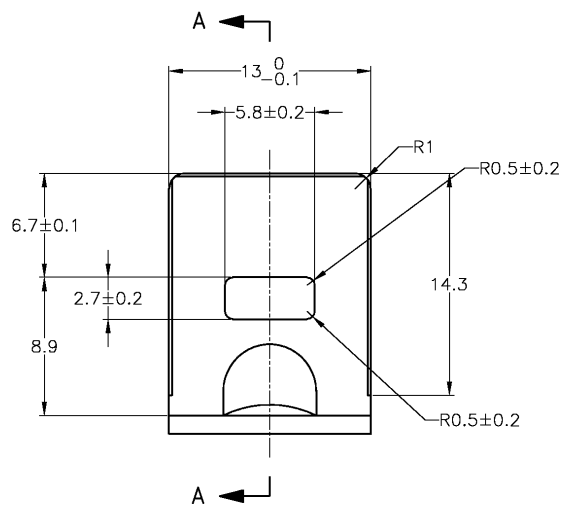
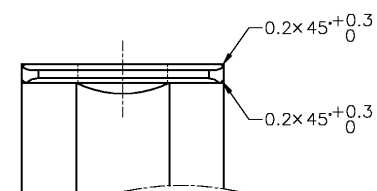
3

2

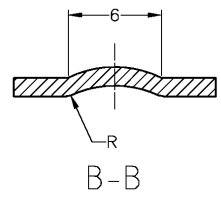
1

THIS DRAWING IS UNPUBLISHED. RELEASED FOR PUBLICATION  
 COPYRIGHT BY TYCO ELECTRONICS CORPORATION. ALL RIGHTS RESERVED.

LOC		DIST		REVISIONS			
J		-		変更			
P	LTR	DESCRIPTION		DATE	DWN	APVD	
A2	SEE 1 OF 2			-	-	-	



$t = 1.2 \pm 0.08$



TOLERANCE UNLESS OTHERWISE SPECIFIED:  
 一般公差

0 < x ≤ 10	: ±0.2
10 < x ≤ 30	: ±0.25
30 < x ≤ 100	: ±0.3
ANGLE	: ±3°

THIS DRAWING IS A CONTROLLED DOCUMENT.

DIMENSIONS: 単位: 精 MM	TOLERANCES UNLESS OTHERWISE SPECIFIED: 一般公差	DWN I. SHINOHARA 09FEB04	09FEB04	 Tyco Electronics AMP K.K. Kawasaki, Japan												
	<table border="1"> <tr><td>0 PLC</td><td>± -</td></tr> <tr><td>1 PLC</td><td>± -</td></tr> <tr><td>2 PLC</td><td>± -</td></tr> <tr><td>3 PLC</td><td>± -</td></tr> <tr><td>4 PLC</td><td>± -</td></tr> <tr><td>ANGLES</td><td>± -</td></tr> </table>	0 PLC	± -		1 PLC	± -	2 PLC	± -	3 PLC	± -	4 PLC	± -	ANGLES	± -	CHK K. BETSUI 09FEB04	09FEB04
0 PLC	± -															
1 PLC	± -															
2 PLC	± -															
3 PLC	± -															
4 PLC	± -															
ANGLES	± -															
MATERIAL 材料	FINISH 仕上	APVD K. BETSUI 09FEB04	PRODUCT SPEC 製品規格	6Pos. ECONOSEAL J-MARK-II+ CONNECTOR PLUG HOUSING												
		APPLICATION SPEC 応用運用規格	SIZE A3	CAGE CODE 00779												
		WEIGHT	DRAWING NO 174262	RESTRICTED TO -												
		CUSTOMER DRAWING	SCALE 尺度 4:1	SHEET 2 OF 2												
			REV A2													

AMP 1470-19 REV 31MAR2000

09JAN2004 3:25pm FJ02918B

S:\AMP-KawasakiEC\Automotive\en32\_automotive\u.a99-0187\ej-bracket\0052-04\c-174262-sh2.dwg